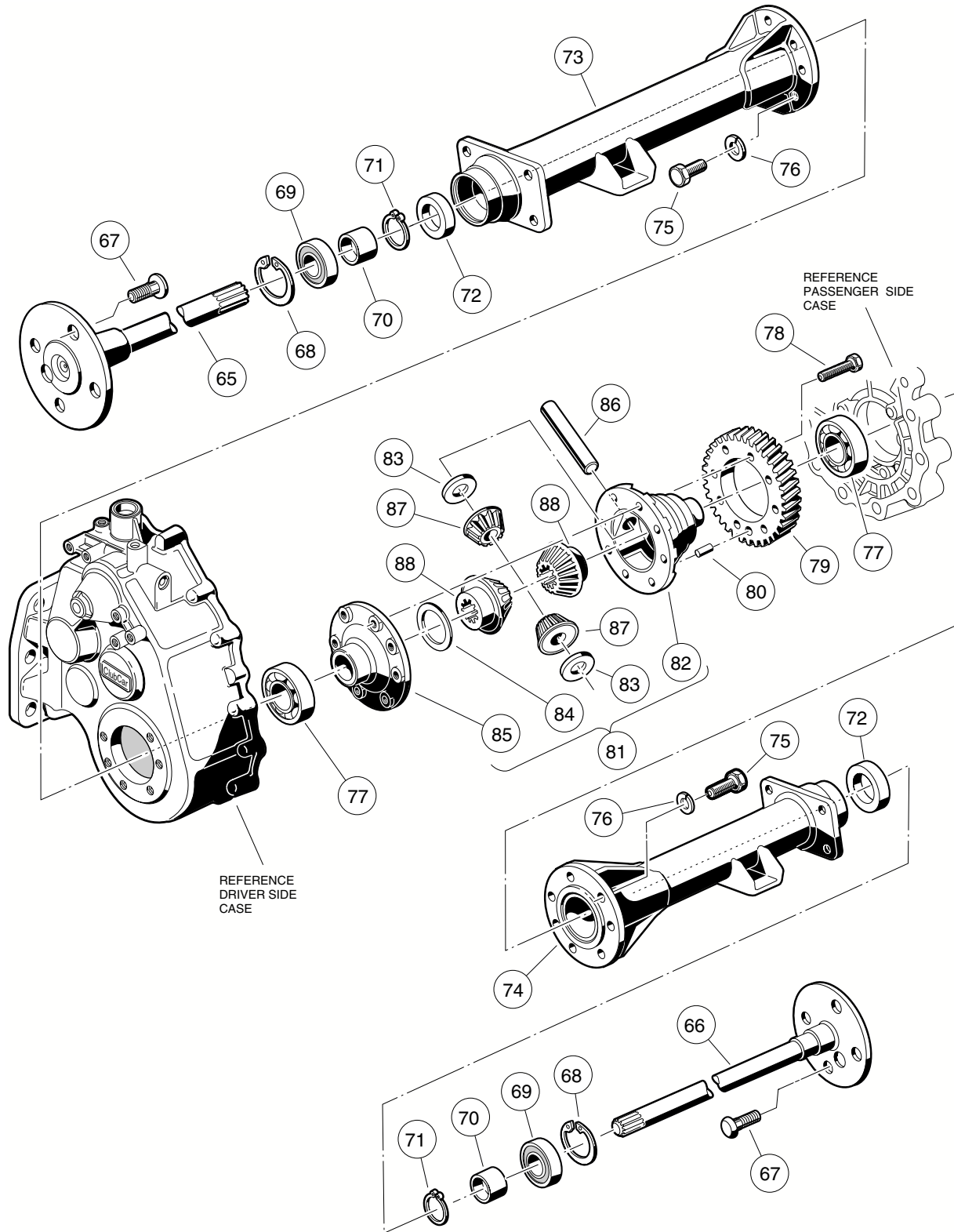


UNITIZED TRANSAXLE – F&R TRANSMISSION AND GEAR REDUCTION

ITEM	PART NO.	DESCRIPTION	QTY
		1 2 3 4	
33	101892001	Rod, Shift	1
34	101890001	Fork, Shift	1
35	1012748	Spring	1
36	1012747	Ball, Steel	1
37	101889401	Guide	1
38	7336	Bearing, Ball	2
39	1016338	Washer, Spring	2
40	101892401	Gear, Spur	1
41	101892201	Plate, Thrust	3
42	101980901	Gear Assembly, Input, 28 Tooth (16°)	1
43	101927601	Bearing, Needle	3
44	101927501	Bearing, Needle	1
45	101981001	Ring, Synchronizer (16°)	2
46	1012741	Spring, Synchronizer	2
47	101928001	Hub, Synchronizer Clutch	1
48	1012740	Insert, Synchronizer	3
49	101927901	Sleeve, Synchronizer	1
50	101927701	Pin, Dowel	1
51	101889901	Shaft, Input	1
52	101980801	Gear Assembly, Input, 25 Tooth (16°)	1
53	1016337	Washer, Thrust	1
54	101927801	Bearing, Ball	1
55	1012714	Seal, Oil, Input Shaft	1
56	101892601	Gear, 17 Tooth	1
57	101893201	Key	1
58	101892501	Gear, 61 Tooth	1
59	101928101	Bearing, Ball	1
60	101893901	Washer.....	1
61	101892301	Governor Assembly	1
62	101891601	Sleeve	1
63	101891901	Gear, Cluster Idler	1
64	7335	Bearing, Ball	2

11

G



UNITIZED TRANSAXLE – DIFFERENTIAL AND AXLES

ITEM	PART NO.	DESCRIPTION	QTY
		1 2 3 4	
65	101891501	Axle Assembly, Driver Side (Includes items 67 - 71)	1
66	101891401	Axle Assembly, Passenger Side (includes items 67 - 71)	1
67	1013787	Stud, Lug	4
68	1013792	Ring, Retaining	1
69	1011291	Bearing, Outer Axle Tube	1
70	1014207	Collar, 25 mm I. D.	1
71	1016672	Ring, Retaining	1
72	1013794	Seal, Oil	2
73	101891001	Assembly, Axle Tube, Driver Side	1
74	101890901	Assembly, Axle Tube, Passenger Side	1
75	1013790	Bolt, M10 x 1.5 x 30 mm	14
76	1013791	Washer, Lock, M10	14
77	7330	Bearing, Inner Axle Tube	2
78	101928301	Bolt, M8 x 1.25 x 37 mm	8
79	101892701	Gear, Output	1
80	1014193	Pin, Dowel	1
81	101910501	Kit, Differential Gear Case (includes items 82 - 85)	1
82	1013768	Case, Gear Carrier	1
83	1013774	Plate, Thrust (idler gear)	2
84	1013773	Plate, Thrust (differential gear)	1
85	1013769	Cover, Gear Case	1
86	1013772	Pin, Differential	1
87	1013770	Gear, Differential Idler	2
88	1013771	Gear, Differential	2

11

G

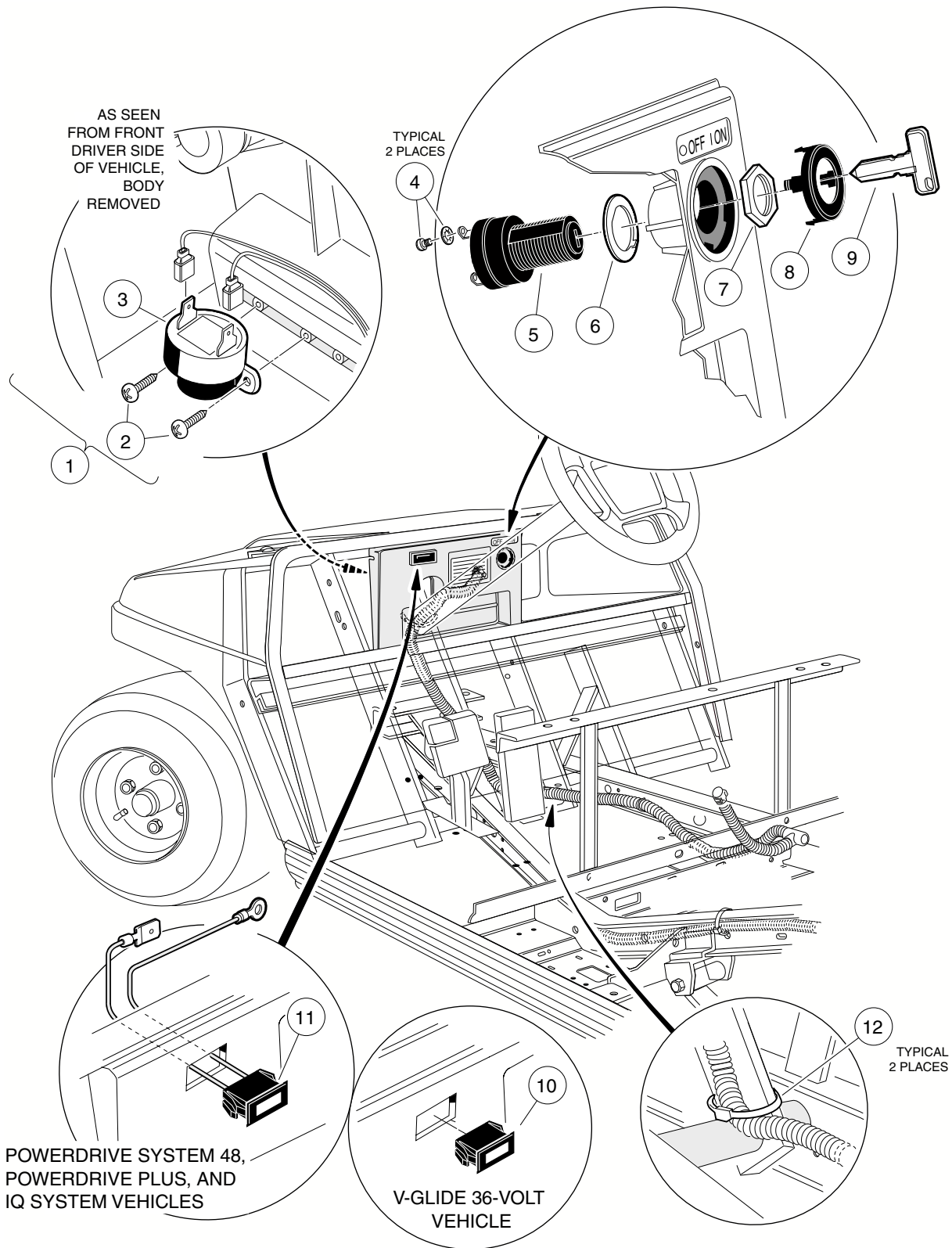
11

G

ELECTRICAL SYSTEM – ELECTRIC VEHICLE

12

E



ELECTRICAL COMPONENTS, FRONT BODY – ELECTRIC VEHICLE

ITEM	PART NO.	DESCRIPTION	QTY
		1 2 3 4	
1	1016859	Kit, Reverse Buzzer (includes items 2 and 3)	1
2	1016849	Screw, Pan Head Hi-Lo, #4-24 x 5/16	2
3	1016851	Buzzer, Reverse	1
4	101830601	Assembly, Screw and Washer	2
5	101826201	Switch, Key	1
6	101851101	Washer, Key Switch	1
7	101830701	Nut, Key Switch	1
8	101834502	Cap, Key Switch	1
9	1012505	Key (pair)	1
10	101802601	Plug, Hole (V-Glide 36-Volt vehicle only)	1
11	101935501	Light, Battery Warning (amber) (PowerDrive System 48, PowerDrive Plus, and IQ System)	1
12	8990	Tie, Wire	2

12

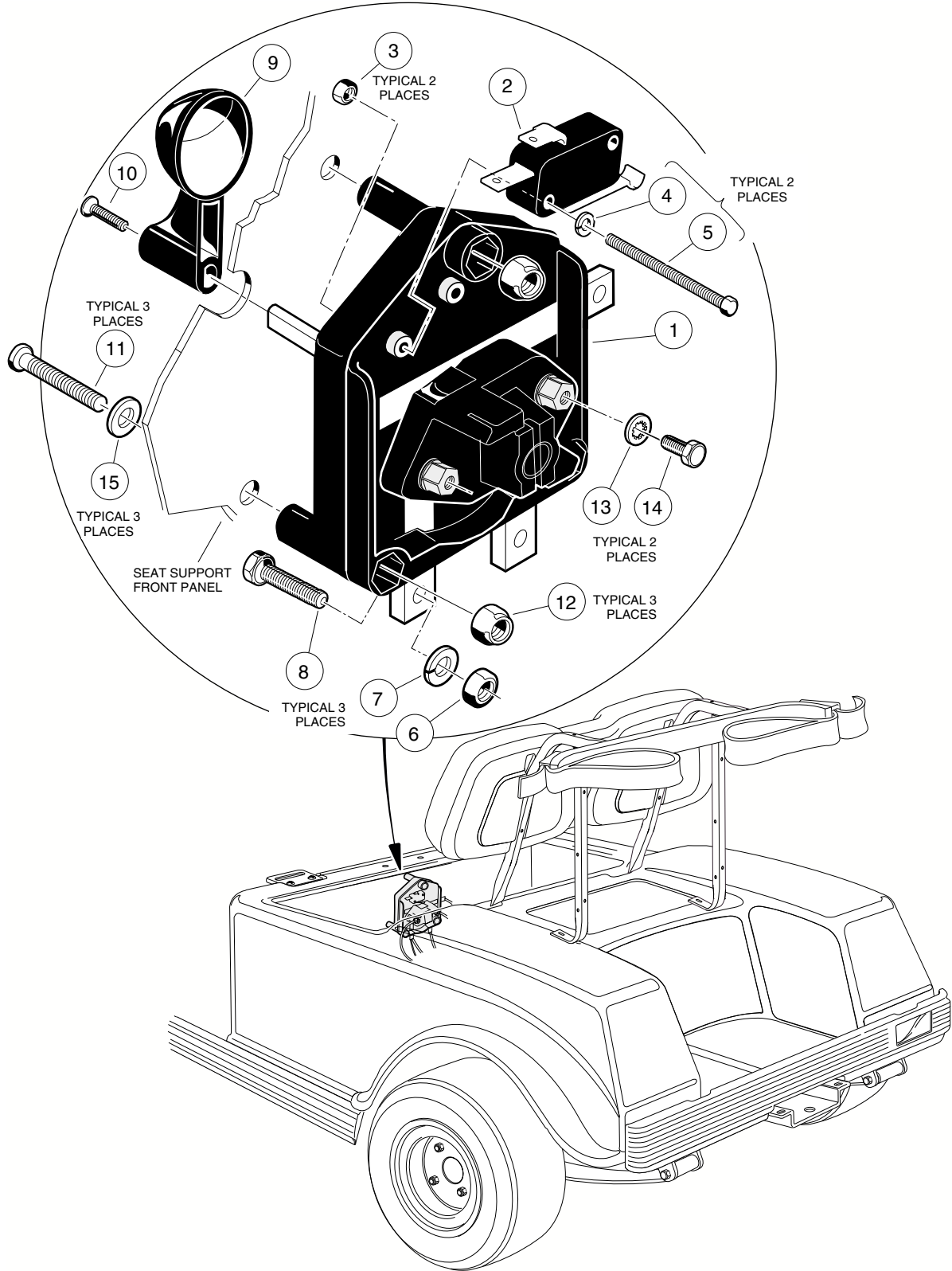
E

WIRING – V-GLIDE 36-VOLT VEHICLE

ITEM	PART NO.	DESCRIPTION	QTY
		1 2 3 4	
1	1016070	Wire Assembly, #6 Brown	1
2	1016069	Wire Assembly, #6 Purple	1
3	1012651	Wire Assembly, #6 Black	1
4	1016068	Wire Assembly, #6 Gray	1
5	1014036	Wire Assembly, #6 Black, 6th Speed	1
6	1014035	Wire Assembly, #6 Blue, 5th Speed	1
7	1014034	Wire Assembly, #6 Green, 4th Speed	1
8	1014033	Wire Assembly, #6 Yellow, 3rd Speed	1
9	1014032	Wire Assembly, #6 Orange, 2nd Speed	1
10	1014029	Wire Assembly, #6 White	1
11	1014030	Wire Assembly, #6 White, 1st Speed	1
12	1014828	Wire Assembly, #6 Green	1
13	N/A	Wire Assembly, #18 Black	1
14	1013092	Wire Assembly, #10 Red	1
15	N/A	Wire Assembly, #18 Orange	1
16	N/A	Wire Assembly, #18 White	1
17	N/A	Wire Assembly, #18 Green	1
18	102018001	Wire Assembly, #10 Red	1
19	1011010	Wire Assembly, #10 White	1
20	N/A	Wire Assembly, #18 Red	1
21	1014039	Wire Assembly, #6 White	1
22	N/A	Wire Assembly, #18 Blue	1
23	1011069	Wire Assembly, #6 Red	1
24	N/A	Wire Assembly, #18 Yellow	1
25	N/A	Wire Assembly, #18 Black	1
26	1010958	Wire Assembly, #6 Black	5

12

E

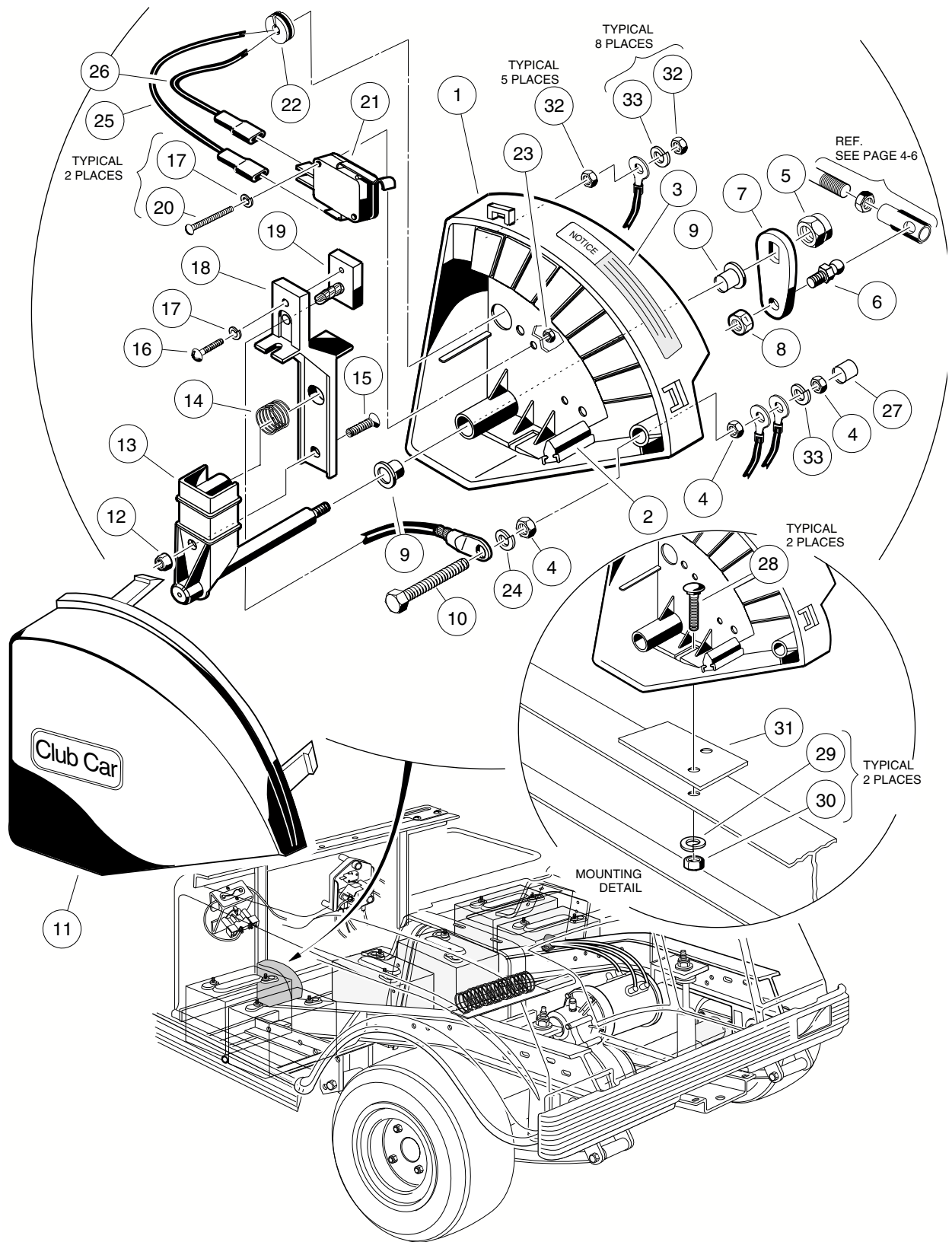


FORWARD/REVERSE SWITCH – V-GLIDE 36-VOLT VEHICLE

ITEM	PART NO.	DESCRIPTION	QTY
		1 2 3 4	
1	1011997	Assembly, Forward/Reverse Switch (includes items 2 - 5)	1
2	1014808	Switch, Limit	1
3	8057	Nut, Hex, #4-40	2
4	8058	Washer, Lock, #4	2
5	1016896	Screw, Hex Head Machine, #4-40 x 1-1/8	2
6	1028	Nut, Hex, 1/4-20	3
7	451	Washer, Lock, 1/4	3
8	304	Screw, Hex Head Cap, 1/4-20 x 1	3
9	1012987	Handle, Forward/Reverse Switch	1
10	1013198	Screw, Phillips Head Machine, #8-32 x 5/8	1
11	1016845	Screw, Phillips Truss Head, 1/4-20 x 2-1/8	3
12	8233	Nut, Nylon Lock, 1/4-20	3
13	8049	Washer, Internal Tooth Lock, #10	2
14	8450	Screw, Hex Head Machine, #10-24 x 1/2	2
15	1014528	Washer, Plastic, 1/4	3

12

E



WIPER SWITCH – V-GLIDE 36-VOLT VEHICLE

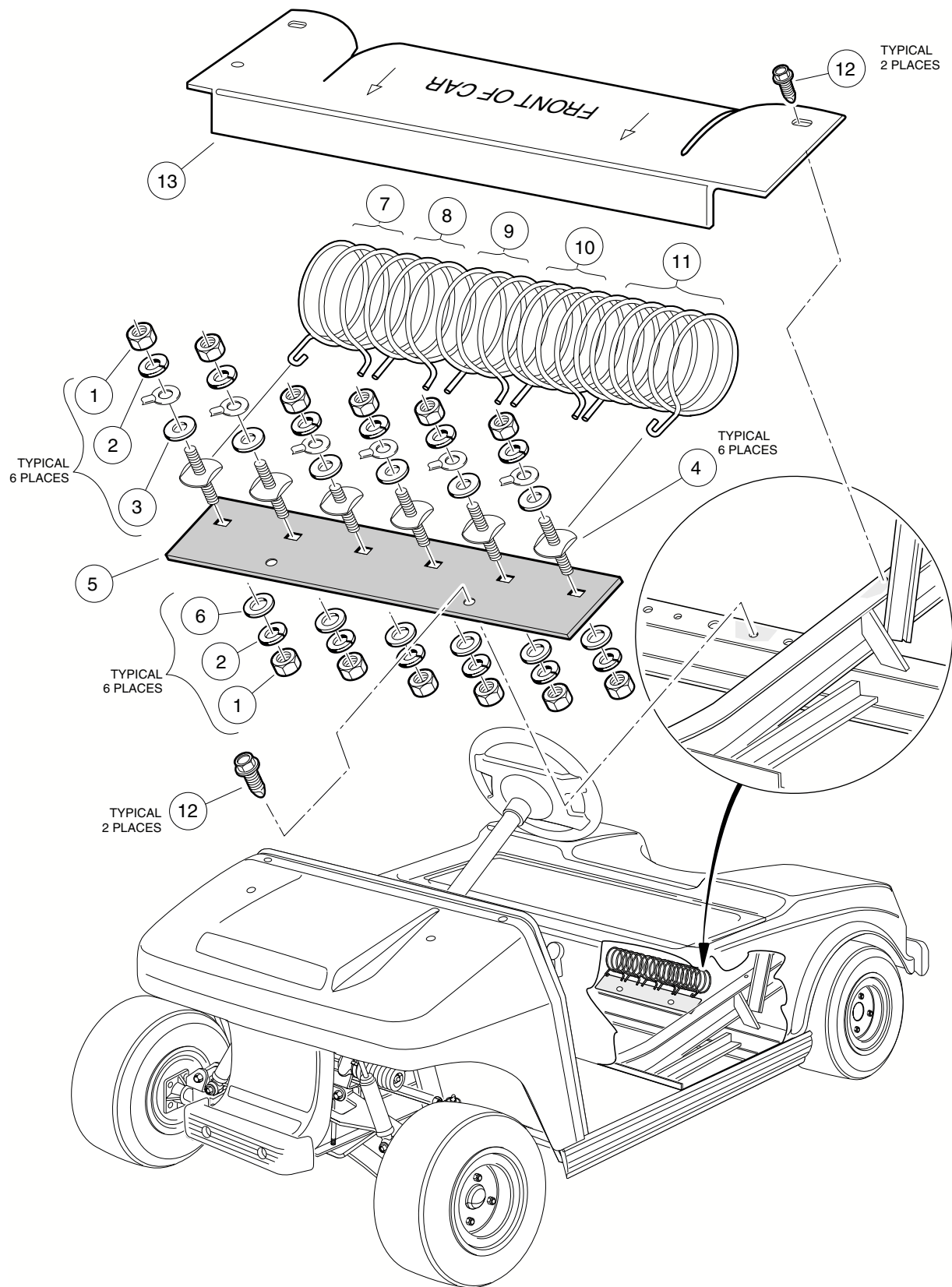
ITEM	PART NO.	DESCRIPTION	QTY
		1 2 3 4	
	1014735	Assembly, V-Glide Wiper Switch and Resistor Group (includes Wiper Switch Assembly listed below, Resistor and Board Assembly – items 1 - 11 on page 12-11, and connecting wires – items 5 - 11 on page 12-5)	1
	1016140	Assembly, V-Glide Wiper Switch (includes items 1 - 27)	1
1	1014999	Assembly, Wiper Switch Case, 6-Speed (includes items 2 and 3)	1
2	1014414	Bumper, Wiper Switch	1
3	101610901	Decal, Wiper Switch Warning	1
4	1014253	Nut, Brass Hex Jam, 1/4-20	3
5	7473	Nut, Nylon Lock, 5/16-18	1
6	1012353	Stud, Short Ball, 1/4-28	1
7	1014003	Crank, Bell	1
8	8449	Nut, Dimpled Lock, 1/4-28	1
9	1012903	Bearing, Bronze, 3/8 x 1/2	2
10	1014189	Screw, Bronze Hex Head Cap, 1/4-20 x 2	1
11	1013886	Cover, Wiper Switch Case	1
12	1013061	Nut, Nylon Lock, #10-32	1
13	1014017	Carrier, Wiper Switch Arm	1
14	1013998	Spring, Wiper Switch Brush	1
15	1014000	Stud, Wiper Switch Adjusting	1
16	1014019	Screw, Self-Tapping, #4-40 x 3/8	1
17	8058	Washer, Lock, #4	3
18	1013887	Arm, Speed Switch	1
19	1013860	Assembly, Switch Brush	1
20	8056	Screw, Round-Head Machine, #4-40 x 3/4	2
21	1014807	Switch, Limit	1
22	1014010	Grommet, Split	1
23	8057	Nut, Hex, #4-40	2
24	451	Washer, Lock, 1/4	1
25	N/A	Wire Assembly, #18 Black	1
26	N/A	Wire Assembly, #18 Green	1
27	1017692	Cap, Protector	1
28	1014109	Bolt, Round-Head Square-Neck, #10-24 x 1	2
29	1016175	Washer, Lock, #10	2
30	1017	Nut, Hex, #10-24	2
31	101949201	Shim, Wiper Switch	1
32	1028	Nut, Hex, 1/4-20	13
33	451	Washer, Lock, 1/4	9

12

E

12

E

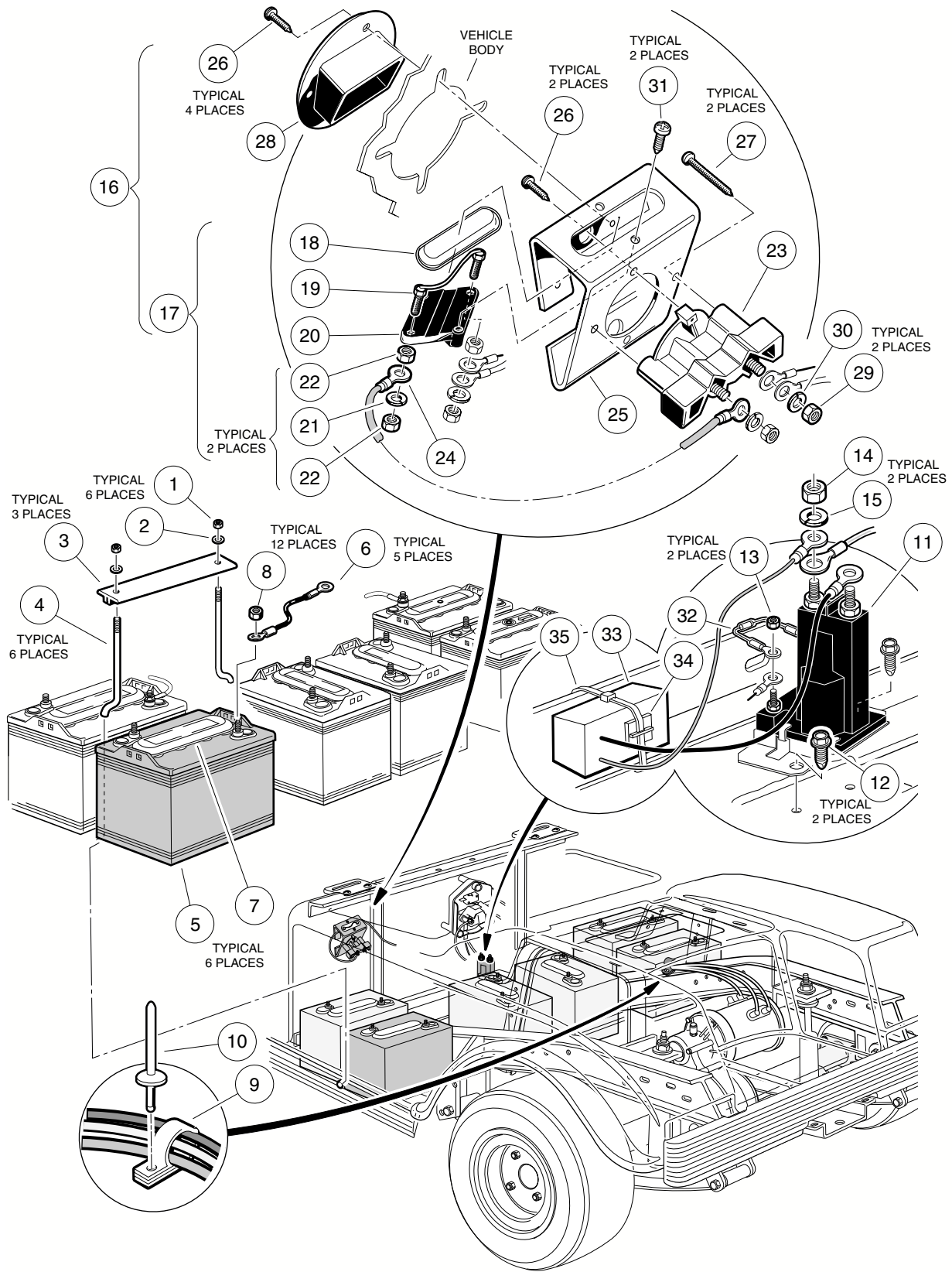


RESISTOR AND BOARD ASSEMBLY – V-GLIDE 36-VOLT VEHICLE

ITEM	PART NO.	DESCRIPTION	QTY
		1 2 3 4	
1	1028	Nut, Hex, 1/4-20	12
2	451	Washer, Lock, 1/4	12
3	1011931	Washer, Flat, 1/4	6
4	1014045	Stand-Off, Resistor Coil	6
5	1014728	Board, Resistor Mounting	1
6	332	Washer, Flat, 1/4	6
7	1014476	Coil, Resistor, 5th Speed, .182" Wire Diameter, 3-Coil	1
8	1014012	Coil, Resistor, 4th Speed, .162" Wire Diameter, 3-Coil	1
9	1014013	Coil, Resistor, 3rd Speed, .144" Wire Diameter, 3-Coil	1
10	1014014	Coil, Resistor, 2nd Speed, .128" Wire Diameter, 4-Coil	1
11	1014729	Coil, Resistor, 1st Speed, .128" Wire Diameter, 6-Coil	1
12	1012285	Screw, Thread-Rolling, 1/4-20 x 5/8	4
13	1013971	Shield, Resistor	1

12

E

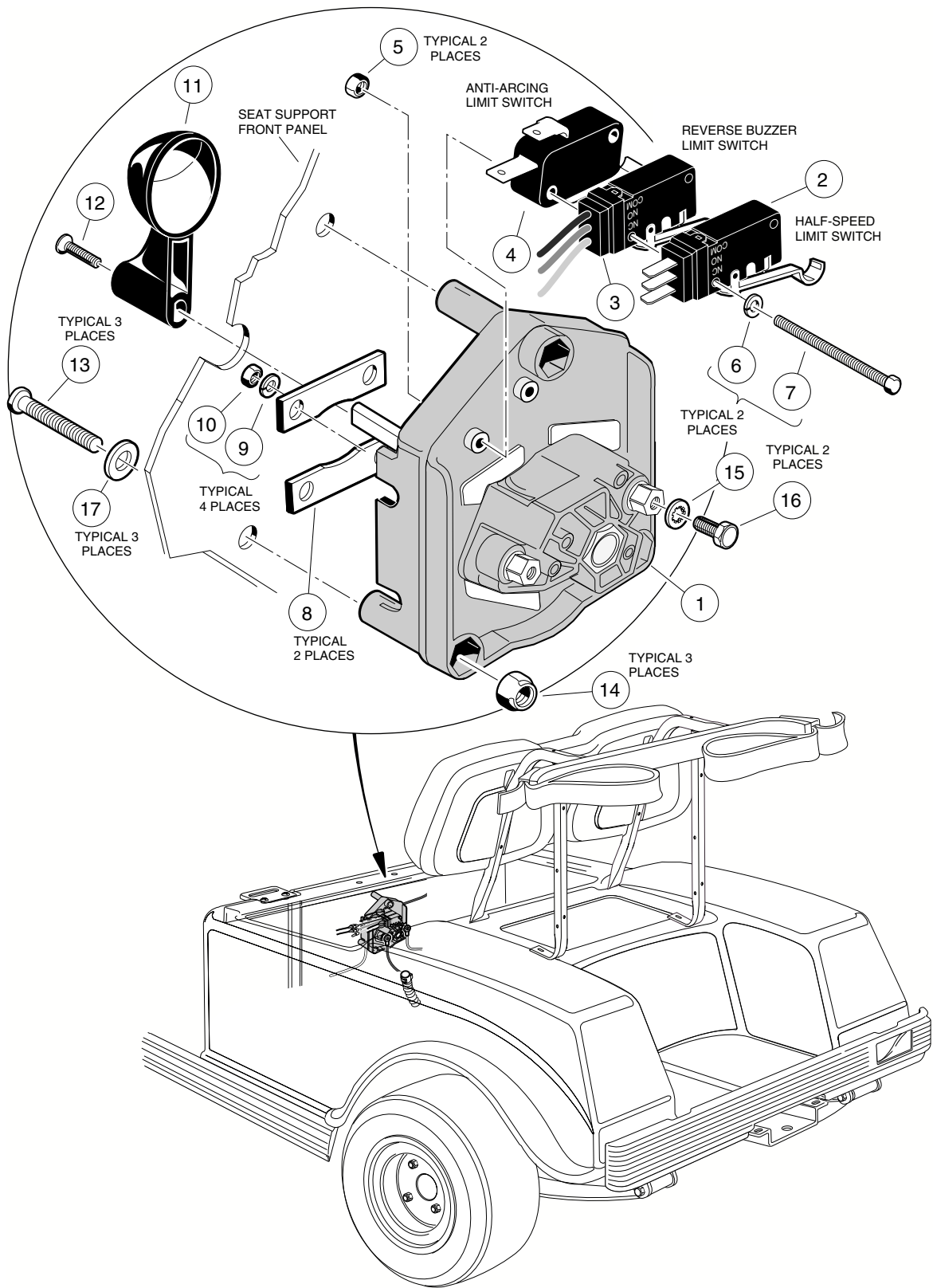


BATTERIES, CHARGER RECEPTACLE, SOLENOID – V-GLIDE 36-VOLT VEHICLE

ITEM	PART NO.	DESCRIPTION	QTY
		1 2 3 4	
1	1015072	Nut, Nylon Lock, Stainless Steel, 5/6-18	6
2	1011578	Washer, Flat, Type B Wide, 5/16	6
3	101090801	Hold-Down, Battery	3
4	1013683	J-Bolt	6
5	101661601	Battery, 6-Volt	6
5	101661602	Battery, 6-Volt, Dry	6
6	1010958	Wire Assembly, #6 Black	5
7	101831401	Cap, 6-Volt Battery	6
8	1014304	Nut, Hex, Stainless Steel, 5/6-18	12
9	1012022	Clamp, Cable	2
10	1606	Rivet, Pop, 3/16	2
11	101975901	Solenoid, 36-Volt	1
12	1012285	Screw, Thread-Rolling, 1/4-20 x 5/8	2
13	7893	Nut, Hex, #10-32	2
14	1010521	Nut, Hex, 5/16-24	2
15	7174	Washer, Lock, 5/16	2
16	101342501	Kit, Fuse and Receptacle (includes items 17 - 31)	1
17	1014516	Kit, Fuse (includes items 18 - 22)	1
18	N/A	Lens, Fuse	1
19	N/A	Fuse, 80-Amp	1
20	N/A	Holder, Fuse	1
21	1016	Washer, Lock, #10	2
22	8797	Nut, Brass, #10-32	4
23	4107	Receptacle, Charger, 2-Prong	1
24	1013092	Wire Assembly, #10 Red	1
25	1013628	Bracket, Fuse and Receptacle Mounting	1
26	8796	Screw, Phillips Pan Head Self-Tapping, #7-19 x 3/4	6
27	8795	Screw, Phillips Pan Head Self-Tapping, #7-19 x 1-3/4	2
28	1013649	Bezel, Charger Receptacle	1
29	8797	Nut, Brass, #10-32	2
30	1016	Washer, Lock, #10	2
31	1013266	Screw, Phillips Pan Head Self-Tapping, #8-18 x 1/2	2
32	1014948	Diode	1
33	102047201	Snubber	1
34	102048301	Base, Mounting	1
35	8639	Tie, Wire	1

12

E

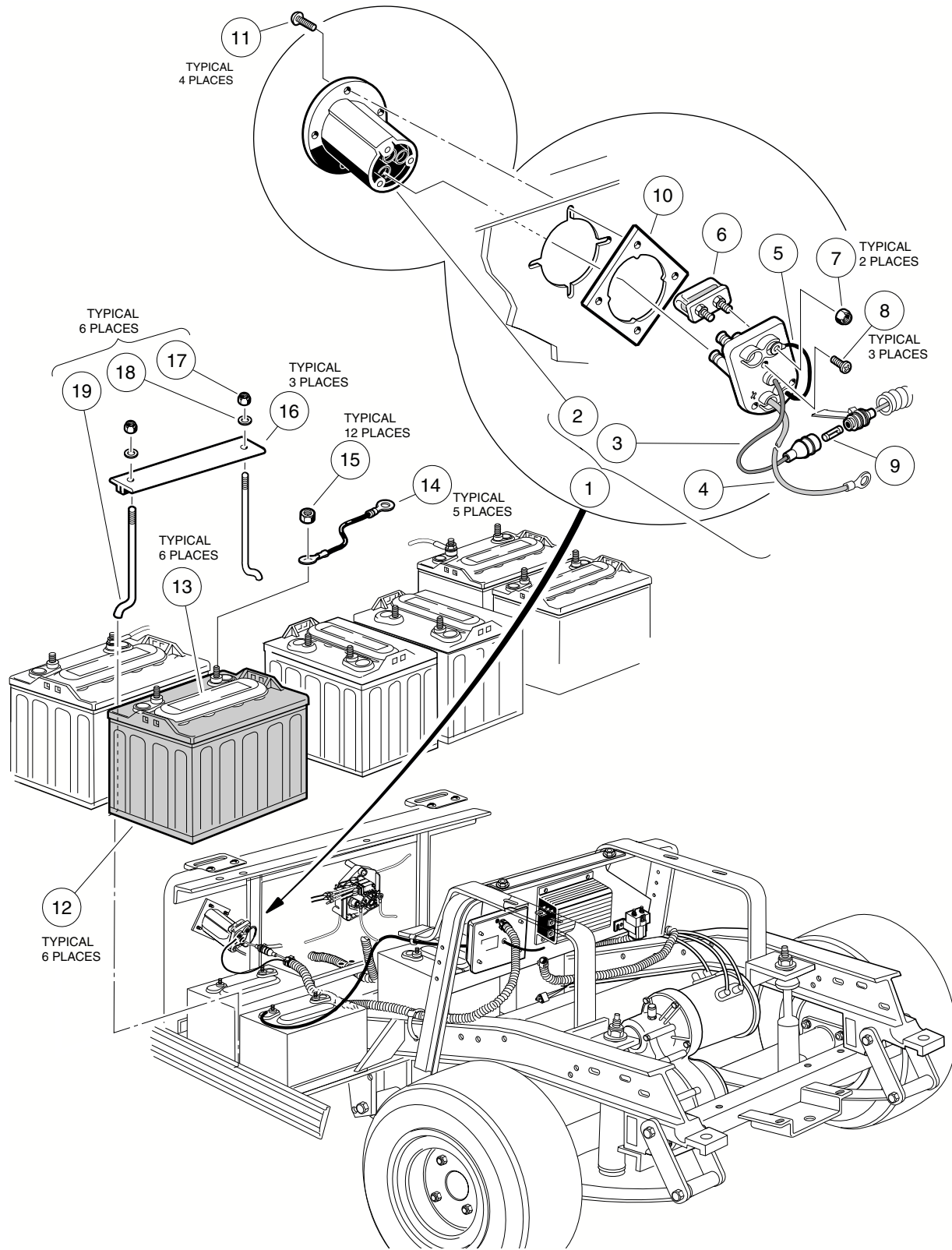


FORWARD/REVERSE SWITCH – POWERDRIVE SYSTEM 48 VEHICLE

ITEM	PART NO.	DESCRIPTION	QTY
		1 2 3 4	
1	101753005	Assembly, Forward/Reverse Switch (includes items 2 - 10)	1
2	101977101	Switch, Limit, Sealed	1
3	101979101	Switch, Limit, Sealed	1
4	1014808	Switch, Limit	1
5	8057	Nut, Hex, #4-40	2
6	8058	Washer, Lock, #4	2
7	1014871	Screw, Hex Washer Head, #4-40 x 2	2
8	1017799	Bar, Bus	2
9	451	Washer, Lock, 1/4	4
10	1028	Nut, Hex, 1/4-20	4
11	1012987	Handle, Forward/Reverse Switch	1
12	1013198	Screw, Phillips Head Machine, #8-32 x 5/8	1
13	1016845	Screw, Phillips Truss Head, 1/4-20 x 2-1/8	3
14	8233	Nut, Nylon Lock, 1/4-20	3
15	8049	Washer, Internal Tooth Lock, #10	2
16	8450	Screw, Hex Head Machine, #10-24 x 1/2	2
17	1014528	Washer, Plastic, 1/4	3

12

E



BATTERIES, CHARGER RECEPTACLE – POWERDRIVE SYSTEM 48 VEHICLE

ITEM	PART NO.	DESCRIPTION	QTY
		1 2 3 4	
1	101802101	Kit, Fuse and Receptacle (includes items 2 - 9)	1
2	101796501	Bezel, Receptacle	1
3	N/A	Wire Assembly, Sense Lead, Gray	1
4	N/A	Wire Assembly, #10 Red	1
5	N/A	Wire Assembly, #10 Black	1
6	101796801	Assembly, Fuse, 48-Volt (includes item 7)	1
7	1013061	Nut, Nylon Lock, #10	2
8	1017705	Screw, Phillips Pan Head, #8 Type AB	3
9	101894901	Fuse, 3/8-Amp	1
10	101801001	Plate, Receptacle Backing	1
11	101832001	Screw, Phillips Pan Head, #7-18 x 3/4	4
12	101797701	Battery, 8-Volt PowerDrive (includes item 13)	6
12	101797702	Battery, 8-Volt PowerDrive, Dry (includes item 13)	6
13	101797801	Cap, Battery, 4-Port Gang	1
14	101795701	Wire Assembly, #6 Black	5
15	1014304	Nut, Hex, Stainless Steel, 5/16-18	12
16	101090801	Hold-Down, Battery	3
17	1015072	Nut, Nylon Lock, Stainless Steel, 5/16-18	6
18	1011578	Washer, Flat, Type B Wide, 5/16	6
19	1013683	J-Bolt	6

12

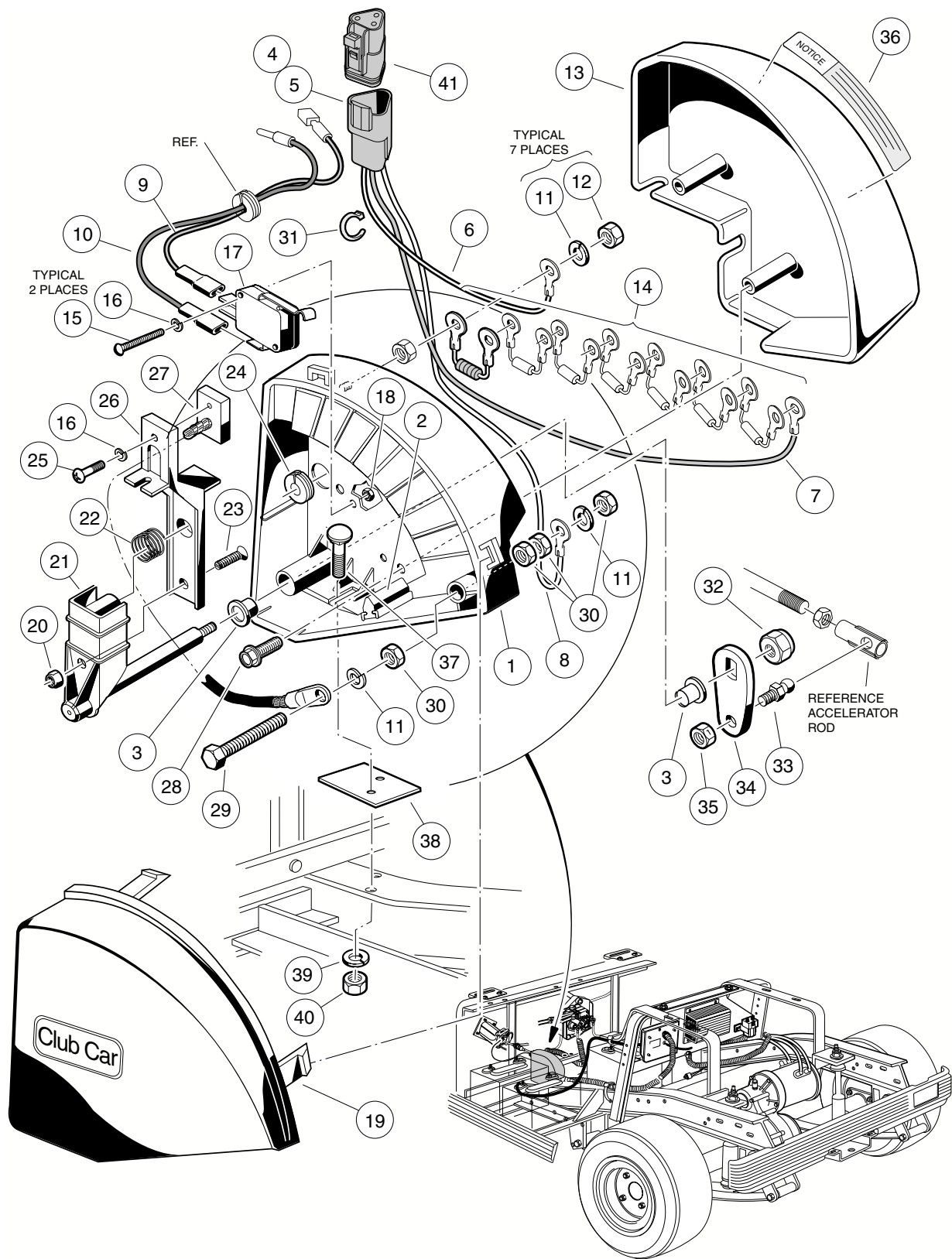
E

COMPUTER, CONTROLLER, AND SOLENOID – POWERDRIVE SYSTEM 48 VEHICLE

ITEM	PART NO.	DESCRIPTION	QTY
		1 2 3 4	
1	101965201	Plate, Component Mounting	1
2	1014288	Screw, Thread-Forming, 5/16-18 x 3/4	2
3	101908701	Solenoid, 48-Volt (with diode) (includes items 4 - 8)	1
4	1011558	Nut, Hex, #6-32	2
5	N/A	Washer, Flat	2
6	N/A	Washer, Lock	2
7	1012528	Nut, Hex, M8	2
8	7174	Washer, Lock, 5/16	2
9	1014947	Assembly, Resistor	1
10	1242	Nut, Hex, 5/16-18	3
11	7174	Washer, Lock, 5/16	3
12	1012285	Screw, Thread-Rolling, 1/4-20 x 5/8	10
13	101840201	Controller, 48-Volt (225-amp)	1
14	1241	Washer, Flat, 5/16	6
15	7173	Screw, Hex Head Cap, 5/16-18 x 3/4	2
16	1218	Screw, Hex Head Cap, 5/16-18 x 1-1/4	1
17	101909901	Computer, Onboard (includes item 18)	1
18	101942301	Kit, 3-Pin Receptacle	1
19	101920101	Kit, 3-Pin Plug Assembly	1
20	101827801	Kit, Wire and Terminal, #6 Black	1
21	1014948	Assembly, Diode (Service Part replacement for existing diode that comes standard with solenoid)	1
22	101910401	Screw, Thread-Forming, 5/16-18 x 1-1/4	2

12

E



MULTI-STEP POTENTIOMETER – POWERDRIVE SYSTEM 48 AND POWERDRIVE PLUS

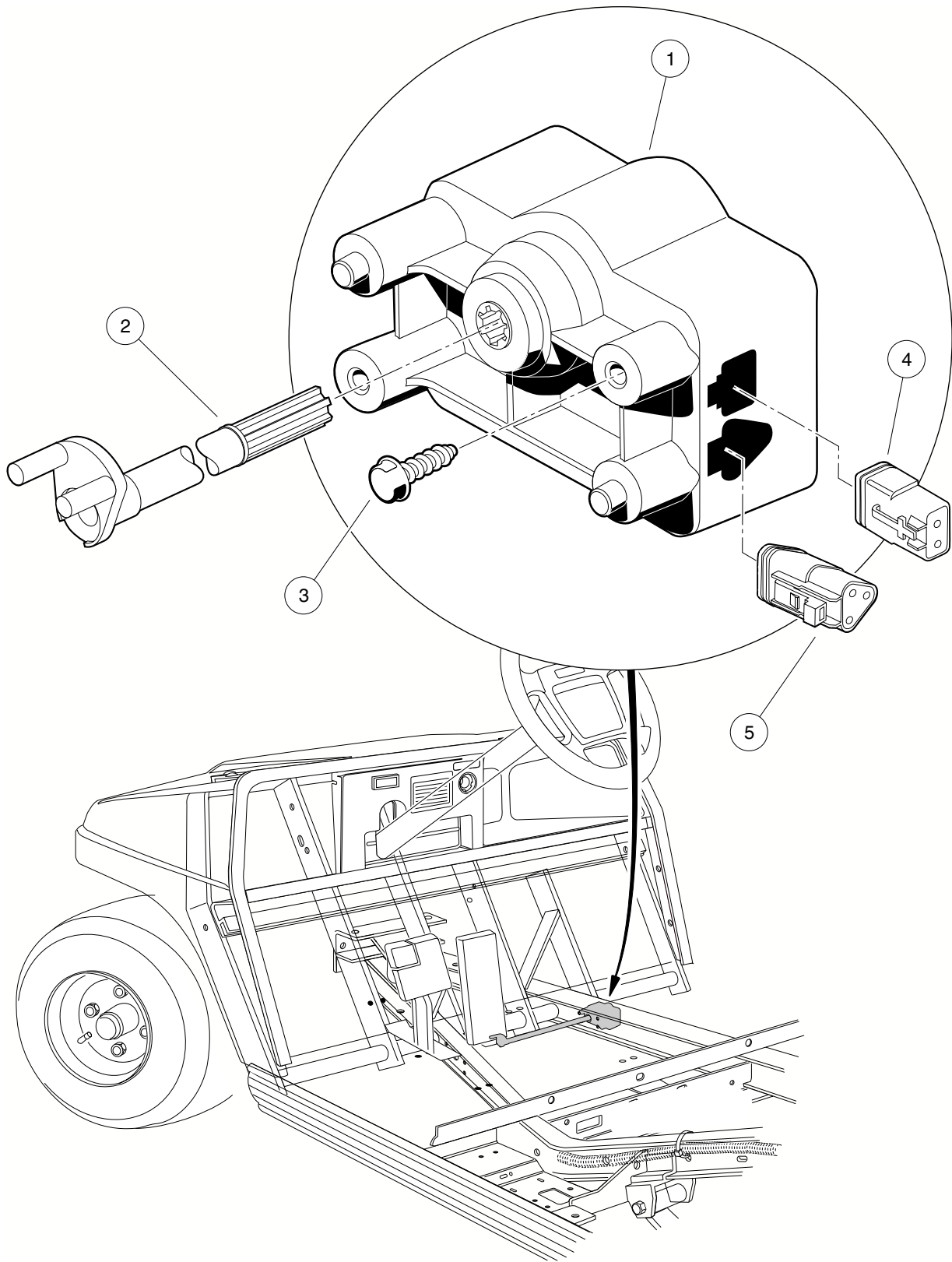
ITEM	PART NO.	DESCRIPTION	QTY
		1 2 3 4	
		2001 DS PowerDrive System 48 and PowerDrive Plus vehicles with serial numbers prior to AA0112-001470 use a multi-step potentiometer (shown here). For vehicles with serial numbers greater than AA0112-001470, see page 23.	
	101932001	Assembly, Wiper Switch (includes items 1 - 36)	1
1	1014999	Assembly, Wiper Switch Case, 6-Speed (includes items 2 and 3)	1
2	1014414	Bumper, Wiper Switch	1
3	1012903	Bearing, Bronze	2
4	101932801	Assembly, 3-Wire and Receptacle (includes items 5 - 8)	1
5	101942301	Kit, 3-Pin Receptacle	1
6	N/A	Wire Assembly, #18 White/Black	1
7	N/A	Wire Assembly, #18 Purple	1
8	N/A	Wire Assembly, #18 Yellow	1
9	N/A	Wire Assembly, #18 Green/White	1
10	N/A	Wire Assembly, #18 Blue	1
11	451	Washer, Lock, 1/4	9
12	1028	Nut, Hex, 1/4-20	7
13	101946901	Protector, Wiper Switch Resistor	1
14	101971101	Kit, Resistor Assembly	1
15	8056	Screw, Round Head Machine, #4-40 x 3/4	2
16	8058	Washer, Lock, #4	3
17	1014807	Switch, Limit.....	1
18	8057	Nut, Hex, #4-40	2
19	1013886	Cover, Wiper Switch	1
20	1013061	Nut, Nylon Lock, #10-32	1
21	1014017	Carrier, Wiper Switch Arm	1
22	1013998	Spring, Wiper Switch Brush	1
23	1014000	Stud, Wiper Switch Adjusting	1
24	1014010	Grommet, Split	1
25	1014019	Screw, Self-Tapping, #4-40 x 3/8	1
26	1013887	Arm, Speed Switch	1
27	1013860	Assembly, Switch Brush	1
28	1013461	Screw, Hex Head Hi-Lo, #10-16 x 1/2	2
29	1014189	Screw, Hex Head Cap, 1/4-20 x 2	1
30	1014253	Nut, Brass Hex Jam, 1/4-20	4
31	8990	Tie, Wire	1
32	7473	Nut, Nylon Lock, 5/16-18	1
33	1012353	Stud, Short Ball, 1/4-28	1
34	1014003	Crank, Bell	1
35	8449	Nut, Dimpled Lock, 1/4-28	1
36	101610901	Decal, Wiper Switch Warning	1
37	1014109	Bolt, Round-Head Square-Neck, #10-24 x 1.....	2
38	101949201	Shim, Wiper Switch	1
39	1016175	Washer, Lock, #10	2
40	1017	Nut, Hex, #10-24	2
41	101920101	Kit, 3-Pin Plug Assembly	1

12

E

12

E

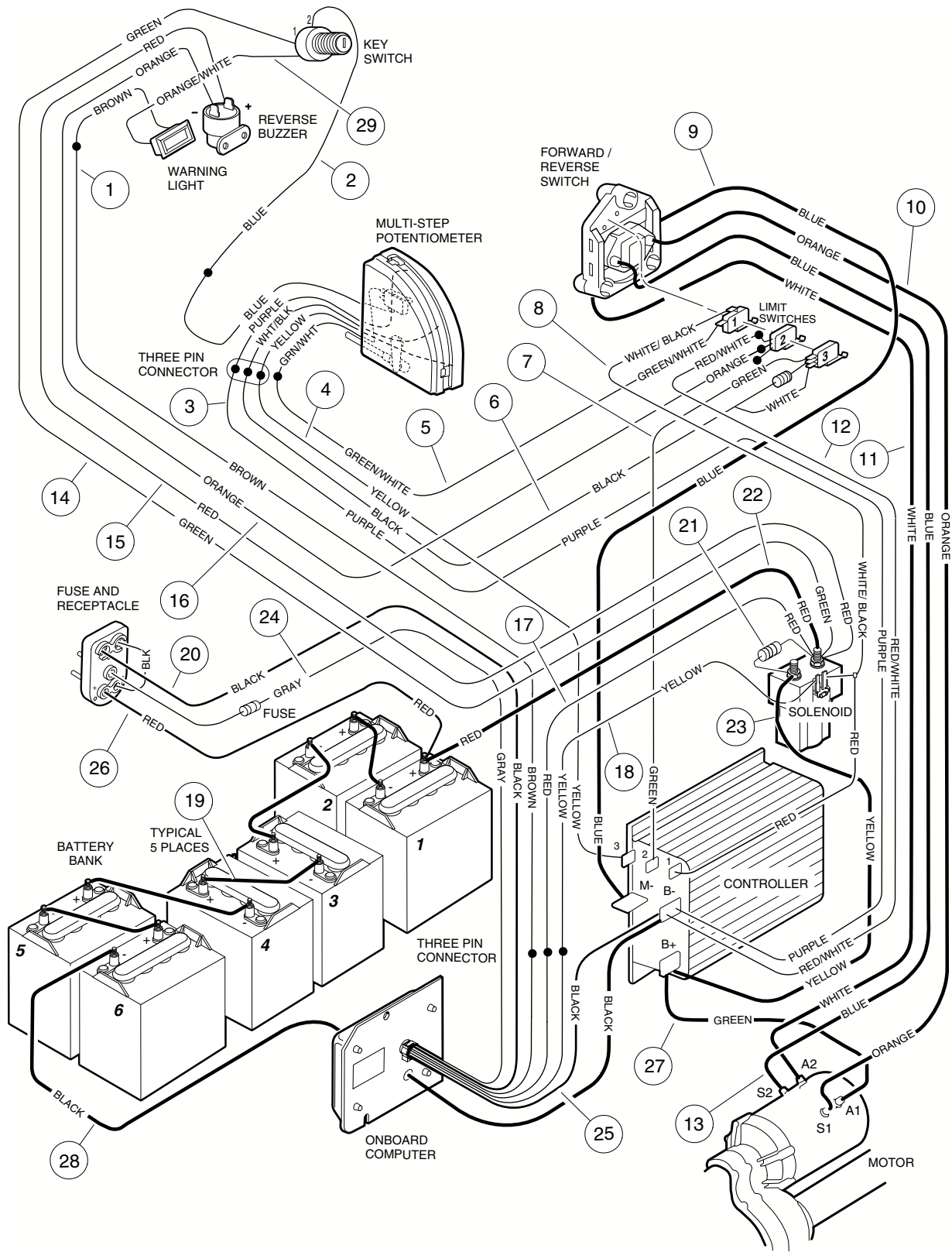


MOTOR CONTROLLER OUTPUT REGULATOR (MCOR)

ITEM	PART NO.	DESCRIPTION	QTY
		<p>1 2 3 4</p> <p>The 2001 DS PowerDrive System 48 and PowerDrive Plus vehicles with serial numbers AA0112-001470 and greater use a motor controller output regulator (MCOR) (shown here). For vehicles with serial numbers lower than AA0112-001470, see page 21.</p> <p>All 2002 DS PowerDrive System 48 and IQ System vehicles are equipped with a motor controller output regulator (MCOR) (shown here).</p>	
1	102101101	Regulator, Motor Controller Output (MCOR)	1
2	102101001	Bar, Drive	1
3	1015752	Screw, Hex Head, Hi-Lo, #12-16 x 5/8	2
4	101936801	Kit, 2-Pin Plug Assembly	1
5	101920101	Kit, 3-Pin Plug Assembly	1

12

E

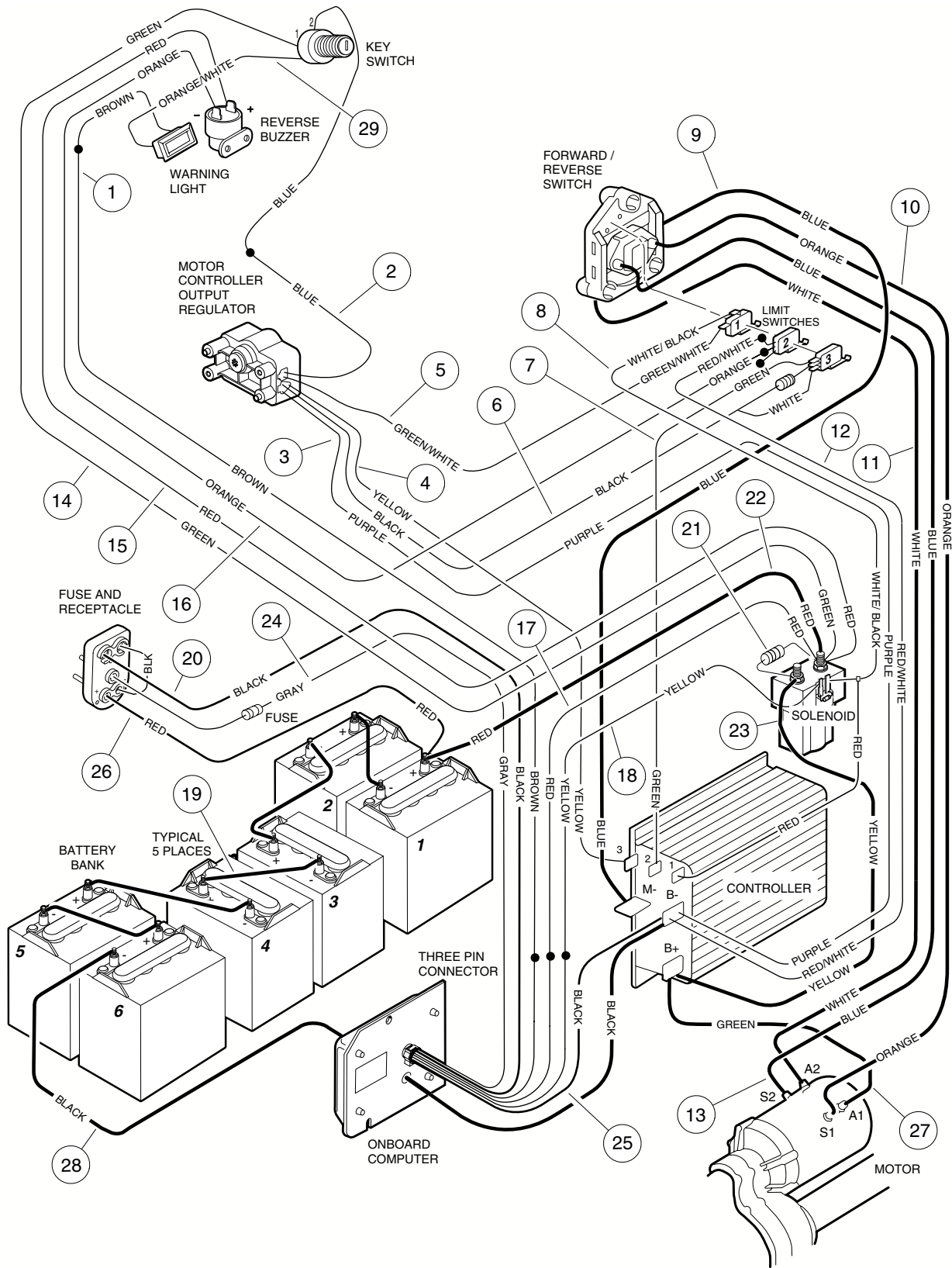


WIRING – POWERDRIVE SYSTEM 48 VEHICLE WITH MULTI-STEP POTENTIOMETER

ITEM	PART NO.	DESCRIPTION	QTY
		1 2 3 4	
	102052503	Wire Harness (includes items 1 - 18)	1
1	N/A	Wire Assembly, #18 Brown	1
2	N/A	Wire Assembly, #18 Blue	1
3	N/A	Wire Assembly, #18 Purple	1
4	N/A	Wire Assembly, #18 Yellow	1
5	N/A	Wire Assembly, #18 Green/White	1
6	101883002	Wire Assembly, #18 Black (includes resistor and #18 white wire)	1
7	N/A	Wire Assembly, #18 Green	1
8	N/A	Wire Assembly, #18 White/Black and #18 Red	1
9	101901401	Wire Assembly, #6 Blue	1
10	101901201	Wire Assembly, #6 Orange	1
11	101901501	Wire Assembly, #6 White	1
12	N/A	Wire Assembly, #18 Red/White	1
13	101901301	Wire Assembly, #6 Blue	1
14	N/A	Wire Assembly, #18 Green	1
15	N/A	Wire Assembly, #18 Red	1
16	N/A	Wire Assembly, #18 Orange	1
17	N/A	Wire Assembly, #18 Red	1
18	N/A	Wire Assembly, #18 Yellow	1
19	101795701	Wire Assembly, #6 Black	5
20	N/A	Wire Assembly, #10 Black (part of onboard computer assembly)	1
21	1014947	Assembly, Resistor	1
22	101902801	Wire Assembly, #6 Red	1
23	101903001	Wire Assembly, #6 Yellow	1
24	N/A	Wire Assembly, #18 Gray (part of onboard computer assembly)	1
25	N/A	Wire Assembly, #10 Black (part of onboard computer assembly)	1
26	N/A	Wire Assembly, #10 Red (part of fuse and receptacle assembly)	1
27	101902901	Wire Assembly, #6 Green	1
28	N/A	Wire Assembly, #6 Black (part of onboard computer assembly)	1
29	N/A	Wire Assembly, #18 Orange/White (part of battery warning light)	1

12

E

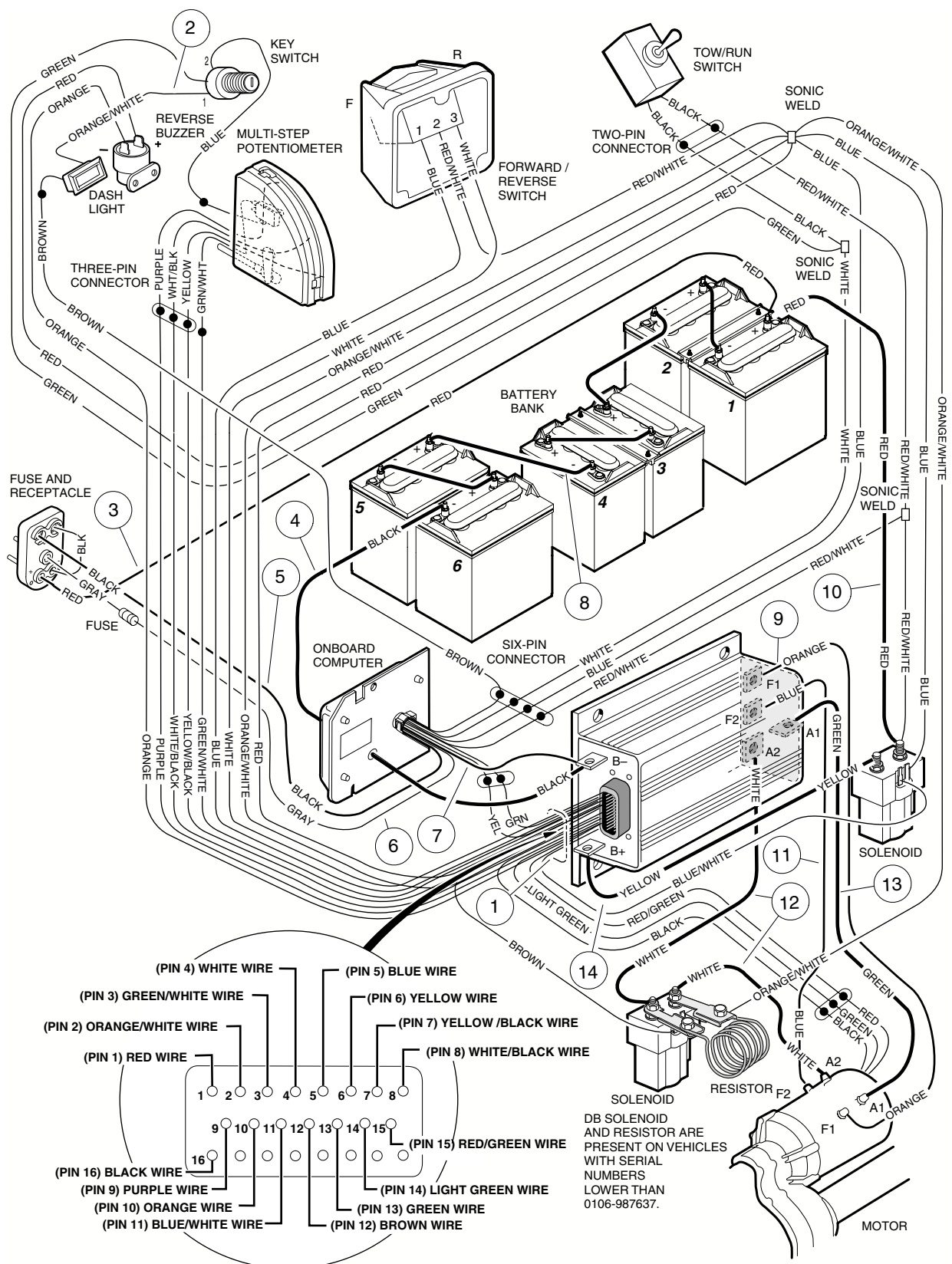


WIRING – POWERDRIVE SYSTEM 48 VEHICLE WITH MOTOR CONTROLLER OUTPUT REGULATOR (MCOR)

ITEM	PART NO.	DESCRIPTION	QTY
		1 2 3 4	
	102162101	Wire Harness (includes items 1 - 18)	1
1	N/A	Wire Assembly, #18 Brown	1
2	N/A	Wire Assembly, #18 Blue	1
3	N/A	Wire Assembly, #18 Purple	1
4	N/A	Wire Assembly, #18 Yellow	1
5	N/A	Wire Assembly, #18 Green/White	1
6	101883002	Wire Assembly, #18 Black (includes resistor and #18 white wire)	1
7	N/A	Wire Assembly, #18 Green	1
8	N/A	Wire Assembly, #18 White/Black and #18 Red	1
9	101901401	Wire Assembly, #6 Blue	1
10	101901201	Wire Assembly, #6 Orange	1
11	101901501	Wire Assembly, #6 White	1
12	N/A	Wire Assembly, #18 Red/White	1
13	101901301	Wire Assembly, #6 Blue	1
14	N/A	Wire Assembly, #18 Green	1
15	N/A	Wire Assembly, #18 Red	1
16	N/A	Wire Assembly, #18 Orange	1
17	N/A	Wire Assembly, #18 Red	1
18	N/A	Wire Assembly, #18 Yellow	1
19	101795701	Wire Assembly, #6 Black	5
20	N/A	Wire Assembly, #10 Black (part of onboard computer assembly)	1
21	1014947	Assembly, Resistor	1
22	101902801	Wire Assembly, #6 Red	1
23	101903001	Wire Assembly, #6 Yellow	1
24	N/A	Wire Assembly, #18 Gray (part of onboard computer assembly)	1
25	N/A	Wire Assembly, #10 Black (part of onboard computer assembly)	1
26	N/A	Wire Assembly, #10 Red (part of fuse and receptacle assembly)	1
27	101902901	Wire Assembly, #6 Green	1
28	N/A	Wire Assembly, #6 Black (part of onboard computer assembly)	1
29	N/A	Wire Assembly, #18 Orange/White (part of battery warning light)	1

12

E

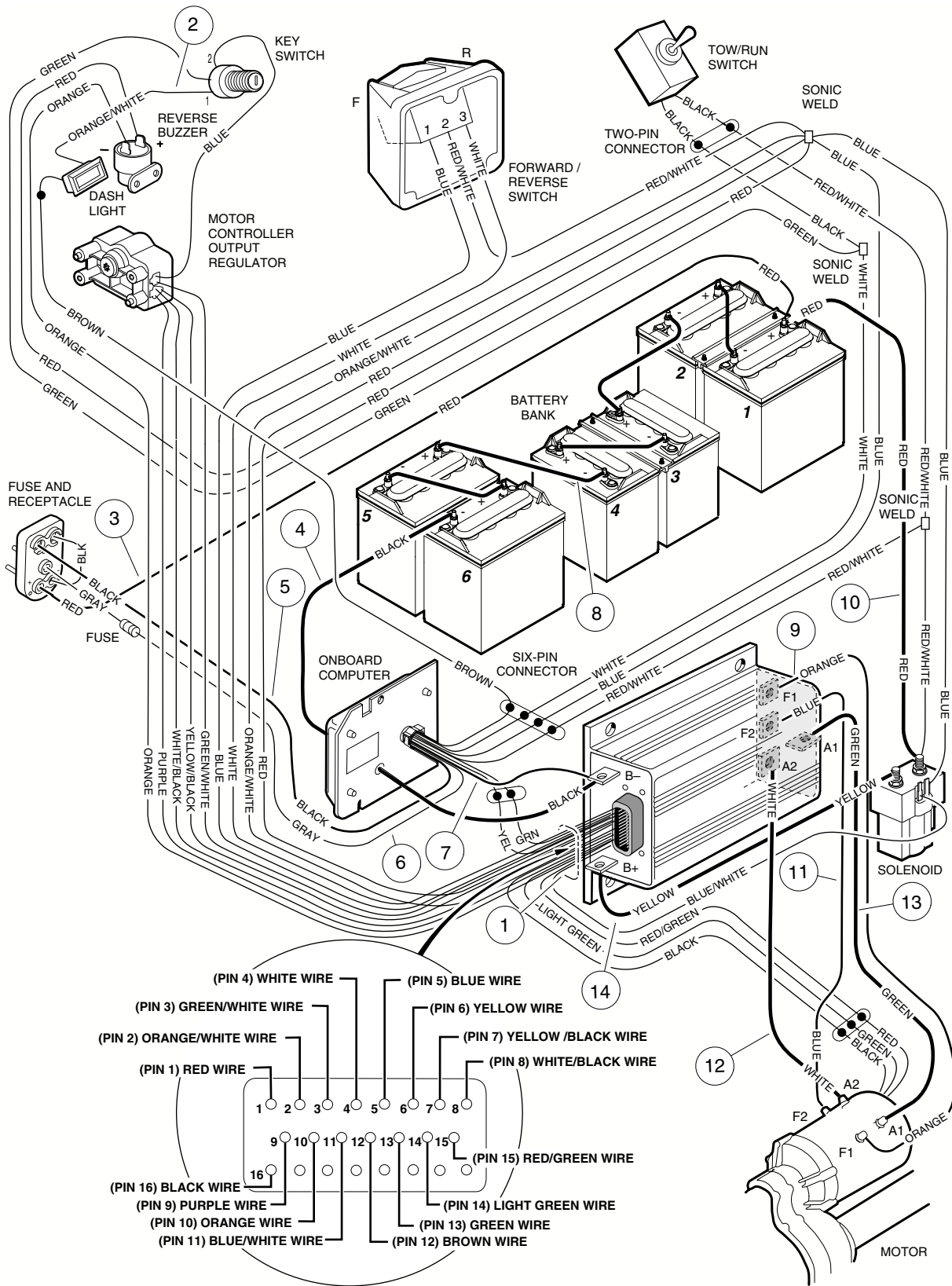


WIRING – POWERDRIVE PLUS VEHICLE WITH MULTI-STEP POTENTIOMETER

ITEM	PART NO.	DESCRIPTION	QTY
		1 2 3 4	
1	101964802	Wire Harness	1
2	N/A	Wire Assembly, #18 Orange/White (part of battery light)	1
3	N/A	Wire Assembly, #10 Red (part of fuse and receptacle assembly)	1
4	N/A	Wire Assembly, #6 Black	1
5	N/A	Wire Assembly, #10 Black (part of onboard computer assembly)	1
6	N/A	Wire Assembly, #18 Gray (part of onboard computer assembly)	1
7	N/A	Wire Assembly, #10 Black (part of onboard computer assembly)	1
8	101795701	Wire Assembly, #6 Black	5
9	101853502	Wire Assembly, #10 Orange	1
10	101902801	Wire Assembly, #6 Red	1
11	101853602	Wire Assembly, #10 Blue	1
12	101968701	Wire Assembly, #6 White	2
13	101902901	Wire Assembly, #6 Green	1
14	101920001	Wire Assembly, #6 Yellow	1

12

E

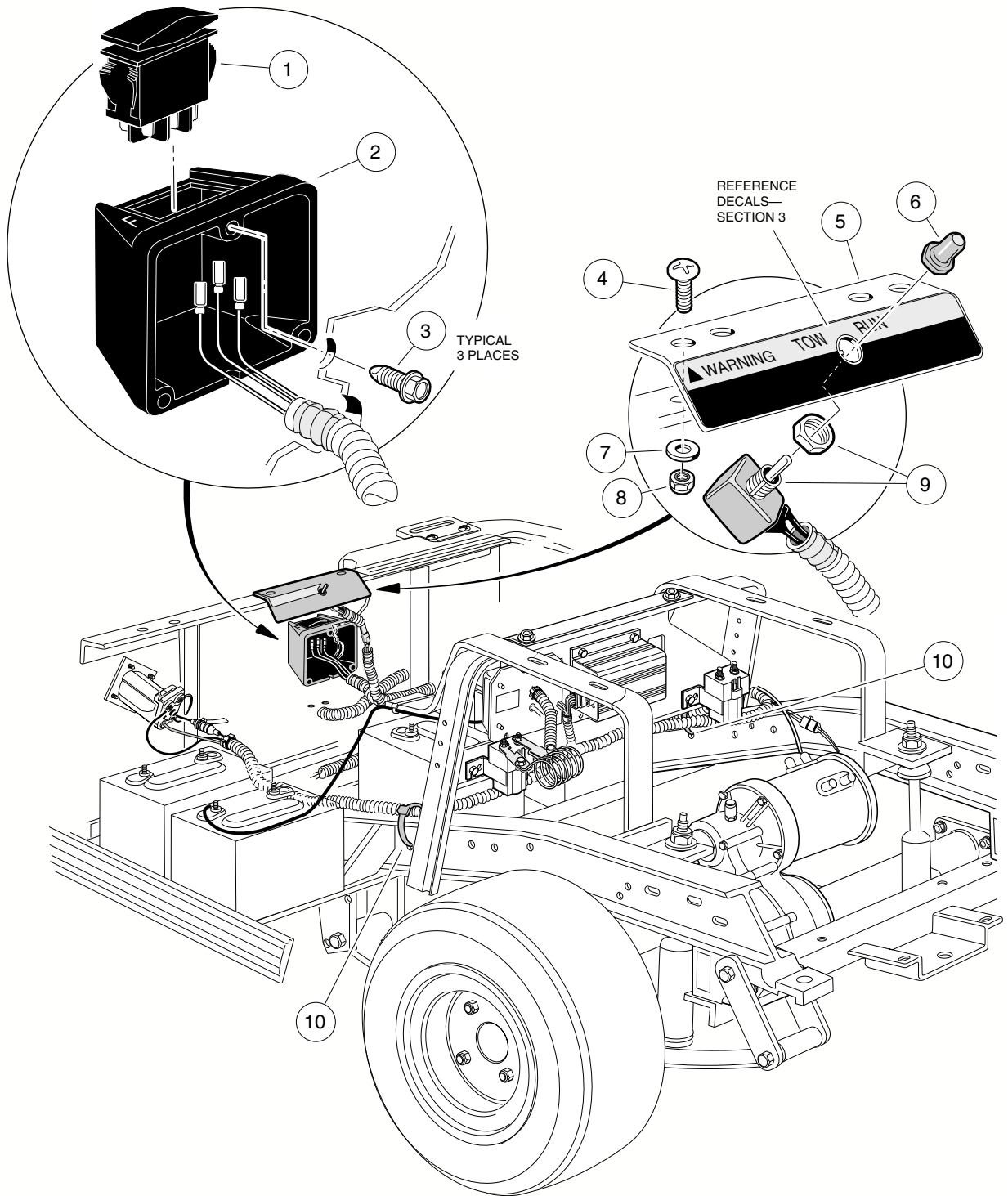


WIRING – POWERDRIVE PLUS VEHICLE WITH MOTOR CONTROLLER OUTPUT REGULATOR (MCOR)

ITEM	PART NO.	DESCRIPTION	QTY
		1 2 3 4	
1	102161801	Wire Harness	1
2	N/A	Wire Assembly, #18 Orange/White (part of battery light)	1
3	N/A	Wire Assembly, #10 Red (part of fuse and receptacle assembly)	1
4	N/A	Wire Assembly, #6 Black	1
5	N/A	Wire Assembly, #10 Black (part of onboard computer assembly)	1
6	N/A	Wire Assembly, #18 Gray (part of onboard computer assembly)	1
7	N/A	Wire Assembly, #10 Black (part of onboard computer assembly)	1
8	101795701	Wire Assembly, #6 Black	5
9	101853502	Wire Assembly, #10 Orange	1
10	101902801	Wire Assembly, #6 Red	1
11	101853602	Wire Assembly, #10 Blue	1
12	101968701	Wire Assembly, #6 White	2
13	101902901	Wire Assembly, #6 Green	1
14	101920001	Wire Assembly, #6 Yellow	1

12

E

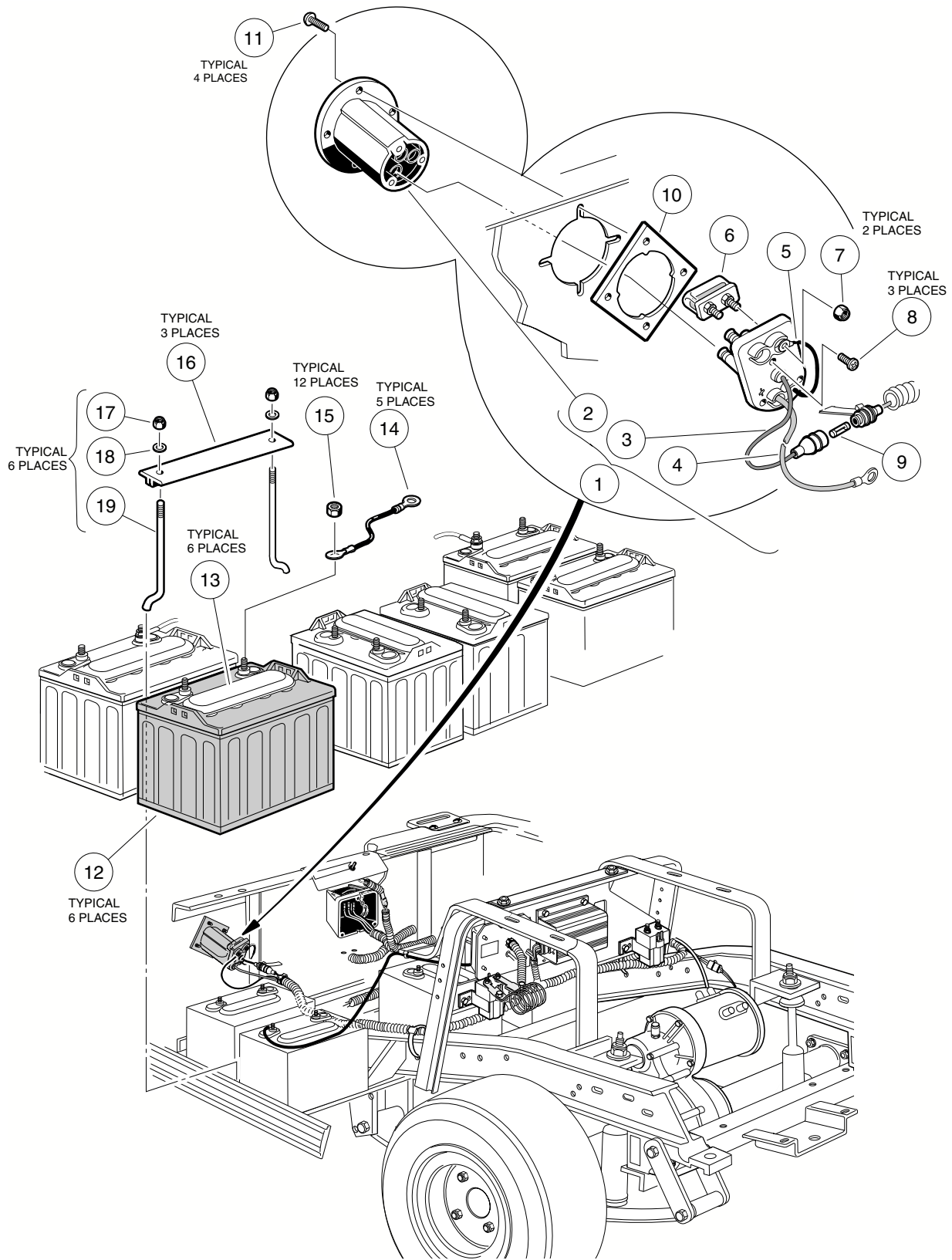


FORWARD/REVERSE SWITCH, TOW/RUN SWITCH – POWERDRIVE PLUS VEHICLE

ITEM	PART NO.	DESCRIPTION	QTY
		1 2 3 4	
1	101856001	Switch, Forward/Reverse	1
2	101855001	Case, Forward/Reverse Switch	1
3	101856101	Screw, Hi-Lo Hex Head, 1/4-15 x 1/2	3
4	8248	Screw, Truss Phillips Machine, 1/4-20 x 3/4	2
5	101922501	Bracket, Tow/Run Switch (without decal)	1
6	101908401	Boot, Tow/Run Switch (with nut).....	1
7	332	Washer, Flat, 1/4	2
8	8233	Nut, Nylon Lock, 1/4-20	2
9	101908101	Switch, Tow/Run	1
10	8990	Tie, Wire	A/R

12

E



BATTERIES, CHARGER RECEPTACLE – POWERDRIVE PLUS VEHICLE

ITEM	PART NO.	DESCRIPTION	QTY
		1 2 3 4	
1	101802101	Kit, Fuse and Receptacle (includes items 2 - 9)	1
2	101796501	Bezel, Receptacle	1
3	N/A	Wire Assembly, Sense Lead, Gray	1
4	N/A	Wire Assembly, #10 Red	1
5	N/A	Wire Assembly, #10 Black	1
6	101796801	Assembly, Fuse, 48-Volt (includes item 7)	1
7	1013061	Nut, Nylon Lock, #10	2
8	1017705	Screw, Phillips Pan Head, #8 Type AB	3
9	101894901	Fuse, 3/8-Amp	1
10	101801001	Plate, Receptacle Backing	1
11	101832001	Screw, Phillips Pan Head, #7-18 x 3/4	4
12	101797701	Battery, 8-Volt PowerDrive (includes item 13)	6
12	101797702	Battery, 8-Volt PowerDrive, Dry (includes item 13)	6
13	101797801	Cap, Battery, 4-Port Gang	1
14	101795701	Wire Assembly, #6 Black	5
15	1014304	Nut, Hex, Stainless Steel, 5/16-18	12
16	101090801	Hold-Down, Battery	3
17	1015072	Nut, Nylon Lock, Stainless Steel, 5/16-18	6
18	1011578	Washer, Flat, Type B Wide, 5/16	6
19	1013683	J-Bolt	6

12

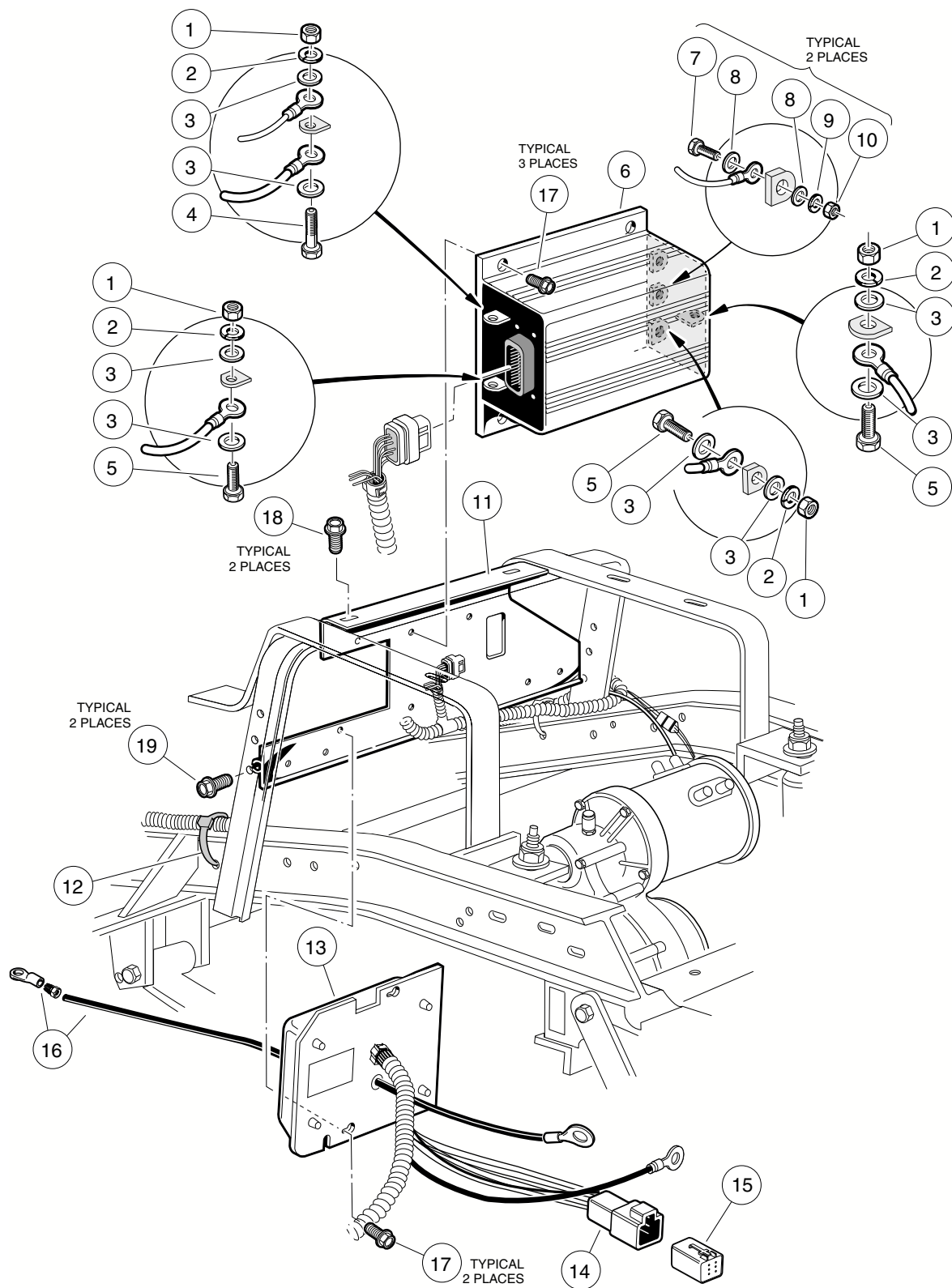
E

SOLENOIDS, ENERGY DISPLACEMENT MODULE – POWERDRIVE PLUS VEHICLE

ITEM	PART NO.	DESCRIPTION	QTY
		1 2 3 4	
1	1017237	Nut, Hex Flanged Lock, 5/16-24	4
2	1018028	Nut, Serrated, #10-32	4
3	1012285	Screw, Thread-Rolling, 1/4-20 x 5/8	4
4	101883601	Solenoid, 48-Volt (with mounting bracket)	2
5	101957901	Bracket, Mounting	2
6	101888201	Tab, Mounting	2
7	1015069	Screw, Hex Head Cap, 1/4-20 x 3/4	2
8	1011931	Washer, Flat, 1/4	2
9	451	Washer, Lock, 1/4	2
10	1028	Nut, Hex, 1/4-20	2
11	101964401	Coil, Energy Displacement	1
12	101908701	Solenoid, 48-Volt (with diode) (includes items 13 - 17)	1
13	1016545	Nut, Hex, M5 x .8	2
14	N/A	Washer, Flat	2
15	N/A	Washer, Lock	2
16	1012528	Nut, Hex, M8	2
17	7174	Washer, Lock, 5/16	2
18	1014948	Assembly, Diode (Service Part replacement for existing diode that comes standard with solenoid)	1
		<p>Note: Vehicles with serial numbers 0106-987637 and greater do not include items 1, 2, and 4 through 11. The quantity of item 3 is half of the number listed above.</p>	

12

E

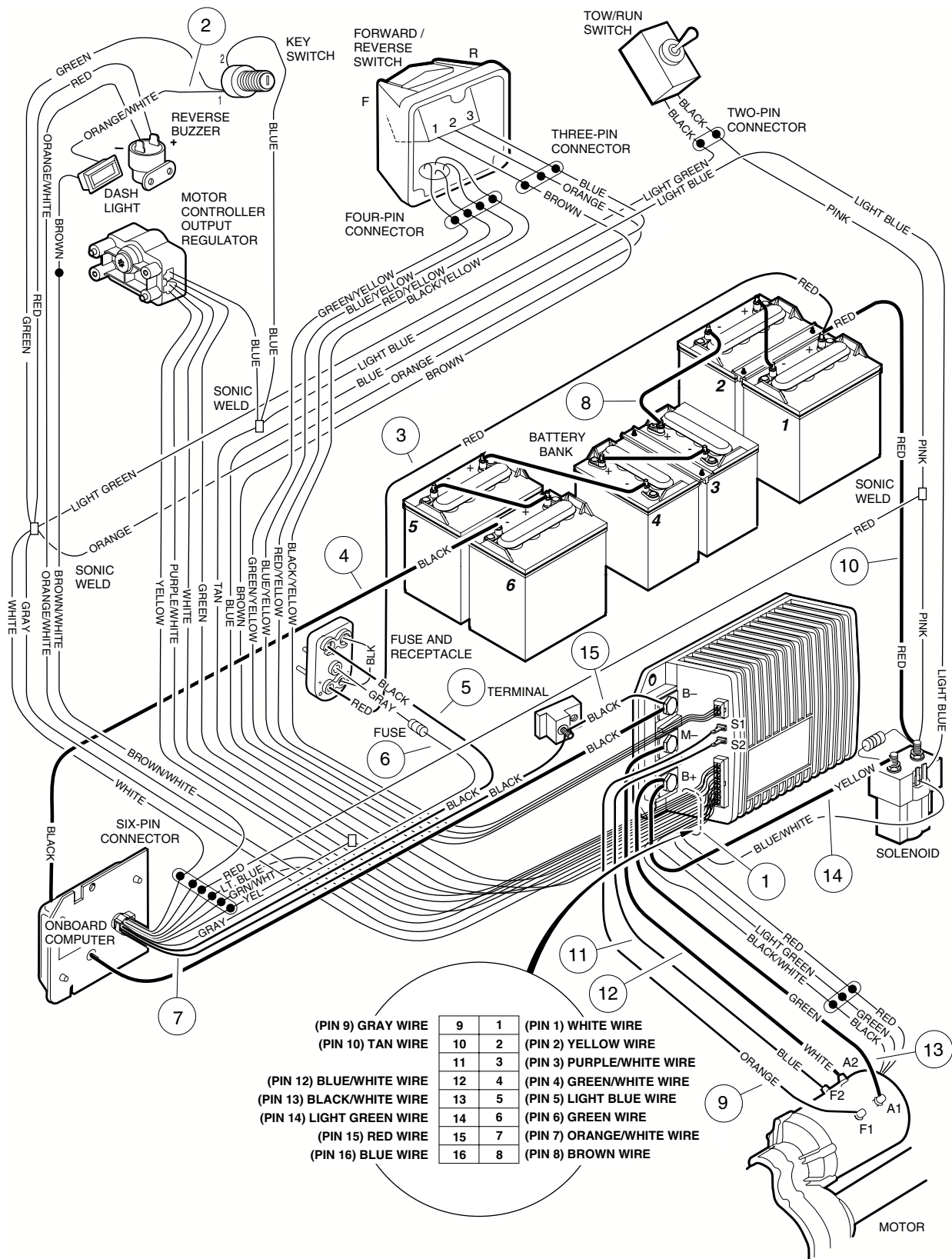


CONTROLLER, ONBOARD COMPUTER – POWERDRIVE PLUS VEHICLE

ITEM	PART NO.	DESCRIPTION	QTY
		1 2 3 4	
1	1242	Nut, Hex, 5/16-18	4
2	7174	Washer, Lock, 5/16	4
3	1241	Washer, Flat, 5/16	8
4	1218	Screw, Hex Head Cap, 5/16-18 x 1-1/4	1
5	7173	Screw, Hex Head Cap, 5/16-18 x 3/4	3
6	101887901	Controller, 48-Volt (220-amp)	1
7	8450	Screw, Hex Head Machine, #10-24 x 1/2	2
8	1018038	Washer, #10	4
9	1016175	Washer, Lock, #10	2
10	1017	Nut, Hex, #10-24	2
11	101965201	Plate, Component Mounting	1
12	8990	Tie, Wire	A/R
13	101909902	Computer, Onboard (includes item 14)	1
14	101932601	Kit, 6-Pin Receptacle	1
15	101932701	Kit, 6-Pin Plug Assembly	1
16	101827801	Kit, Wire and Terminal, #6 Black	1
17	1012285	Screw, Thread-Rolling, 1/4-20 x 5/8	5
18	1014288	Screw, Thread-Forming, 5/16-18 x 3/4	2
19	101910401	Screw, Thread-Forming, 5/16-18 x 1-1/4	2

12

E



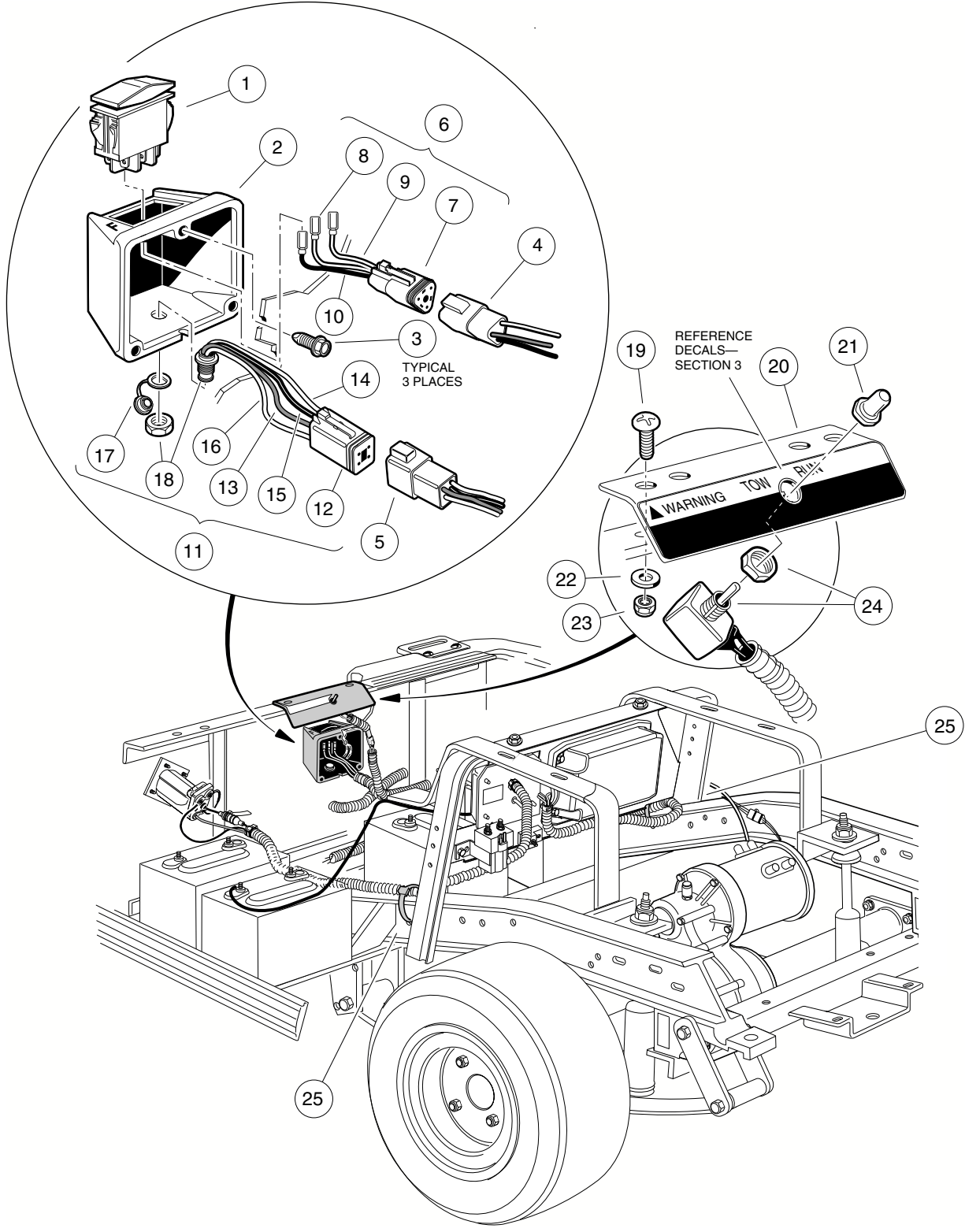
(PIN 9) GRAY WIRE	9	1	(PIN 1) WHITE WIRE
(PIN 10) TAN WIRE	10	2	(PIN 2) YELLOW WIRE
(PIN 12) BLUE/WHITE WIRE	11	3	(PIN 3) PURPLE/WHITE WIRE
(PIN 13) BLACK/WHITE WIRE	12	4	(PIN 4) GREEN/WHITE WIRE
(PIN 14) LIGHT GREEN WIRE	13	5	(PIN 5) LIGHT BLUE WIRE
(PIN 15) RED WIRE	14	6	(PIN 6) GREEN WIRE
(PIN 16) BLUE WIRE	15	7	(PIN 7) ORANGE/WHITE WIRE
	16	8	(PIN 8) BROWN WIRE

WIRING – IQ SYSTEM VEHICLE WITH MOTOR CONTROLLER OUTPUT REGULATOR (MCOR)

ITEM	PART NO.	DESCRIPTION	QTY
		1 2 3 4	
1	102196601	Wire Harness	1
2	N/A	Wire Assembly, #18 Orange/White (part of battery light)	1
3	N/A	Wire Assembly, #10 Red (part of fuse and receptacle assembly)	1
4	N/A	Wire Assembly, #6 Black	1
5	N/A	Wire Assembly, #10 Black (part of onboard computer assembly)	1
6	N/A	Wire Assembly, #18 Gray (part of onboard computer assembly)	1
7	N/A	Wire Assembly, #10 Black (part of onboard computer assembly)	1
8	101795701	Wire Assembly, #6 Black	5
9	101978101	Wire Assembly, #10 Orange	1
10	102199601	Wire Assembly, #6 Red	1
11	101978201	Wire Assembly, #10 Blue	1
12	101968701	Wire Assembly, #6 White	2
13	101978001	Wire Assembly, #6 Green	1
14	101920001	Wire Assembly, #6 Yellow	1
15	102263601	Wire, Assembly, #10 Black	1

12

E

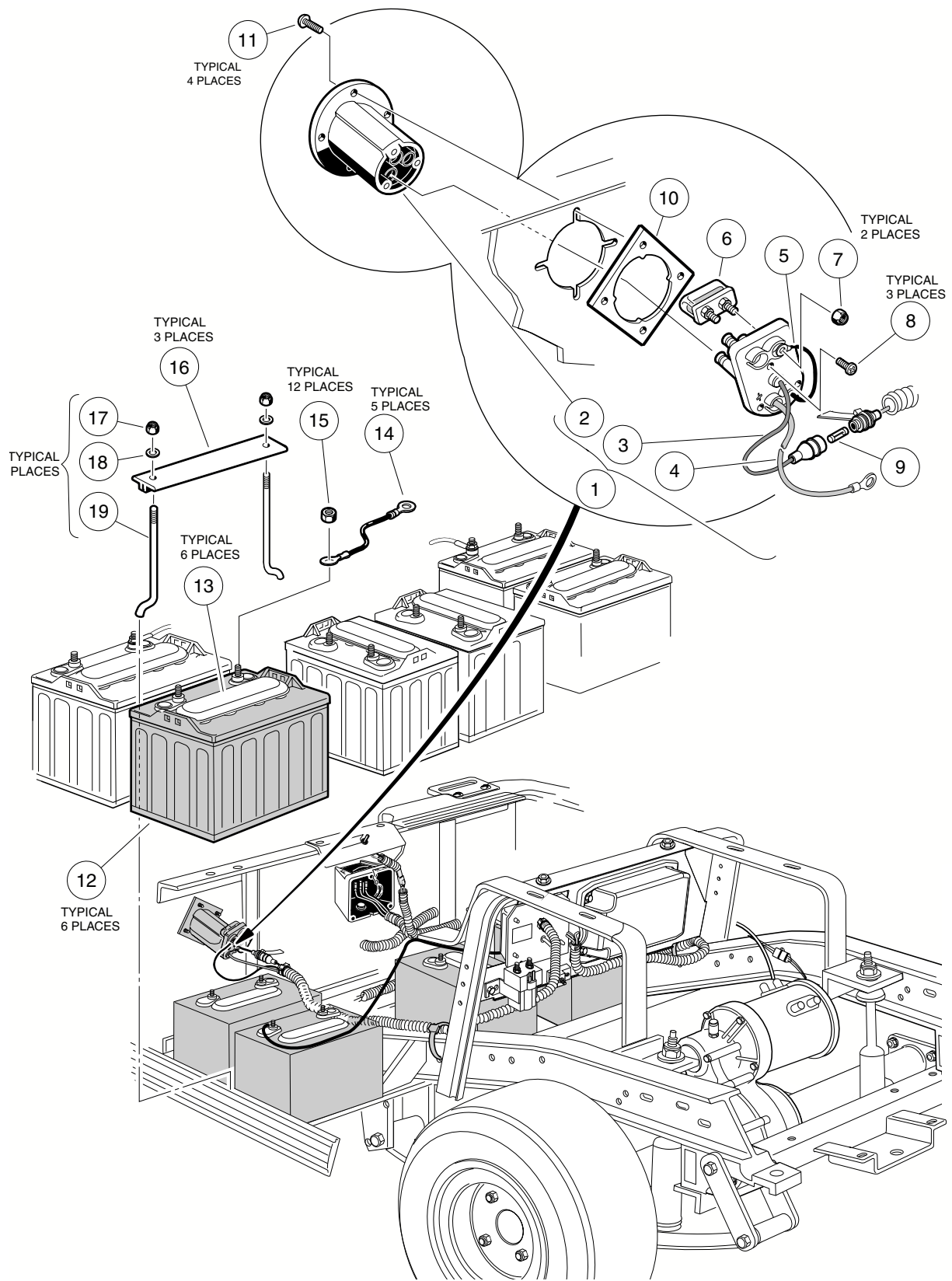


FORWARD/REVERSE SWITCH, TOW/RUN SWITCH – IQ SYSTEM VEHICLE

ITEM	PART NO.	DESCRIPTION	QTY
		1 2 3 4	
1	101856001	Switch, Forward/Reverse	1
2	101855002	Case, Forward/Reverse Switch	1
3	101856101	Screw, Hi-Lo Hex Head, 1/4-15 x 1/2	3
4	101942301	Kit, 3-Pin Receptacle and Wedge Lock	1
5	101932401	Kit, 4-Pin Receptacle and Wedge Lock	1
6	102266601	Wire Assembly, Forward/Reverse Switch (includes items 7-10)	1
7	101920101	Kit, 3-Pin Plug and Wedge Lock	1
8	N/A	Wire Assembly, #18 Blue	1
9	N/A	Wire Assembly, #18 Orange	1
10	N/A	Wire Assembly, #18 Brown	1
11	102266701	Wire Assembly, IQDM Port (includes items 12-18)	
12	101932501	Kit, 4-Pin Plug and Wedge Lock	1
13	N/A	Wire Assembly, #18 Red/Yellow	1
14	N/A	Wire Assembly, #18 Black/Yellow	1
15	N/A	Wire Assembly, #18 Blue/Yellow	1
16	N/A	Wire Assembly, #18 Green/Yellow	1
17	102196901	Cap, Dust	1
18	N/A	Connector, 4-Pin	1
19	8248	Screw, Truss Phillips Machine, 1/4-20 x 3/4	2
20	101922501	Bracket, Tow/Run Switch (without decal)	1
21	101908401	Boot, Tow/Run Switch (with nut).....	1
22	332	Washer, Flat, 1/4	2
23	8233	Nut, Nylon Lock, 1/4-20	2
24	101908101	Switch, Tow/Run	1
25	8990	Tie, Wire	A/R

12

E

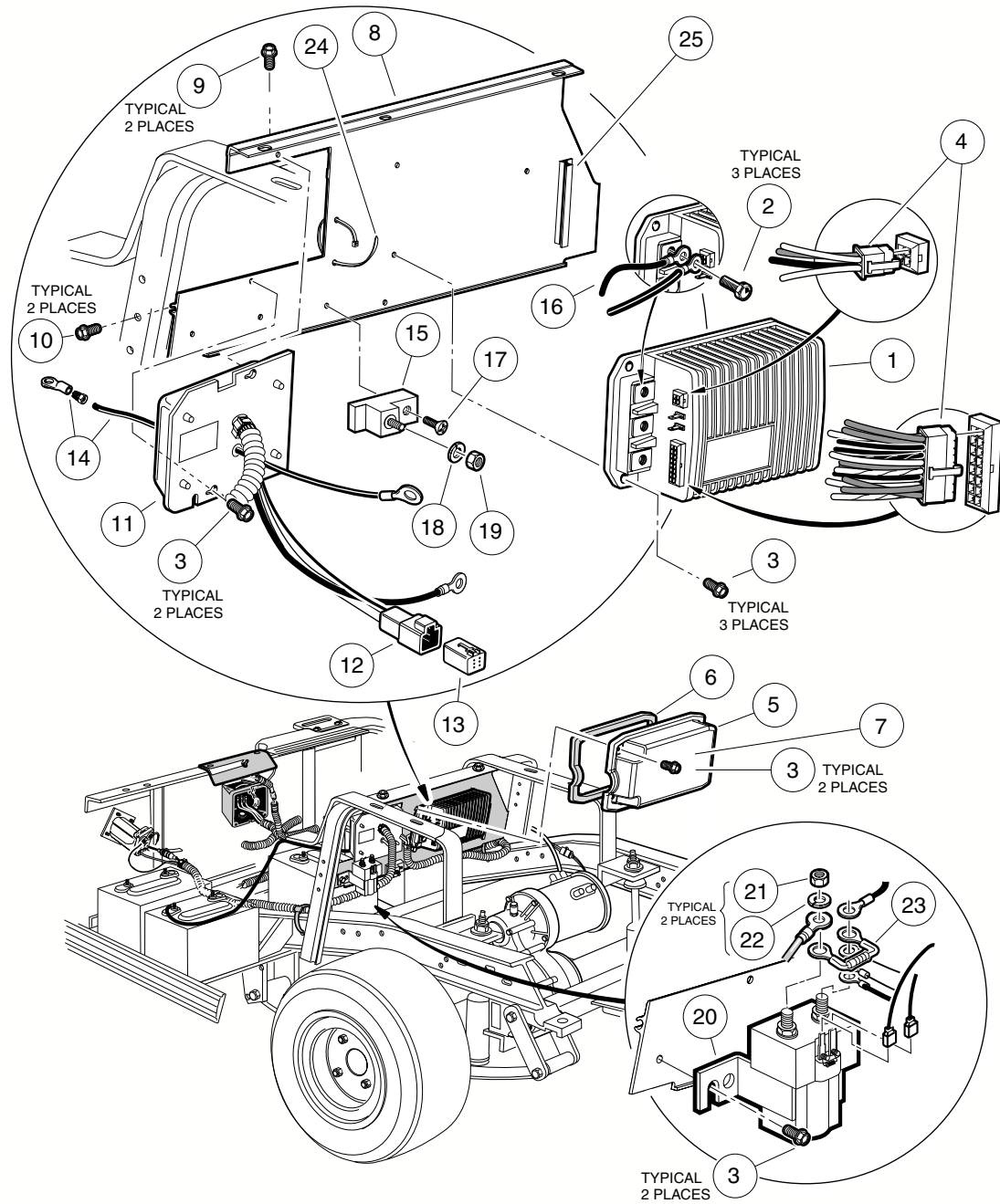


BATTERIES, CHARGER RECEPTACLE – IQ SYSTEM VEHICLE

ITEM	PART NO.	DESCRIPTION	QTY
		1 2 3 4	
1	101802101	Kit, Fuse and Receptacle (includes items 2 - 9)	1
2	101796501	Bezel, Receptacle	1
3	N/A	Wire Assembly, Sense Lead, Gray	1
4	N/A	Wire Assembly, #10 Red	1
5	N/A	Wire Assembly, #10 Black	1
6	101796801	Assembly, Fuse, 48-Volt (includes item 7)	1
7	1013061	Nut, Nylon Lock, #10	2
8	1017705	Screw, Phillips Pan Head, #8 Type AB	3
9	101894901	Fuse, 3/8-Amp	1
10	101801001	Plate, Receptacle Backing	1
11	101832001	Screw, Phillips Pan Head, #7-18 x 3/4	4
12	101797701	Battery, 8-Volt PowerDrive (includes item 13)	6
12	101797702	Battery, 8-Volt PowerDrive, Dry (includes item 13)	6
13	101797801	Cap, Battery, 4-Port Gang	1
14	101795701	Wire Assembly, #6 Black	5
15	1014304	Nut, Hex, Stainless Steel, 5/16-18	12
16	101090801	Hold-Down, Battery	3
17	1015072	Nut, Nylon Lock, Stainless Steel, 5/16-18	6
18	1011578	Washer, Flat, Type B Wide, 5/16	6
19	1013683	J-Bolt	6

12

E



COMPUTER, CONTROLLER, AND SOLENOID – IQ SYSTEM VEHICLE

ITEM	PART NO.	DESCRIPTION	QTY
		1 2 3 4	
1	101956501	Controller, 48-Volt (250-amp)	1
1	****	Controller, 48-Volt (250-amp) (customized programming)	1
2	102240501	Screw, Hex Wash, M8 x 1-1/4 x 12 mm	3
3	1012285	Screw, Thread-Rolling, 1/4-20 x 5/8	8
4	102266501	Kit, Connector, IQ Controller	1
5	102240701	Cover, Controller (includes items 6 and 7)	1
6	102240801	Gasket, Controller	1
7	101931501	Decal, Electrical Component Cover	1
8	101965202	Plate, Component Mounting	1
9	1014288	Screw, Thread-Forming, 5/16-18 x 3/4	2
10	101910401	Screw, Thread-Forming, 5/16-18 x 1-1/4	2
11	101909902	Computer, Onboard (includes item 12)	1
12	101932601	Kit, 6-Pin Receptacle	1
13	101932701	Kit, 6-Pin Plug Assembly	1
14	101827801	Kit, Wire and Terminal, #6 Black	1
15	102259801	Block, Terminal (controller).....	1
16	102263601	Wire Assembly, #10 Black	1
17	102263701	Screw, Phillips, Thread-Forming, #10-24 x 3/4	1
18	7174	Washer, Lock, 5/16	1
19	1242	Nut, Hex, 5/16-18	1
20	101908701	Solenoid, 48-Volt (with diode) (includes items 21 and 22)	1
21	1012528	Nut, M8 x 1-1/4	2
22	1013734	Washer, Lock, 8 mm	2
23	1014947	Assembly, Resistor	1
24	8639	Tie, Wire	1
25	****	Z-Bracket, Controller Cover	1
	****	Special order item available upon request.	

12

E

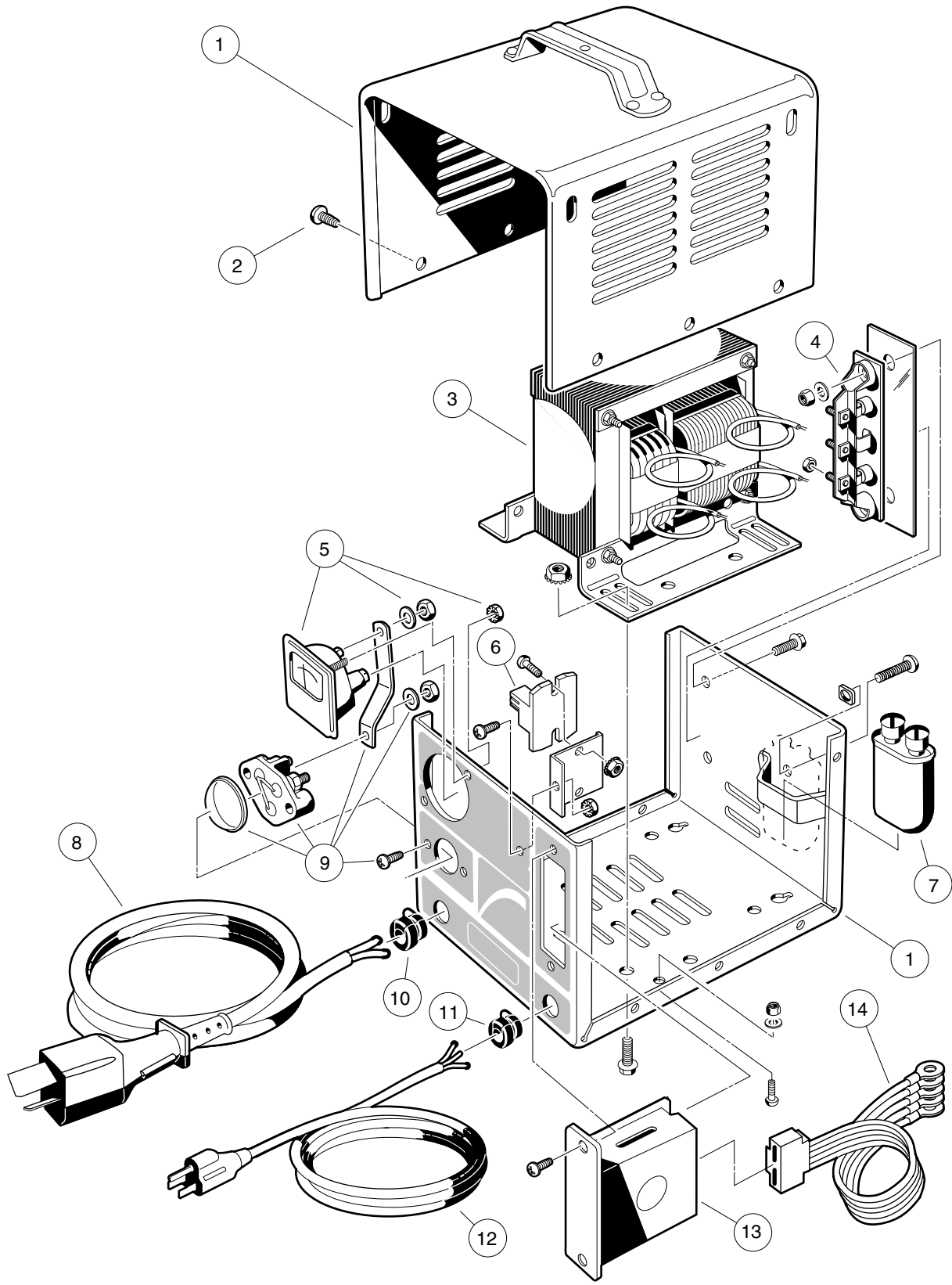
12

E

BATTERY CHARGER

13

E

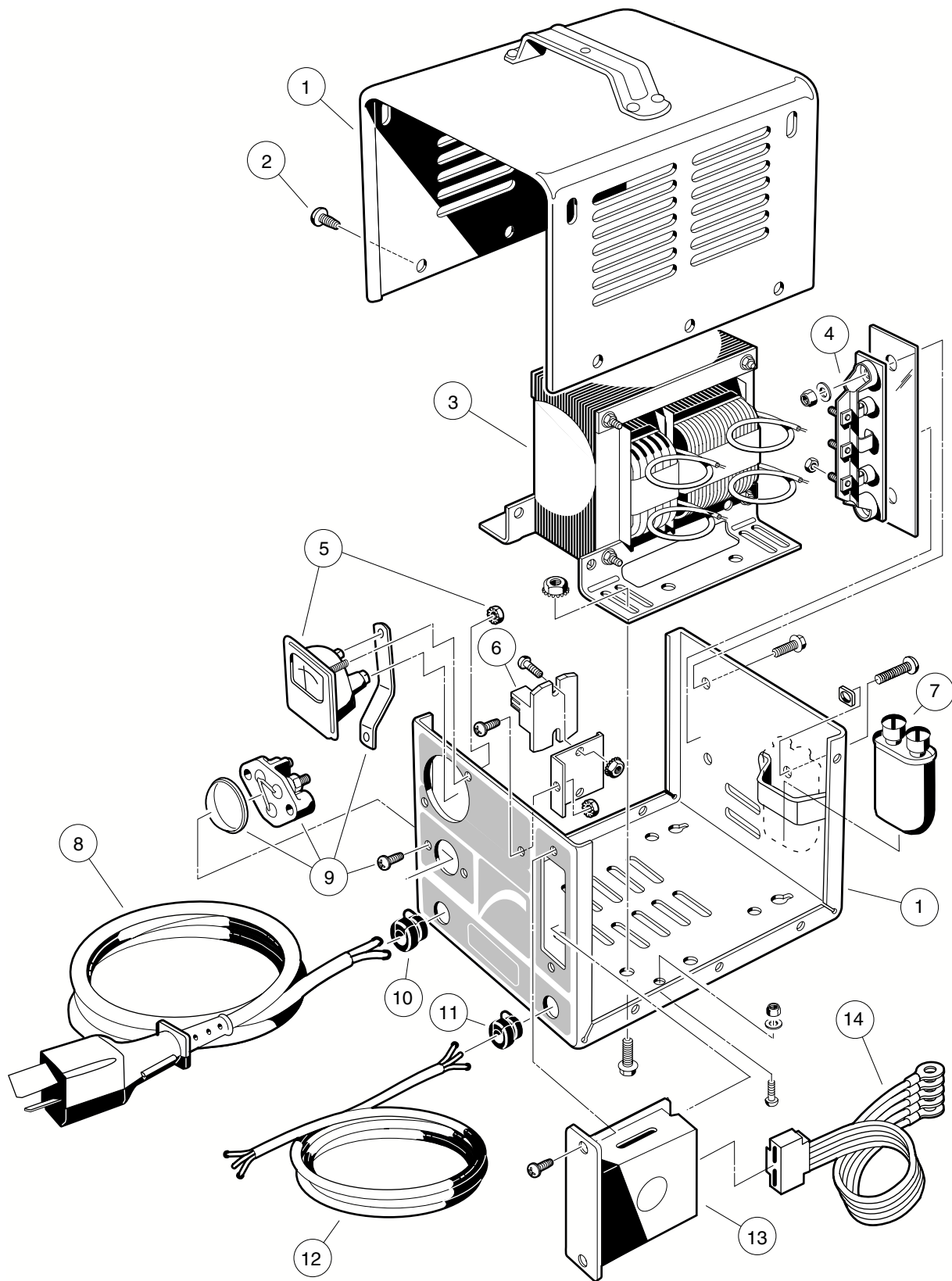


ACCU-POWER CHARGER, DOMESTIC – V-GLIDE 36-VOLT VEHICLE

ITEM	PART NO.	DESCRIPTION	QTY
		1 2 3 4	
	101646401	Charger, Accu-Power, Domestic, 120-V AC, 36-V DC, 60-Hz (model number 13800-11) (includes items 1 - 14) 108-inch DC cord, 72-inch AC cord	1
1	1015907	Assembly, Case (includes fasteners)	1
2	7577	Screw, Pan Head, Self-Tapping, #10-16 x 1/2	10
3	1015912	Assembly, Transformer	1
4	1015914	Assembly, Heatsink, with Diodes (includes mounting hardware)	1
5	1015905	Ammeter (includes mounting hardware)	1
6	1015911	Relay, 36-V DC	1
7	1015910	Capacitor	1
8	101643301	Cordset, DC, 108-Inch Long (standard) 12-AWG	1
8	101643302	Cordset, DC, 146-Inch Long, 10-AWG	1
8	101643303	Cordset, DC, 242-Inch Long, 10-AWG	1
9	1012101	Assembly, Fuse (Includes Hardware)	1
10	1012098	Bushing, Strain Relief, 12-AWG DC Cord	1
10	1012042	Bushing, Strain Relief, 10-AWG DC Cord	1
11	1015917	Bushing, Strain Relief, AC Cord	1
12	101591601	Cordset, AC, 72-Inch Long (standard)	1
12	101591602	Cordset, AC, 108-Inch Long	1
13	1015906	Assembly, Timer Kit (includes mounting hardware)	1
14	1015913	Assembly, Control Cable	1

13

E

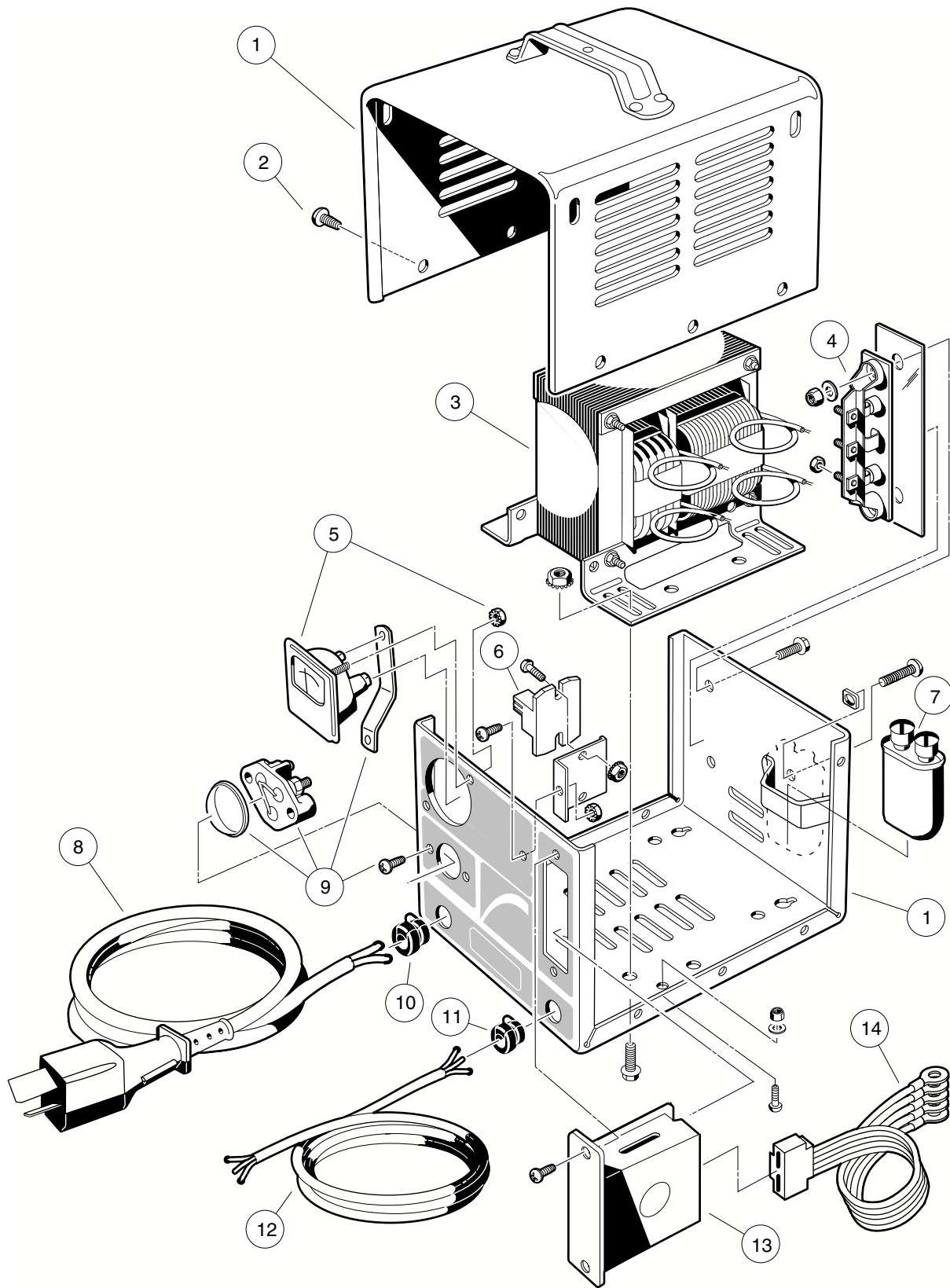


ACCU-POWER CHARGER, EXPORT, 230-VOLT – V-GLIDE 36-VOLT VEHICLE

ITEM	PART NO.	DESCRIPTION	QTY
		1 2 3 4	
	101643401	Charger, Accu-Power, Export, 230-V AC, 36-V DC, 50-Hz (model number 14410-11) (includes items 1 - 14) 108-inch DC cord, 108-inch AC cord	1
1	N/A	Assembly, Case	1
2	7577	Screw, Pan Head, Self-Tapping, #10-16 x 1/2	10
3	1015936	Assembly, Transformer	1
4	1015914	Assembly, Heatsink, with Diodes (includes mounting hardware)	1
5	1015905	Ammeter (includes mounting hardware)	1
6	1015911	Relay, 36-V DC	1
7	1015910	Capacitor	1
8	101643301	Cordset, DC, 108-Inch Long, 12-AWG (standard)	1
8	101643302	Cordset, DC, 146-Inch Long, 10-AWG	1
8	101643303	Cordset, DC, 242-Inch Long, 10-AWG	1
9	1012101	Assembly, Fuse (includes mounting hardware)	1
10	1012098	Bushing, Strain Relief, 12-AWG DC Cord	1
10	1012042	Bushing, Strain Relief, 10-AWG DC Cord	1
11	1015917	Bushing, Strain Relief, AC Cord	1
12	1014696	Cordset, AC, 108-Inch Long (standard)	1
13	1015906	Assembly, Timer Kit (includes mounting hardware)	1
14	1015913	Assembly, Control Cable	1

13

E

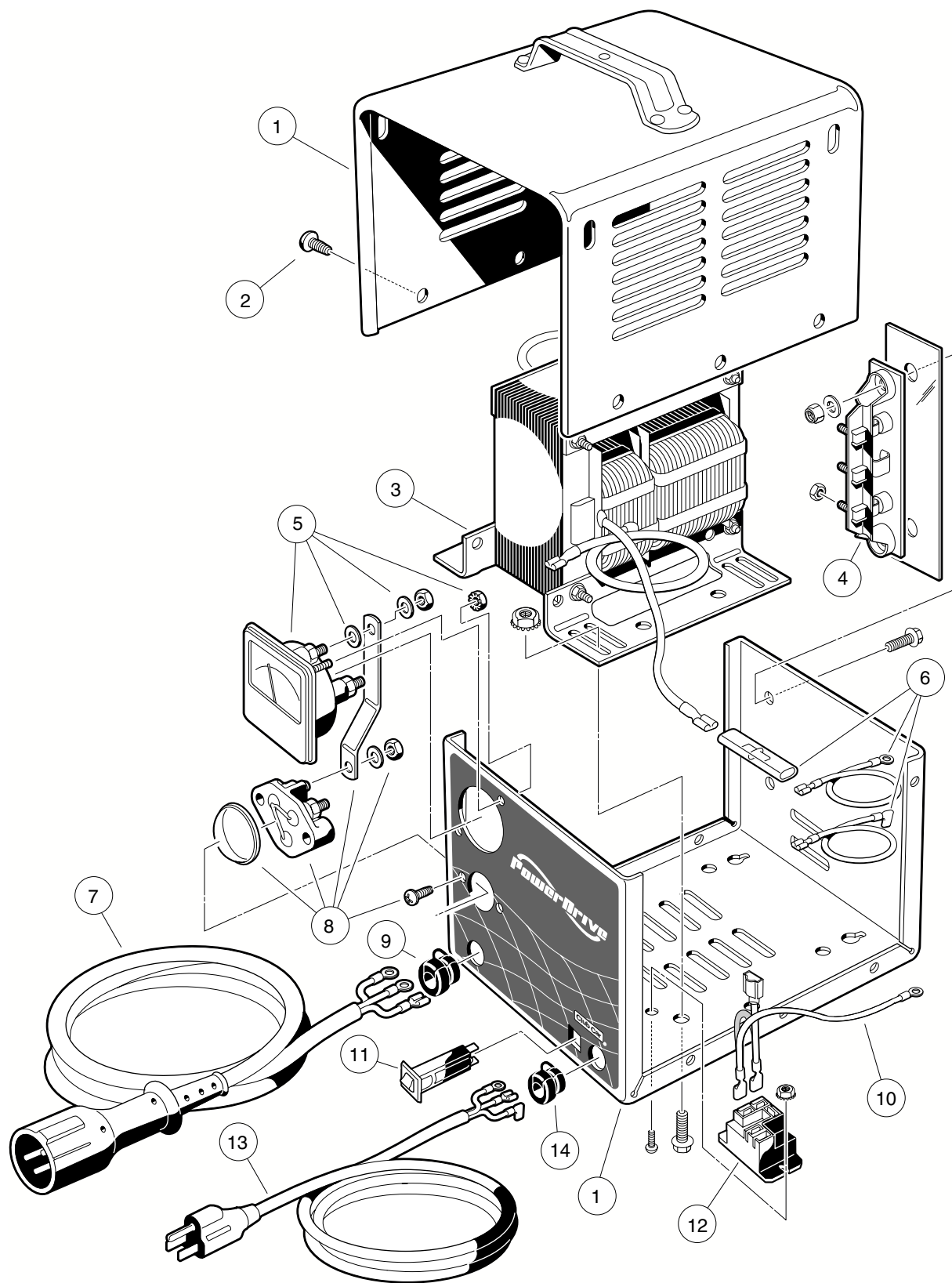


ACCU-POWER CHARGER, EXPORT, 100-VOLT – V-GLIDE 36-VOLT VEHICLE

ITEM	PART NO.	DESCRIPTION	QTY
		1 2 3 4	
	101646201	Charger, Accu-power, Export, 100-V AC, 36-V DC, 50-Hz (model number 14900) (includes items 1 - 14) 108-inch DC cord, 108-inch AC cord	1
1	N/A	Assembly, Case	1
2	7577	Screw, Pan Head, Self-Tapping, #10-16 x 1/2	10
3	1016336	Assembly, Transformer	1
4	1015914	Assembly, Heatsink, with Diodes (includes mounting hardware)	1
5	1015905	Ammeter (Includes Mounting Hardware)	1
6	1015911	Relay, 36-V DC	1
7	1015939	Capacitor	1
8	101643301	Cordset, DC, 108-Inch Long, 12-AWG (standard)	1
8	101643302	Cordset, DC, 146-Inch Long, 10-AWG	1
8	101643303	Cordset, DC, 242-Inch Long, 10-AWG	1
9	1012101	Assembly, Fuse (includes mounting hardware)	1
10	1012098	Bushing, Strain Relief, 12-AWG DC Cord	1
10	1012042	Bushing, Strain Relief, 10-AWG DC Cord	1
11	1015917	Bushing, Strain Relief, AC Cord	1
12	1016282	Cordset, AC, 108-Inch Long	1
13	1015906	Assembly, Timer Kit (includes mounting hardware)	1
14	1015913	Assembly, Control Cable	1

13

E



POWERDRIVE CHARGER, DOMESTIC

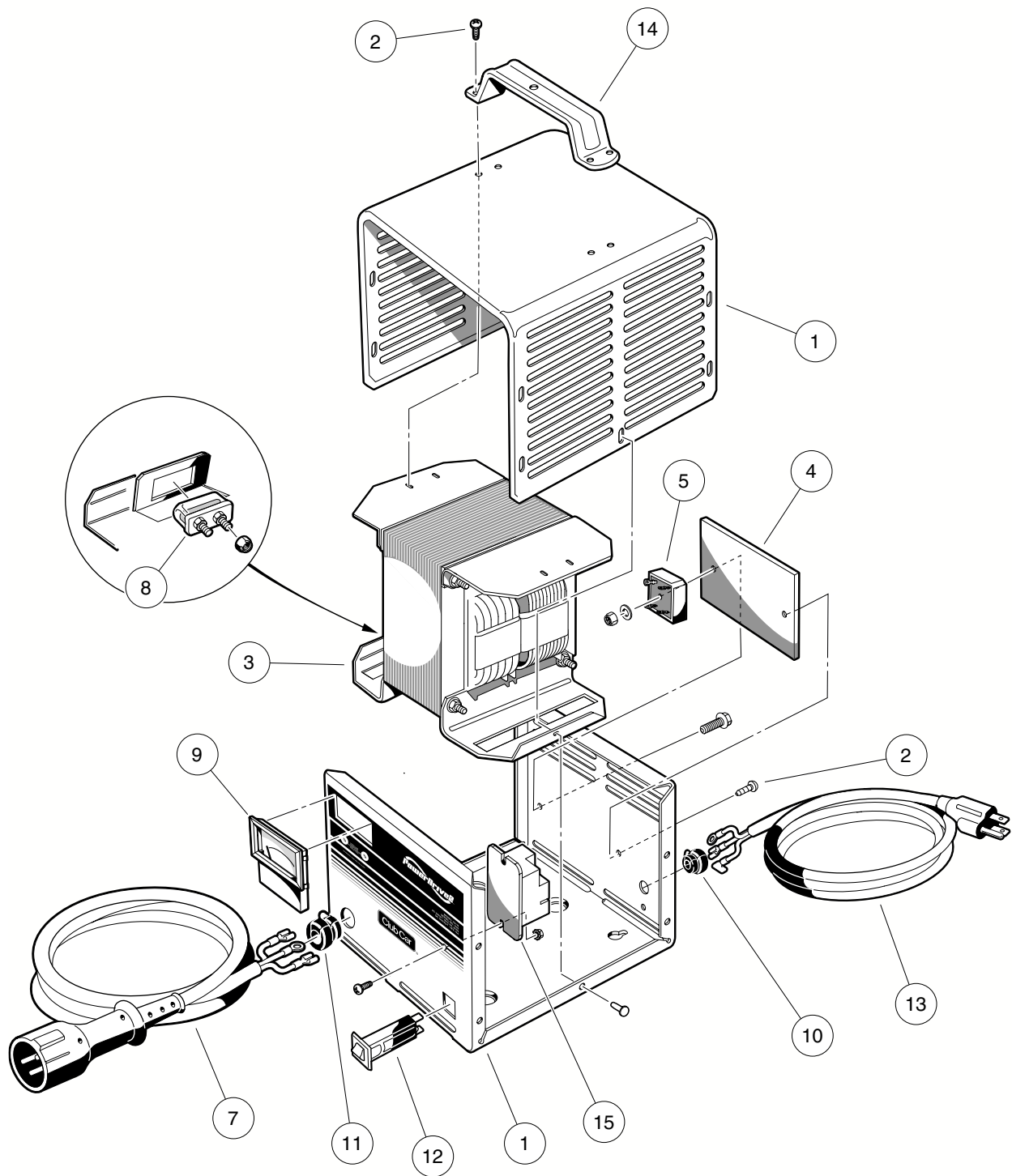
ITEM	PART NO.	DESCRIPTION	QTY
		1 2 3 4 PowerDrive chargers can be used with PowerDrive System 48, PowerDrive Plus, and IQ System vehicles.	
	101802201	Charger, Battery, PowerDrive, Domestic 120-V AC 48-V DC 60-Hz (model number 17930-11) (includes items 1 - 14) 103-inch DC cord with male 3-pin plug, 12-AWG 74-inch AC cord with male grounded plug	1
	101802202	Charger, Battery, PowerDrive 120-V AC 48-V DC 60-Hz (model number 17930-18) (includes items 1 - 14) 144-inch DC cord with male 3-pin plug, 12-AWG 108-inch AC cord with male grounded plug	1
	101802203	Charger, Battery, PowerDrive 120-V AC 48-V DC 60-Hz (model number 17930-19) (includes items 1 - 14) 240-inch DC cord with male 3-pin plug, 12-AWG 108-inch AC cord with male grounded plug	1
1	101828301	Assembly, Case (includes fasteners)	1
2	7577	Screw, Pan Head, Self-Tapping, #10-16 x 1/2	10
3	101819701	Assembly, Transformer	1
4	1015914	Assembly, Heatsink, with Diodes (includes mounting hardware)	1
5	101828501	Ammeter (includes mounting hardware)	1
6	101831101	Kit, Wire Assembly	1
7	101828901	Cordset, DC, 113-Inch Long with Male 3-Pin Plug, 12-AWG	1
7	101828902	Cordset, DC, 154-Inch Long with Male 3-Pin Plug, 12-AWG	1
7	101828903	Cordset, DC, 250-Inch Long with Male 3-Pin Plug, 12-AWG	1
8	1012101	Assembly, Fuse (includes mounting hardware)	1
9	1012098	Bushing, Strain Relief, DC Cord, 12-AWG	1
10	101914401	Assembly, Voltage Suppressor	1
11	101828701	Breaker, Circuit, 15-Amp	1
12	101828601	Relay, Power, 48-V DC	1
13	101828801	Cordset, AC, 80-Inch Long	1
13	101828802	Cordset, AC, 116-Inch Long	1
14	1015917	Bushing, Strain Relief, AC Cord	1

13

E

13

E



POWERDRIVE 2 CHARGER, DOMESTIC

ITEM	PART NO.	DESCRIPTION	QTY
		1 2 3 4	
	101802204	Charger, Battery, PowerDrive, Domestic 120-V AC 48-V DC 60-Hz (model number 22110-11) (includes items 1 - 15) 103-inch DC cord with male 3-pin plug, 12-AWG 74-inch AC cord with male grounded plug	1
	101802205	Charger, Battery, PowerDrive 120-V AC 48-V DC 60-Hz (model number 22110-18) (includes items 1 - 15) 144-inch DC cord with male 3-pin plug, 12-AWG 108-inch AC cord with male grounded plug	1
	101802206	Charger, Battery, PowerDrive 120-V AC 48-V DC 60-Hz (model number 22110-19) (includes items 1 - 15) 240-inch DC cord with male 3-pin plug, 12-AWG 108-inch AC cord with male grounded plug	1
1	102273201	Assembly, Case (includes item 2)	1
2	7577	Screw, Pan Head, Self-Tapping, #10-16 x 1/2	12
3	102273301	Assembly, Transformer (includes rivets)	1
4	102273401	Plate, Heatsink	1
5	102273501	Assembly, Diode with Heatsink Film (includes mounting hardware)	1
6	102273601	Kit, Wire Assembly (not shown)	1
7	101828904	Cordset, DC, 113-Inch Long with Male 3-Pin Plug, 12-AWG	1
7	101828905	Cordset, DC, 154-Inch Long with Male 3-Pin Plug, 12-AWG	1
7	101828906	Cordset, DC, 250-Inch Long with Male 3-Pin Plug, 12-AWG	1
8	102273701	Assembly, Fuse, 30-Amp (includes terminal hardware)	1
9	102273801	Ammeter (includes mounting hardware)	1
10	102273901	Bushing, Strain Relief, AC Cord	1
11	1012098	Bushing, Strain Relief, DC Cord, 12-AWG	1
12	101828701	Breaker, Circuit, 15-Amp	1
13	101828801	Cordset, AC, 80-Inch Long	1
13	101828802	Cordset, AC, 116-Inch Long	1
14	102274001	Handle, PowerDrive 2 Charger (with four screws)	1
15	101828601	Relay, Power, 48-V DC	1

13

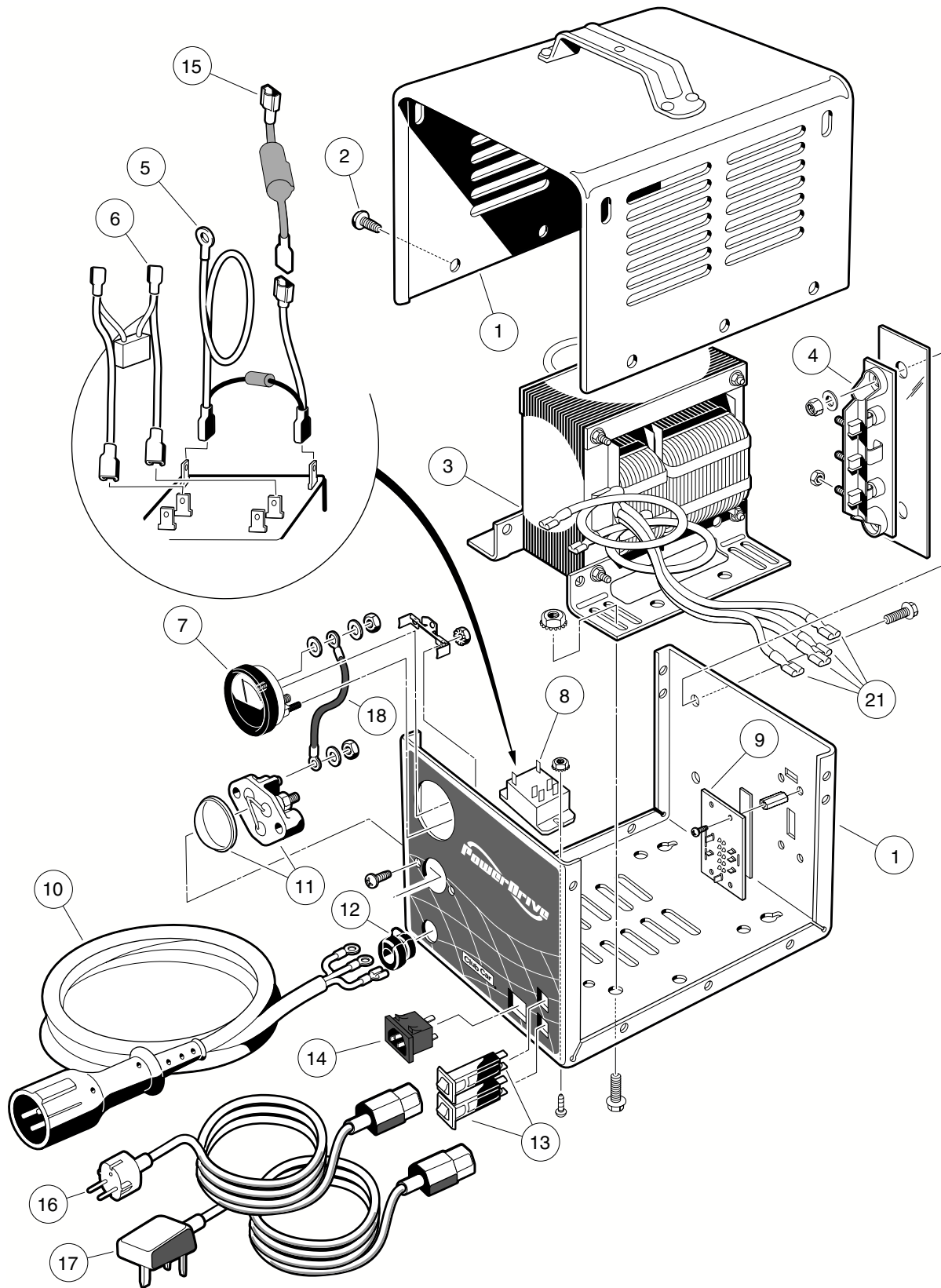
E

POWERDRIVE CHARGER, EXPORT

ITEM	PART NO.	DESCRIPTION	QTY
		<p style="margin: 0;">1 2 3 4</p> <p style="margin: 0;">PowerDrive chargers can be used with PowerDrive System 48, PowerDrive Plus, and IQ System vehicles.</p>	
	101831503	<p style="margin: 0;">Charger, Battery, PowerDrive, Export with 4-Position Switch 100 - 200 - 220 - 240 V AC, 48-V DC 50/60-Hz (model number 18780-11) (includes items 1 - 16) 103-inch DC cord with male 3-pin plug, 12-AWG 74-inch AC cord with no plug</p>	1
	101831504	<p style="margin: 0;">Charger, Battery, PowerDrive Export with 4-Position Switch 100 - 200 - 220 - 240 V AC, 48-V DC 50/60-Hz (model number 18780-18) (includes items 1 - 16) 144-inch DC cord with male 3-pin plug, 12-AWG 108-inch AC cord with no plug</p>	1
1	N/A	Assembly, Case	1
2	7577	Screw, Pan Head, Self-Tapping, #10-16 x 1/2	10
3	101838201	Assembly, Transformer	1
4	1015914	Assembly, Heatsink, with Diodes (includes mounting hardware)	1
5	101914401	Assembly, Voltage Suppressor	1
6	101838501	Kit, Wire Assembly	1
7	101828501	Ammeter (includes hardware)	1
8	101838301	Relay, Power, 48-V DC (includes mounting hardware)	1
9	101838701	Bracket, Power Relay Mounting	1
10	101838601	Switch, 4-Position Slide	1
11	101828901	Cordset, DC, 113-Inch Long with Male 3-Pin Plug, 12-AWG	1
11	101828902	Cordset, DC, 154-Inch Long with Male 3-Pin Plug, 12-AWG	1
11	101828903	Cordset, DC, 250-Inch Long with Male 3-Pin Plug, 12-AWG	1
12	1012101	Assembly, Fuse (includes hardware)	1
13	1012098	Bushing, Strain Relief, DC Cord, 12-AWG	1
14	101838401	Breaker, Circuit, 10-Amp	2
15	101831701	Cordset, AC, 80-Inch Long with Leads (no plug)	1
15	101831702	Cordset, AC, 116-Inch Long with Leads (no plug)	1
16	1015917	Bushing, Strain Relief, AC Cord	1

13

E



POWERDRIVE CHARGER, EUROPEAN

ITEM	PART NO.	DESCRIPTION	QTY
		1 2 3 4 PowerDrive chargers can be used with PowerDrive System 48, PowerDrive Plus, and IQ System vehicles.	
	101956201	Charger, Battery, PowerDrive, European with 4-Position Switch 100 - 200 - 220 - 240 V AC, 48-V DC 50/60-Hz (model number 20300) (includes items 1 - 15) 103-inch (261 cm) DC cord with male 3-pin plug, 12-AWG	1
	101956202	Charger, Battery, PowerDrive European with 4-Position Switch 100 - 200 - 220 - 240 V AC, 48-V DC 50/60-Hz (model number 20310) (includes items 1 - 15) 144-inch (366 cm) DC cord with male 3-pin plug, 12-AWG	1
1	N/A	Assembly, Case	1
2	7577	Screw, Pan Head, Self-Tapping, #10-16 x 1/2	10
3	****	Assembly, Transformer	1
4	1015914	Assembly, Heatsink, with Diodes (includes mounting hardware)	1
5	****	Assembly, AC Voltage Suppressor.....	1
6	****	Kit, Wire Assembly	1
7	101976601	Ammeter (includes hardware)	1
8	101987501	Relay, Power, 48-V DC (includes mounting hardware)	1
9	101838601	Switch, 4-Position Slide	1
10	101828901	Cordset, DC, 103-Inch (261 cm) Long with Male 3-Pin Plug, 12-AWG	1
10	101828902	Cordset, DC, 144-Inch (366 cm) Long with Male 3-Pin Plug, 12-AWG	1
11	1012101	Assembly, Fuse (includes hardware)	1
12	1012098	Bushing, Strain Relief, DC Cord, 12-AWG	1
13	101838401	Breaker, Circuit, 10-Amp	2
14	101973501	Receptacle, AC Cord	1
15	****	Assembly, Current Limiter	1
16	101958301	Cordset, AC, Continental Europe, 96-Inch (244 cm) Long (with male 2-pin plug)	1
17	101958201	Cordset, AC, U.K., 96-Inch (244 cm) Long (with male 3-pin plug)	1
18	N/A	Wire, Jumper.....	1
	****	Special order item available on request	

13

E

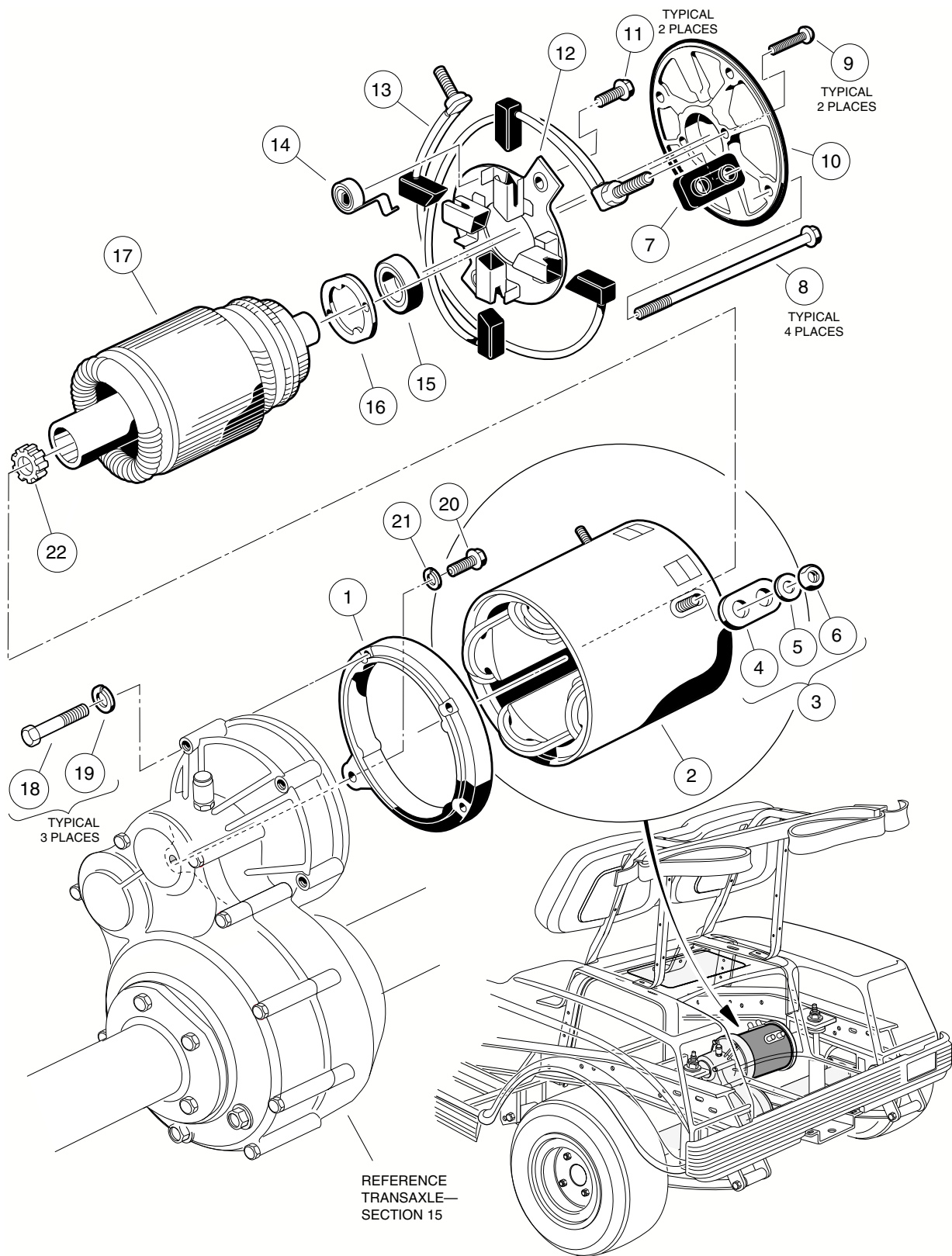
13

E

ELECTRIC MOTOR

14

E

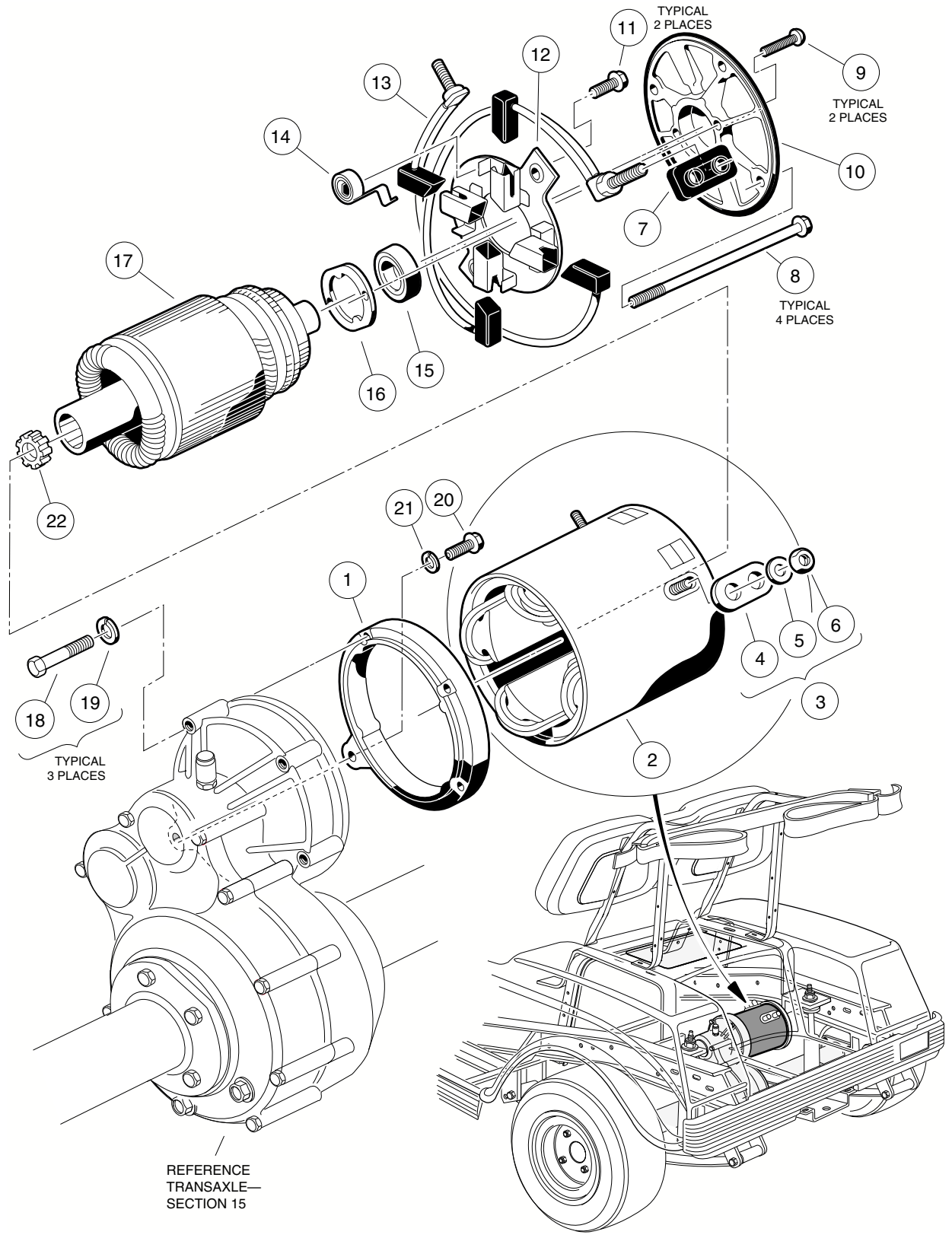


MOTOR – V-GLIDE 36-VOLT VEHICLE

ITEM	PART NO.	DESCRIPTION	QTY
		1 2 3 4	
	102237401	Assembly, 36-Volt Motor, 2.97-hp (includes items 1 - 17)	1
1	1017944	Shield, End	1
2	1017945	Assembly, Stator Shell and Winding	1
3	1017947	Package, Hardware (includes items 4 - 7)	1
4	N/A	Bushing, Insulator	2
5	N/A	Washer, Flat, 5/16	4
6	N/A	Nut, Hex, 5/16-18	4
7	N/A	Bushing, Insulator	2
8	1017952	Screw, Clamp	4
9	1017953	Screw, Bearing Retainer	2
10	1017951	Shield, End	1
11	1017949	Screw, Brush Holder	2
12	1017948	Rigging, Brush	1
13	1017946	Package, Brush (2 pieces) (includes 4 brushes).....	1
14	1011411	Package, Brush Spring (4 pieces)	1
15	1011290	Bearing, Ball	1
16	1017950	Retainer, Bearing	1
17	N/A	Armature	1
18	1014201	Screw, Hex Head Cap, 1/4-20 x 2-1/4	3
19	451	Washer, Lock, 1/4	3
20	1010934	Screw, Hex Head Cap, 5/16-18 x 1	1
21	7174	Washer, Lock, 5/16	1
22	102235201	Bumper, Motor	1

14

E

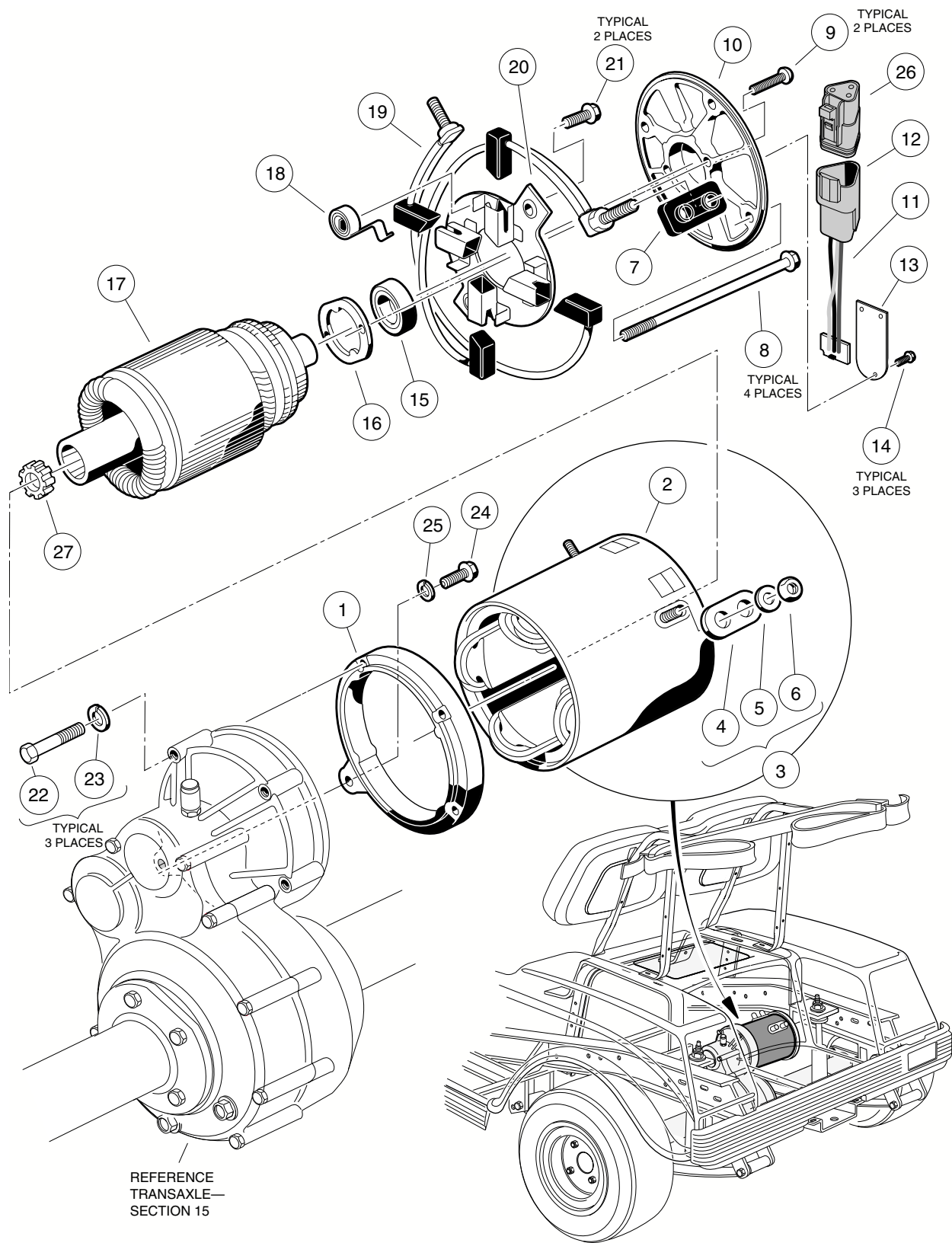


MOTOR – POWERDRIVE SYSTEM 48 VEHICLE

ITEM	PART NO.	DESCRIPTION	QTY
		1 2 3 4	
	102237701	Assembly, 48-Volt Motor, 3.10-hp (includes items 1 - 17)	1
1	1017944	Shield, End	1
2	1017958	Assembly, Stator Shell and Winding	1
3	1017947	Package, Hardware (includes items 4 - 7)	1
4	N/A	Bushing, Insulator	2
5	N/A	Washer, Flat, 5/16	4
6	N/A	Nut, Hex, 5/16-18	4
7	N/A	Bushing, Insulator	2
8	1017961	Screw, Clamp	4
9	1017953	Screw, Bearing Retainer	2
10	1017951	Shield, End	1
11	1017949	Screw, Brush Holder	2
12	1017948	Rigging, Brush	1
13	1017946	Package, Brush (2 pieces) (includes 4 brushes).....	1
14	1011411	Package, Brush Spring (4 pieces)	1
15	1011290	Bearing, Ball	1
16	1017950	Retainer, Bearing	1
17	N/A	Armature	1
18	1014201	Screw, Hex Head Cap, 1/4-20 x 2-1/4	3
19	451	Washer, Lock, 1/4	3
20	1010934	Screw, Hex Head Cap, 5/16-18 x 1	1
21	7174	Washer, Lock, 5/16	1
22	102235201	Bumper, Motor	1

14

E



MOTOR – POWERDRIVE PLUS VEHICLE

ITEM	PART NO.	DESCRIPTION	QTY
		1 2 3 4	
	101854501	Assembly, 48-Volt Motor, 3.20-hp (includes items 1 - 21)	1
1	1017944	Shield, End	1
2	101879201	Assembly, Stator Shell and Winding	1
3	1017947	Package, Hardware (includes items 4 - 7)	1
4	N/A	Bushing, Insulator	2
5	N/A	Washer, Flat, 5/16	4
6	N/A	Nut, Hex, 5/16-18	4
7	N/A	Bushing, Insulator	2
8	1017961	Screw, Clamp, #10-32 x 8-5/8	4
9	1017953	Screw, Bearing Retainer, #8-32 x 7/8	2
10	101879301	Shield, End (includes items 11 - 14)	1
11	101925801	Sensor, Hall Effect (includes item 12)	1
12	101895101	Housing, Female 3-Wire, Gray	1
13	N/A	Plate, Retaining	1
14	N/A	Screw, Retaining	3
15	1011290	Bearing, Ball	1
16	1017950	Retainer, Bearing	1
17	N/A	Armature	1
18	1011411	Package, Brush Spring (4 pieces)	1
19	1017946	Package, Brush (2 pieces) (includes 4 brushes)	1
20	1017948	Rigging, Brush	1
21	1017949	Screw, Brush Holder, #6-32 x 1/2	2
22	1014201	Screw, Hex Head Cap, 1/4-20 x 2-1/4	3
23	451	Washer, Lock, 1/4	3
24	1010934	Screw, Hex Head Cap, 5/16-18 x 1	1
25	7174	Washer, Lock, 5/16	1
26	101920101	Kit, 3-Pin Plug Assembly, Gray	1
27	102235201	Bumper, Motor	1

14

E

MOTOR – IQ SYSTEM VEHICLE

ITEM	PART NO.	DESCRIPTION	QTY
		1 2 3 4	
	102240102	Assembly, 48-Volt IQ Motor, 3.20-hp (includes items 1 - 23)	1
1	1017944	Shield, End	1
2	102265501	Assembly, Stator Shell and Winding	1
3	1017947	Package, Hardware (includes items 4 - 7)	1
4	N/A	Bushing, Insulator	2
5	N/A	Washer, Flat, 5/16	4
6	N/A	Nut, Hex, 5/16-18	4
7	N/A	Bushing, Insulator	2
8	102266101	Screw, Clamp, #10-32 x 8-1/4	4
9	1017953	Screw, Bearing Retainer, #8-32 x 7/8	2
	102265901	Assembly, End Shield (includes items 10 - 13)	1
10	102266001	Shield, End	1
11	102265601	Sensor, Motor Speed (includes item 12)	1
12	101942301	Housing, Female 3-Wire, Gray	1
13	102267001	Screw, Steel Hex, Thread-Rolling, #8 x 3/8	
14	102265701	Kit, Bearing and Magnet (includes items 15 and 16)	1
15	N/A	Bearing, Ball	1
16	N/A	Magnet	1
17	1017950	Retainer, Bearing	1
18	N/A	Armature	1
19	102327801	Assembly, Brush Rigging (includes items 20 - 22)	1
20	1011411	Package, Brush Spring (4 pieces)	1
21	102251901	Package, Brush (2 pieces) (includes 4 brushes)	1
22	1017948	Rigging, Brush	1
23	1017949	Screw, Brush Holder, #6-32 x 1/2	2
24	102235201	Bumper, Motor	1
25	1014201	Screw, Hex Head Cap, 1/4-20 x 2-1/4	3
26	451	Washer, Lock, 1/4	3
27	1010934	Screw, Hex Head Cap, 5/16-18 x 1	1
28	7174	Washer, Lock, 5/16	1
29	101920101	Kit, 3-Pin Plug Assembly, Gray	1

14

E

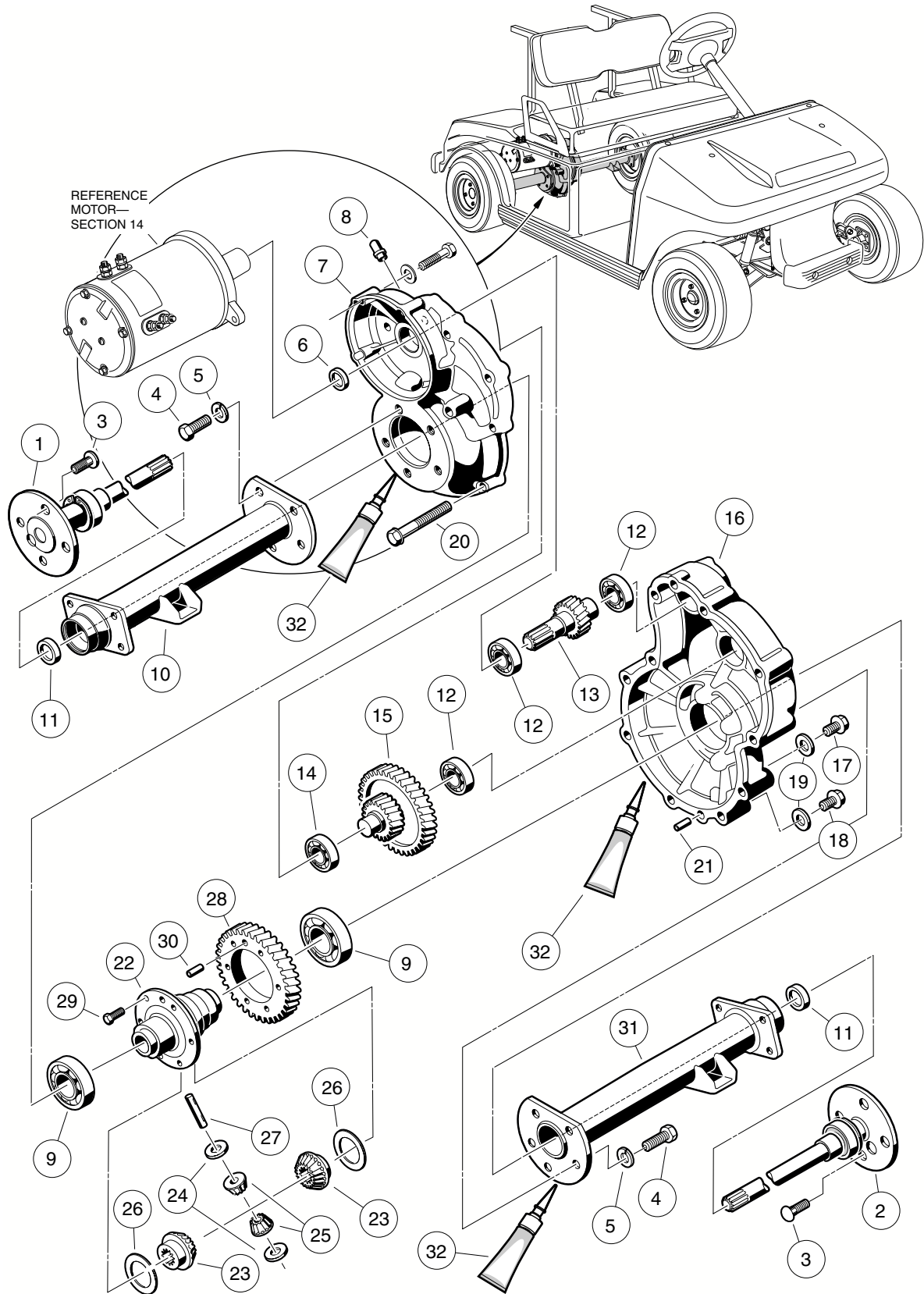
14

E

TRANSAXLE – ELECTRIC VEHICLE

15

E

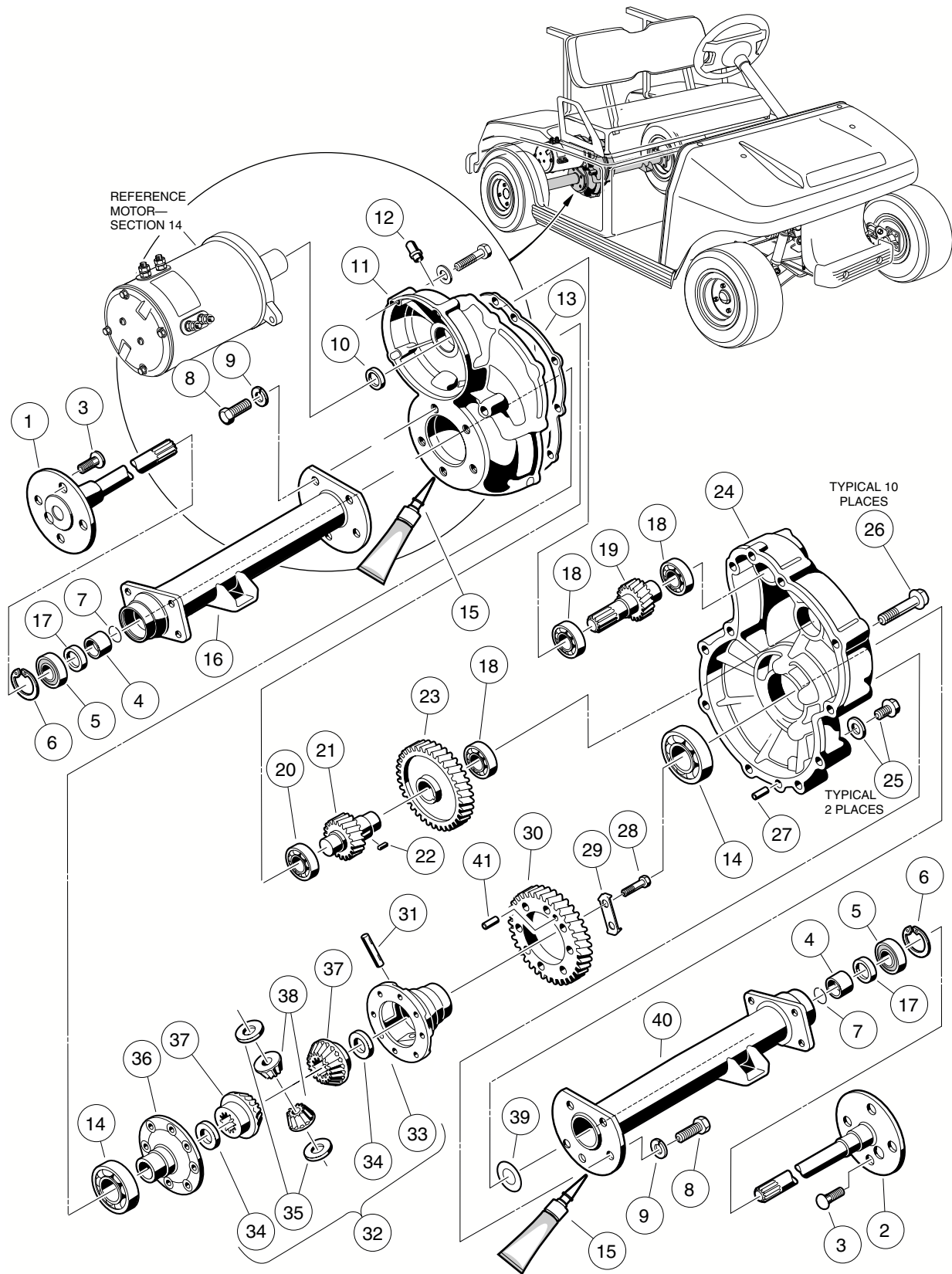


TRANSAXLE, TYPE G – ELECTRIC VEHICLE

ITEM	PART NO.	DESCRIPTION	QTY
		1 2 3 4	
	101896001	Transaxle, Type G (includes items 1 - 32)	1
1	101895801	Axle Assembly, Passenger Side (includes item 3)	1
2	101895901	Axle Assembly, Driver Side (includes item 3)	1
3	101922201	Stud, Lug	4
4	101976001	Bolt, M10 x 1.5 x 35 mm	10
5	101897901	Washer, Lock	10
6	101923501	Seal, Oil, Input Shaft	1
7	101895501	Gear Case, Passenger Side	1
8	101897201	Breather	1
9	7330	Bearing, Differential	2
10	101895601	Assembly, Axle Tube, Passenger Side	1
11	1013794	Seal, Oil, Axle Shaft	2
12	7335	Bearing, Input Gear.....	3
13	101923701	Shaft, Input	1
14	7336	Bearing, Intermediate Gear	1
15	101906901	Assembly, Intermediate Gear	1
16	101895401	Gear Case, Driver Side	1
17	101972201	Plug, Fill	1
18	101972101	Plug, Magnetic	1
19	101923201	Gasket, Plug	2
20	101897001	Bolt, M8 x 1.25 x 60 mm	11
21	101897601	Pin, Dowel	2
22	101923601	Housing, Differential	1
23	101923901	Gear, Differential	2
24	101903601	Plate, Thrust (idler gear)	2
25	101923001	Gear, Differential Idler	2
26	101903701	Plate, Thrust	2
27	101922101	Pin, Differential	1
28	101906201	Gear, Output	1
29	101897401	Bolt, M10 x 1.5 x 25 mm	4
30	101972401	Pin, Dowel	1
31	101895701	Assembly, Axle Tube, Driver Side	1
32	101928701	Gasket, Liquid, 8.8 oz. (250 g)	A/R
<p>Note: Transaxle type is identified by orientation of Gear Case Bolts (Item 20). The Type G Transaxle has Gear Case Bolt heads facing toward the passenger side of the vehicle.</p>			

15

E



TRANSAXLE, TYPE K – ELECTRIC VEHICLE

ITEM	PART NO.	DESCRIPTION	QTY
		1 2 3 4	
	N/A	Transaxle, Type K (includes items 1 - 41)	1
1	1013785	Axle Assembly, Passenger Side (includes items 3 - 7)	1
2	1013786	Axle Assembly, Driver Side (includes items 3 - 7)	1
3	1013787	Stud, Lug	4
4	1014207	Bushing, 25 mm I. D.	1
5	1011291	Bearing, Outer Axle Tube	1
6	1013792	Circlip, Type C	1
7	1016672	Ring, Retaining	1
8	1013790	Bolt, M10 x 1.5 x 30 mm	10
9	1013791	Washer, Lock	10
10	1013775	Seal, Input Shaft Oil	1
11	1013756	Gear Case, Passenger Side	1
12	1012711	Breather	1
13	1013758	Gasket, Case	1
14	7330	Bearing, Inner Axle Tube	2
15	101928701	Gasket, Liquid, 8.8 oz. (250 g)	2
16	1017704	Assembly, Axle Tube, Passenger Side	1
17	1013794	Seal, Axle Shaft Oil	2
18	7335	Bearing, Input Gear	3
19	1013764	Shaft, Input	1
20	7336	Bearing, Intermediate Gear	1
21	1013766	Gear, Intermediate, Small	1
22	1013780	Key, Sunk	1
23	1013765	Gear, Intermediate, Large	1
24	1013757	Gear Case, Driver Side	1
25	1013759	Plug, Fill, with Gasket	2
26	1013763	Bolt, M6 x 1 x 50 mm	10
27	1012710	Pin, Dowel	2
28	1013779	Bolt, M8 x 1.25 x 37 mm	8
29	1013782	Plate, Lock	4
30	1013767	Gear, Output	1
31	1013772	Pin, Differential	1
32	101910501	Kit, Differential Gear Case (includes items 33 - 36)	1
33	1013768	Gear Case, Differential (driver side)	1
34	1013773	Plate, Thrust (differential gear)	2
35	1013774	Plate, Thrust (idler gear)	2
36	1013769	Gear Case, Differential (passenger side)	1
37	1013771	Gear, Differential	2
38	1013770	Gear, Differential Idler	2
39	1013781	Shim	1
40	1017703	Assembly, Axle Tube, Driver Side	1
41	1014193	Pin, Dowel	1
		Note: Transaxle type is identified by orientation of Gear Case Bolts (item 26). The Type K Transaxle has Gear Case Bolt heads facing toward the driver side of the vehicle.	

15

E

15

G

E

MAINTENANCE AND SERVICE TOOLS

16

G

E

MAINTENANCE AND SERVICE TOOLS

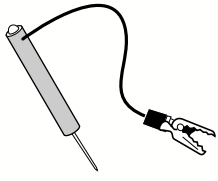
ITEM	PART NO.	DESCRIPTION	QTY GAS	QTY ELEC
		<p style="margin: 0;">1 2 3 4</p> <p style="margin: 0;">The following tool list includes all tools available from Club Car for maintenance and service procedures for gasoline and/or electric vehicles, both past and present models. Be sure to carefully examine the tool list for applicability to your vehicle before ordering.</p>		
1	101871001	Accelerator Pedal Adjustment Tool	1	1
2	101813202	Adhesive, Guide Ring, 3-Gram Tube	1	1
3	101831901	Battery Discharge Machine, 36/48 Volt		1
4	1014305	Battery Terminal Protector Spray	1	1
5	1011767	Battery Thermometer		1
6	1016417	Bearing and Oil Seal Remover Assembly	1	1
7	1016416	Bearing Driver Set	1	1
8	1012811	Bearing Puller	1	1
9	1012812	Bearing Puller Wedge Attachment	1	1
10	1013582	Brake Adjustment Tool (used only on vehicles with manually adjusted mechanical brakes)	1	1
	102249901	Brake Pedal Adjustment Tool Kit (used for the Carryall electric industrial truck only) (includes items 11 and 12)		1
11	****	Brake Pedal Tension Tool		1
12	****	Brake Pedal Adjustment Tool		1
13	101887101	Calibration Test Module		1
14	101808401	Cam Installation Tool	1	
	1014510	Clutch Tool Kit (includes items 15 - 21)	1	
15	1014498	Clutch Alignment Tool (for pre-unitized transaxle vehicles built prior to 1997 model year)	1	
16	1014496	Drive Clutch Puller	1	
17	1014497	Drive Clutch Hub Puller	1	
18	1014508	Driven Clutch Cam Puller	1	
19	1014507	Driven Clutch Puller Plug	1	
20	1015524	Drive Clutch Holder Tool Assembly	1	
21	101809101	Press Weldment	1	
22	101831801	Communication Display Module		1
23	101641002	Compression Gauge And Adapter	1	
		<p>Please refer to the maintenance and service manual for proper tool application.</p> <p>**** Special order item available upon request</p>		

16

G

E

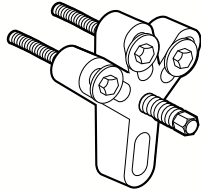
16
G
E



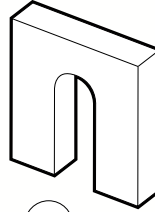
24



25



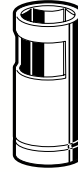
26



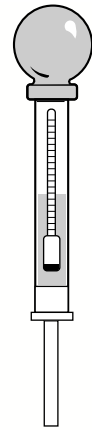
27



28



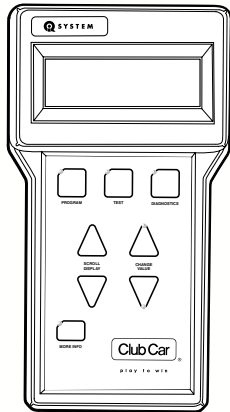
29



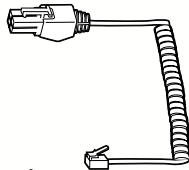
30



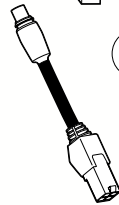
31



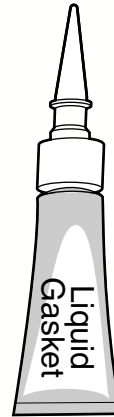
32



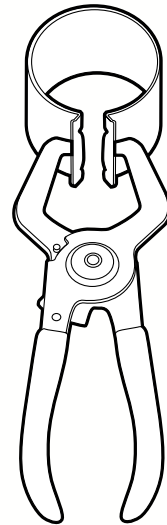
33



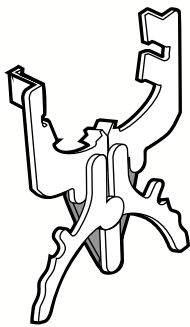
34



35



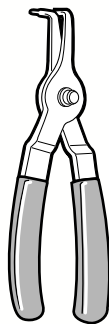
36



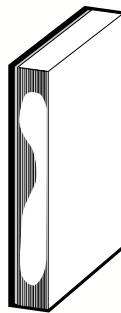
37



38



39



40



41



42

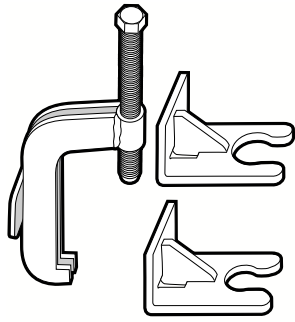


43

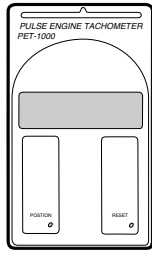
MAINTENANCE AND SERVICE TOOLS, CONTINUED

ITEM	PART NO.	DESCRIPTION	QTY GAS	QTY ELEC	
		1 2 3 4			16
24	1011273	Continuity Tester	1	1	G
25	1012151	Dry Moly Lubricant	1	1	E
26	1016627	Flywheel Puller Kit	1		
27	1016418	Gear Yoke	1	1	
28	101933101	Governor Shaft Installation Tool	1		
29	102169401	Hydraulic Brake Adjuster (for vehicles equipped with hydraulic brakes)	1		
30	1011478	Hydrometer	1	1	
31	1013593	Internal Retaining Ring Pliers	1	1	
32	102248801	IQ System Display Module (IQDM) Kit (for IQ System vehicles only)		1	
		(includes items 33 and 34)			
33	102241501	Cable, IQDM		1	
34	102251501	Adaptor, Cable		1	
35	101928701	Liquid Gasket (transaxle case)	1	1	
36	1016414	Piston Ring Compressor Kit (FE290, FE350 and FE400).....	1		
37	1016415	Piston Ring Pliers	1		
38	1012549	Retaining Ring Pliers, 45° External	1	1	
39	1012560	Retaining Ring Pliers, 90° Internal	1	1	
40	101823101	Safety First Card (50 per pack)	1	1	
41	1012809	Seal Puller	1	1	
42	1014264	Steering Column Bearing Press Tool	1	1	
43	1014259	Steering Column Retaining Ring Tool	1	1	
<p>Please refer to the maintenance and service manual for proper tool application.</p>					

16
G
E



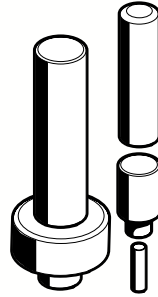
44



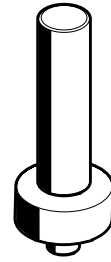
45



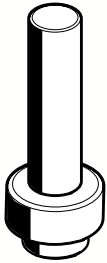
46



47



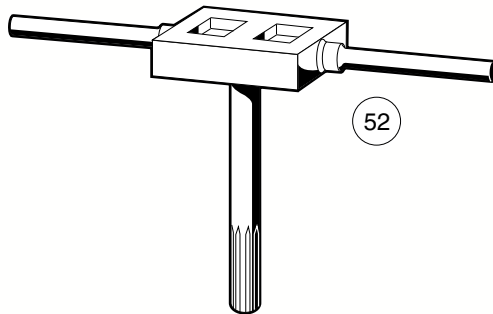
48



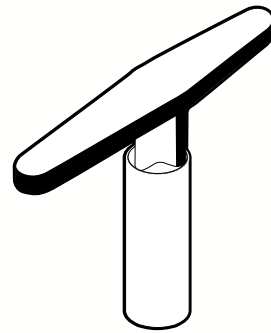
49



50

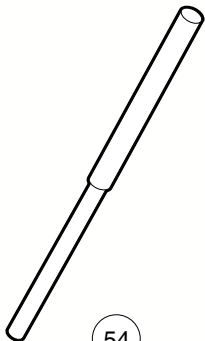


52

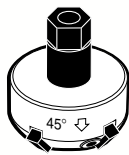


53

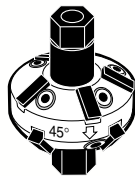
51



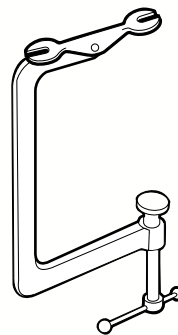
54



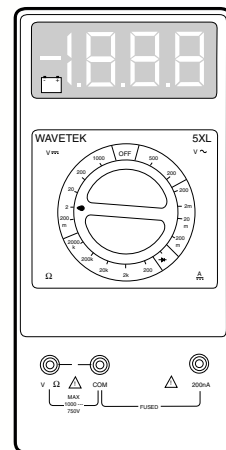
55



56



57



58

MAINTENANCE AND SERVICE TOOLS, CONTINUED

ITEM	PART NO.	DESCRIPTION	QTY GAS	QTY ELEC
		1 2 3 4		
44	102061201	Steering Wheel Puller Tool	1	1
45	1016112	Tachometer	1	
46	101997201	Paint, Touch-Up – Beige	1	1
46	101997202	Paint, Touch-Up – White	1	1
46	101997203	Paint, Touch-Up – Red	1	1
46	101997204	Paint, Touch-Up – Gray	1	1
46	101997205	Paint, Touch-Up – Dark Gray	1	1
46	101997206	Paint, Touch-Up – Royal Blue (Pacific Blue)	1	1
46	101997207	Paint, Touch-Up – Black	1	1
46	101997209	Paint, Touch-Up – Dark Green	1	1
46	101997211	Paint, Touch-Up – Classic Blue (Navy)	1	1
46	101997212	Paint, Touch-Up – Burgundy	1	1
47	1014115	Transmission Tool Kit	1	
48	1014161	Transaxle Pinion Seal Tool	1	
49	1014162	Transaxle Axle Seal Tool	1	
50	1016413	Valve Clearance Adjuster Screw Holder (for FE290 engines only)	1	
51	101641201	Valve Guide Reamer	1	
52	101641202	Arbor	1	
53	1016551	Valve Seat Cutter T-Wrench	1	
54	1016552	Valve Seat Cutter Guide	1	
55	1016553	Valve Seat Cutter, 45° (32 mm diameter) (for FE290 engines only)	1	
56	1016554	Valve Seat Cutter, 45°/30° (35 mm diameter)	1	
57	101641101	Valve Spring Compressor	1	
58	1011480	Volt Ohm Meter	1	1
59	101611003	Tune-Up Kit, All OHV (includes air filter, spark plug, oil filter, fuel filters) (not shown)	1	
<p>Please refer to the maintenance and service manual for proper tool application.</p>				

16

G

E

16

G

E

INDEX

Part Number and Page

183	8-11	8233	1-7, 1-9, 1-13, 1-15, 1-17, 4-7, 6-5, 8-3, 12-7, 12-15, 12-33, 12-43	1011304	5-9
304	12-7	8248	6-5, 8-3, 12-33, 12-43	1011393	5-9
324	1-17	8251	1-7, 1-9, 6-5	1011394	1-5
332	1-7, 1-9, 1-11, 1-17, 6-5, 8-11, 9-3, 12-11, 12-33, 12-43	8418	1-13, 1-15	1011402	4-5
334	4-7, 5-3, 5-5	8449	12-9, 12-21	1011411	14-3, 14-5, 14-7, 14-9
357	5-9	8450	12-7, 12-15, 12-39	1011415	5-11
451	9-3, 12-7, 12-9, 12-11, 12-15, 12-21, 12-37, 14-3, 14-5, 14-7, 14-9	8626	4-5	1011418	4-5
705	6-13	8639	12-13, 12-47	1011466	4-3
706	5-9	8717	6-5, 6-7	1011478	16-5
1016	12-13	8745	5-9	1011480	16-7
1017	12-9, 12-21, 12-39	8754	4-7, 5-3, 5-5, 5-7, 5-9, 5-11, 6-13	1011558	12-19
1028	4-5, 12-7, 12-9, 12-11, 12-15, 12-21, 12-37	8755	5-9	1011578	12-13, 12-17, 12-35, 12-45
1032	4-5	8795	12-13	1011652	1-11
1035	4-3, 5-5, 5-7	8796	12-13	1011694	4-7
1218	12-19, 12-39	8797	12-13	1011697	1-3, 5-3, 8-7, 8-9
1241	1-5, 1-13, 1-15, 4-5, 4-7, 6-7, 6-13, 6-15, 12-19, 12-39	8861	5-7	1011700	4-7
1242	4-5, 6-7, 6-13, 12-19, 12-39, 12-47	8990	5-5, 12-3, 12-21, 12-33, 12-39, 12-43	1011734	4-7
1308	5-7	8755	5-11	1011767	16-3
1606	8-11, 12-13	1010005	5-9	1011779	4-3, 4-5
1624	4-7, 5-5, 5-9	1010124	5-7	101187702	4-5, 4-7
2402	5-7	1010138	5-7	1011887	5-9
4107	12-13	1010145	5-11	1011892	5-9
7048	5-9	1010150	5-9	1011930	5-5, 5-7
7173	6-13, 6-15, 10-5, 12-19, 12-39	1010200	5-7	1011931	12-11, 12-37
7174	5-3, 6-13, 8-9, 9-3, 12-13, 12-19, 12-37, 12-39, 12-47, 14-3, 14-5, 14-7, 14-9	1010219	5-7	1011988	8-3
7251	1-5	1010347	5-9	1011997	12-7
7310	2-3	1010348	5-9	1012022	12-13
7330	11-7, 15-3, 15-5	1010413	1-13, 1-15	1012030	5-9
7335	11-5, 15-3, 15-5	1010434	1-3, 1-13, 1-15	1012042	13-3, 13-5, 13-7
7336	11-5, 15-3, 15-5	1010435	1-5	1012047	1-7, 1-9
7473	1-3, 1-5, 1-13, 1-15, 4-5, 4-7, 6-7, 6-13, 6-15, 12-9, 12-21	1010521	12-13	1012098	13-3, 13-5, 13-7, 13-9, 13-11, 13-13, 13-15
7479	1-9, 1-13, 1-15	1010543	1-11	1012101	13-3, 13-5, 13-7, 13-9, 13-13, 13-15
7539	5-7	1010805	4-5	1012151	16-5
7540	5-5, 5-7	1010829	4-3	1012159	1-9
7555	5-5, 5-7	1010850	4-3	1012164	7-15
7569	5-11	1010877	4-5	1012180	5-11
7577	13-3, 13-5, 13-7, 13-9, 13-11, 13-13, 13-15	1010878	4-5	1012181	5-11
7602	5-5, 5-7	101090801	12-13, 12-17, 12-35, 12-45	1012182	5-11
7716	4-5, 4-7	1010921	1-13, 1-15, 4-5	1012285	6-5, 8-9, 12-11, 12-13, 12-19, 12-37, 12-39, 12-47
7818	1-13, 1-15, 6-7	1010932	4-5	1012295	6-7
7840	5-9	1010933	4-5	1012303	5-9, 5-11
7847	1-3, 1-7, 9-3	1010934	6-15, 14-3, 14-5, 14-7, 14-9	1012304	5-11
7893	6-5, 6-7, 12-13	1010954	6-5, 6-7, 11-3	1012324	5-11
7910	5-9	1010958	12-5, 12-13	1012328	6-15
7973	1-3	1010974	5-11	1012333	6-5
8049	12-7, 12-15	1010984	2-3, 5-9	1012353	12-9, 12-21
8056	12-9, 12-21	1011010	12-5	1012382	6-3
8057	6-5, 6-7, 12-7, 12-9, 12-15, 12-21	1011014	1-5	1012412	1-7, 1-9
8058	6-5, 6-7, 12-7, 12-9, 12-15, 12-21	1011017	1-5	1012431	6-5, 6-7
8067	5-9	1011069	12-5	1012467	5-5
		1011084	4-7	1012505	6-9, 12-3
		1011229	6-9	1012528	9-3, 12-19, 12-37, 12-47
		1011273	16-5	1012549	16-5
		1011290	14-3, 14-5, 14-7	1012560	16-5
		1011291	11-7, 15-5		

INDEX

1012565	5-3	1013683	12-13, 12-17, 12-35, 12-45	1014030	12-5
1012566	5-3	1013687	8-3	1014032	12-5
1012571	7-15	1013692	8-3	1014033	12-5
1012594	6-5	1013700	8-9	1014034	12-5
1012604	5-3	1013734	9-3, 12-47	1014035	12-5
1012605	5-3	1013746	8-3, 8-7	1014036	12-5
1012649	8-3	1013754	1-13, 1-15	1014039	12-5
1012651	12-5	1013756	15-5	1014045	12-11
1012710	15-5	1013757	15-5	1014049	10-3
1012711	11-3, 15-5	1013758	15-5	1014050	10-3
1012714	11-5	1013759	11-3, 15-5	1014051	10-3
1012740	11-5	1013763	15-5	1014052	10-3
1012741	11-5	1013764	15-5	1014055	10-3
1012747	11-5	1013765	15-5	1014056	10-3
1012748	11-5	1013766	15-5	1014057	10-3
1012752	11-3	1013767	15-5	1014058	10-3
1012809	16-5	1013768	11-7, 15-5	1014059	10-3
1012811	16-3	1013769	11-7, 15-5	1014065	6-5, 6-7
1012812	16-3	1013770	11-7, 15-5	1014070	10-5
1012830	6-13, 9-3	1013771	11-7, 15-5	1014072	10-5
1012903	12-9, 12-21	1013772	11-7, 15-5	1014078	10-5
1012981	7-5	1013773	11-7, 15-5	1014080	10-5
1012987	6-5, 12-7, 12-15	1013774	11-7, 15-5	1014089	6-5
1013001	6-11	1013775	15-5	1014109	12-9, 12-21
1013003	6-11	1013779	15-5	1014115	16-7
1013005	6-11	1013780	15-5	1014116	8-3
101301102	6-11	1013781	15-5	1014119	6-3
1013032	1-7, 1-9	1013782	15-5	1014125	5-3
1013035	5-5	1013785	15-5	1014126	5-3
1013042	5-5	1013786	15-5	1014145	6-5, 6-7
1013044	5-5	1013787	11-7, 15-5	1014153	4-3
1013051	5-5	1013790	11-7, 15-5	1014161	16-7
1013052	5-5	1013791	11-7, 15-5	1014162	16-7
1013061	12-9, 12-17, 12-21, 12-35, 12-45	1013792	15-5	1014189	12-9, 12-21
1013092	12-5, 12-13	1013794	11-7, 15-3, 15-5	1014193	11-7, 15-5
1013135	5-9	1013860	12-9, 12-21	1014198	1-5
1013140	1-7, 1-9	1013861	5-3	1014201	14-3, 14-5, 14-7, 14-9
1013164	5-11	1013869	4-5	1014207	11-7, 15-5
1013198	6-5, 12-7, 12-15	1013870	4-5	1014213	5-3
1013207	4-3, 5-11	1013871	4-7	1014214	5-3
1013266	12-13	1013876	4-5	1014216	5-3
1013343	1-3	1013886	12-9, 12-21	1014217	5-3
1013344	1-3	1013887	12-9, 12-21	1014235	5-7
101342501	12-13	1013924	4-3, 7-15	1014236	5-11
1013461	12-21	1013935	1-13, 1-15	1014253	12-9, 12-21
101347501	1-5	1013971	12-11	1014259	16-5
1013496	3-5	1013998	12-9, 12-21	1014264	16-5
1013531	4-5	1014000	12-9, 12-21	1014276	5-9
1013582	16-3	1014003	12-9, 12-21	1014288	5-3, 6-15, 12-19, 12-39, 12-47
1013587	6-5	1014007	4-7	1014289	6-11
1013589	6-5, 6-7	1014010	12-9, 12-21	1014304	12-13, 12-17, 12-35, 12-45
1013590	6-5	1014012	12-11	1014305	16-3
1013591	6-5	1014013	12-11	1014306	1-7, 1-9
1013593	16-5	1014014	12-11	1014374	6-15
1013609	6-7	1014017	12-9, 12-21	1014375	6-15
1013628	12-13	1014019	12-9, 12-21	1014413	8-9
1013649	12-13	1014029	12-5	1014414	12-9, 12-21

INDEX

1014453	10-3	101570507	2-3	1016342	6-5
1014454	10-5	101570513	2-3	1016346	5-7
1014476	12-11	1015707	2-3	1016349	5-7
1014482	1-13, 1-15	1015720	6-9	1016350	5-7
1014496	16-3	1015737	6-3, 6-7	1016353	5-7
1014497	16-3	1015741	6-7	1016379	1-3
1014498	16-3	1015752	6-7, 8-11, 12-23	1016384	5-9
1014507	16-3	1015769	6-3	1016385	5-7
1014508	16-3	1015777	6-7	1016386	5-9
1014510	16-3	1015814	9-3	1016387	5-9
1014516	12-13	1015845	8-9	1016389	5-9
1014523	8-3	1015878	6-7	101641002	16-3
1014524	8-3	1015905	13-3, 13-5, 13-7	101641101	16-7
1014528	12-7, 12-15	1015906	13-3, 13-5, 13-7	101641201	16-7
1014555	5-11	1015907	13-3	101641202	16-7
1014645	1-3	1015910	13-3, 13-5	1016413	16-7
1014696	13-5	1015911	13-3, 13-5, 13-7	1016414	16-5
1014727	6-5	1015912	13-3	1016415	16-5
1014728	12-11	1015913	13-3, 13-5, 13-7	1016416	16-3
1014729	12-11	1015914	13-3, 13-5, 13-7, 13-9, 13-13, 13-15	1016417	16-3
1014735	12-9	101591601	13-3	1016418	16-5
1014771	2-3	101591602	13-3	101642572	8-5
1014807	6-5, 6-7, 12-9, 12-21	1015917	13-3, 13-5, 13-7, 13-9, 13-13	101642575	8-5
1014808	6-7, 12-7, 12-15	1015920	6-3, 6-13	101642578	8-5
1014828	12-5	1015932	6-13	101642580	8-5
1014871	12-15	1015936	13-5	101642582	8-5
1014928	8-3	1015939	13-7	1016429	7-7
1014947	12-19, 12-25, 12-27, 12-47	1015969	7-3	1016430	7-9
1014948	12-13, 12-19, 12-37	1016003	8-3	1016431	7-9
1014999	12-9, 12-21	1016068	12-5	1016432	7-7, 11-3
1015032	1-3, 1-5, 1-7, 1-9	1016069	12-5	101643301	13-3, 13-5, 13-7
1015069	12-37	1016070	12-5	101643302	13-3, 13-5, 13-7
1015072	12-13, 12-17, 12-35, 12-45	1016074	6-13	101643303	13-3, 13-5, 13-7
1015075	1-13, 1-15, 6-13, 9-3	101610901	3-5, 12-9, 12-21	101643401	13-5
1015137	8-3, 8-7	101611003	16-7	1016435	7-7
1015139	8-3	1016112	16-7	1016436	7-9
1015143	8-3	1016140	12-9	1016437	8-5
1015188	8-3	1016154	5-3	1016438	8-7
101524001	6-13	1016156	5-3	1016439	8-7
1015330	9-3	1016175	12-9, 12-21, 12-39	1016440	8-7
1015332	6-3, 7-3	1016181	5-3	1016441	8-7
1015371	6-7	1016183	5-3	1016442	7-9
1015372	6-7	1016201	6-5	1016443	7-3
1015373	6-7	1016202	8-9	1016444	8-7
1015405	6-7	1016203	10-3, 10-5	1016445	7-5
1015408	8-9	1016214	5-3	1016446	7-11
1015426	8-11	101621601	3-3, 3-5	1016447	7-9
101547601	3-3	1016219	5-3	1016448	7-9
1015524	16-3	1016263	5-3	1016449	7-9
1015525	1-7, 1-9	1016269	5-3	1016450	7-9
1015545	5-3	1016282	13-7	1016451	7-9
1015583	5-9, 5-11	1016289	10-3	1016452	7-9
1015597	5-5, 5-7, 5-9	1016336	13-7	1016453	7-11
1015649	7-3	1016337	11-5	1016454	7-11
101567202	2-3	1016338	11-5	1016455	7-5
101570501	2-3	1016341	11-3	1016456	7-3, 7-5, 7-11
101570502	2-3			1016457	7-7

INDEX

1016458	7-9, 7-11	1016533	7-13	1016622	5-3
101645901	7-13	1016535	7-11	1016627	16-5
101645902	7-13	1016536	7-3	1016630	6-9
101645903	7-13	1016537	7-7	1016663	5-3
1016460	7-13	1016538	7-11	1016672	11-7, 15-5
101646101	7-13	1016539	7-3	1016801	10-3
101646102	7-13	1016541	7-13	1016845	12-7, 12-15
101646103	7-13	1016542	7-9	1016849	6-9, 12-3
101646201	13-7	1016544	7-5, 7-9, 7-11	1016851	6-9, 12-3
101646401	13-3	1016545	7-9, 12-19, 12-37	1016859	6-9, 12-3
1016467	7-7	1016546	8-9	1016868	1-5
1016469	7-13	1016547	7-3, 7-13, 8-7	1016875	1-3
1016470	7-13	1016548	7-5	1016876	1-3
1016471	7-9	1016549	7-9	1016883	6-13
1016472	7-11	101655001	7-13	1016896	12-7
1016473	7-7	101655002	7-13	1016916	1-11
1016474	7-9	101655003	7-13	101692501	1-5
101647501	7-13	101655004	7-13	101692502	1-5
101647502	7-13	101655005	7-13	101692504	1-5
1016479	7-9	101655006	7-13	101692506	1-5
1016480	8-7	101655007	7-13	101692509	1-5
101648102	8-7	101655008	7-13	101692510	1-5
101648203	7-7	101655009	7-13	101692511	1-5
1016483	7-9	1016551	16-7	101692512	1-5
1016484	7-7	1016552	16-7	101692513	1-5
1016486	8-5	1016553	16-7	101692601	1-7
1016489	7-9	1016554	16-7	101692602	1-7
101649002	8-7	1016558	7-13	101692604	1-7
1016493	7-5	1016559	7-13	101692606	1-7
1016494	7-11	1016560	7-9	101692609	1-7
1016496	7-11	1016561	7-5	101692610	1-7
1016497	7-5	1016562	7-5, 7-13	101692611	1-7
1016499	8-5	1016563	7-9	101692612	1-7
1016501	8-5	1016564	7-11	101692613	1-7
1016502	7-7	1016565	7-11	101693301	1-9
1016505	7-5	1016566	7-9	101693302	1-9
1016506	7-11	1016567	7-11	101693304	1-9
1016507	7-3	1016568	7-13	101693306	1-9
1016509	7-13	1016569	7-9	101693309	1-9
1016510	7-11	1016570	7-7	101693310	1-9
1016512	7-3	1016571	7-13	101693311	1-9
101651401	2-3	1016572	8-7	101693312	1-9
101651402	2-3	1016576	7-7	101693313	1-9
101651407	2-3	1016578	7-5	101693901	1-5
101651408	2-3	1016579	7-5	101693902	1-5
101651413	2-3	1016580	7-13	101693904	1-5
1016516	7-13	1016581	7-7	101693906	1-5
1016517	7-9	1016582	8-7	101693908	1-5
1016519	7-9	1016583	7-9	101693909	1-5
1016520	7-11	1016584	7-11	101693910	1-5
1016521	7-11	1016585	8-5	101693911	1-5
1016523	7-9	1016586	7-5	101693912	1-5
1016524	7-3	1016587	7-5	1016947	6-5
1016525	7-3	1016588	7-5	1016952	1-3
1016526	7-3	101660404	1-3	101696201	1-9
1016531	7-3	101661601	12-13	101696202	1-9
1016532	7-13	101661602	12-13	101696204	1-9

INDEX

101696206	1-9	1017936	1-7, 1-9	101823901	4-3
101696208	1-7	1017944	14-3, 14-5, 14-7, 14-9	101824001	4-3
101696209	1-7	1017945	14-3	101824002	4-3
101696211	1-7	1017946	14-3, 14-5, 14-7	101824401	8-3
101696213	1-7	1017947	14-3, 14-5, 14-7, 14-9	101825101	3-3, 3-5
101696215	1-7	1017948	14-3, 14-5, 14-7, 14-9	101826201	12-3
101696216	1-7	1017949	14-3, 14-5, 14-7, 14-9	101826301	6-9
101696217	1-9	1017950	14-3, 14-5, 14-7, 14-9	101827101	7-15
101696218	1-9	1017951	14-3, 14-5	101827801	12-19, 12-39, 12-47
101696219	1-7	1017952	14-3	101828301	13-9
101696220	1-7	1017953	14-3, 14-5, 14-7, 14-9	101828501	13-9, 13-13
101696221	1-7	101795701	12-17, 12-25, 12-27, 12-29, 12-31, 12-35, 12-41, 12-45	101828601	13-9, 13-11
101696222	1-9	1017958	14-5	101828701	13-9, 13-11
101696223	1-9	1017961	14-5, 14-7	101828801	13-9, 13-11
101696224	1-9	101796201	4-7	101828802	13-9, 13-11
1016967	1-5	101796501	12-17, 12-35, 12-45	101828901	13-9, 13-13, 13-15
1017029	4-5	101796801	12-17, 12-35, 12-45	101828902	13-9, 13-13, 13-15
101706702	1-3	101797701	12-17, 12-35, 12-45	101828903	13-9, 13-13
101707206	1-13	101797702	12-17, 12-35, 12-45	101828904	13-11
1017079	1-3	101797801	12-17, 12-35, 12-45	101828905	13-11
1017080	1-5	101801001	12-17, 12-35, 12-45	101828906	13-11
101708301	1-3	101802101	12-17, 12-35, 12-45	101830601	6-9
1017141	1-7, 1-9	101802201	13-9	101830701	6-9, 12-3
1017203	8-3	101802202	13-9	101831101	13-9
1017221	7-3	101802203	13-9	101831401	12-13
1017226	5-3	101802204	13-11	101831503	13-13
1017231	11-3	101802205	13-11	101831504	13-13
1017237	12-37	101802206	13-11	101831701	13-13
1017266	5-7	101802601	1-3, 12-3	101831702	13-13
1017273	5-3	1018028	12-37	101831801	16-3
1017328	10-3	1018038	12-39	101831901	16-3
1017378	4-7	101804301	8-11	101832001	12-17, 12-35, 12-45
1017380	4-7	101805701	8-11	101832101	7-15
1017424	4-7	101808401	16-3	101832201	8-9
1017448	7-5	101809101	16-3	101832301	8-9
1017455	7-5	101811401	8-11	101832401	8-9
1017456	7-7	101811501	8-11	101832501	8-9
1017461	8-5	101811901	8-11	101832701	7-15
1017466	8-7	101812301	8-11	101832901	7-15
1017507	7-7	101813202	16-3	101833001	7-15
101753005	12-15	101813202	16-3	101833201	7-15
1017653	6-11	101815501	4-3	101833301	7-15
101768202	1-3	101815502	4-3	101833401	10-5
1017686	10-5	101816301	4-3	101833601	11-3
1017689	9-3	101816501	4-3	101833701	6-11, 6-13
1017692	12-9	101816502	4-3	101833902	10-3
101769302	2-3	101817401	4-7	101834001	10-5
1017696	4-7	101818801	4-7	101834502	6-9, 12-3
1017703	15-5	101819701	13-9	101834601	7-15
1017704	15-5	101820201	8-7	101834801	11-3
1017705	12-17, 12-35, 12-45	101821301	6-7	101835601	1-17
1017748	1-7, 1-9	101821501	8-11	101836201	10-5
1017774	1-13, 1-15	101823101	16-5	101837101	8-11
1017799	12-15	101823201	4-3	101837301	6-3, 6-13
1017814	1-9	101823301	4-3	101838201	13-13
1017815	1-9	101823302	4-3	101838301	13-13
101791101	4-3	101823801	4-3	101838401	13-13, 13-15

INDEX

101838501	13-13	101881701	8-11	101903501	8-9
101838601	13-13, 13-15	101883002	12-25, 12-27	101903601	15-3
101838701	13-13	101883601	12-37	101903701	15-3
101840201	12-19	101884801	7-15	101904101	1-7, 1-9
101850301	8-11	101887101	16-3	101905601	8-5, 8-7
101851101	6-9	101887601	7-3, 8-7	101906201	15-3
101853502	12-29, 12-31	101887901	12-39, 12-47	101906901	15-3
101853602	12-29, 12-31	101888201	12-37	101908101	12-33, 12-43
101854501	14-7	101889302	6-3	101908401	12-33, 12-43
101855001	12-33	101889401	11-5	101908601	3-5
101855002	12-43	101889901	11-5	101908701	12-19, 12-37, 12-47
101855801	6-5	101890001	11-5	101909201	7-5
101855901	7-15	101890101	11-3	101909301	7-5
101856001	12-33, 12-43	101890201	11-3	101909401	7-5
101856101	12-33, 12-43	101890601	11-3	101909501	7-5
101856102	6-7	101890901	11-7	101909701	7-3
101856201	8-11	101891001	11-7	101909901	12-19
101859301	9-3	101891301	11-3	101909902	12-39, 12-47
101861901	4-7	101891401	11-7	101910401	1-13, 1-15, 12-19, 12-39, 12-47
101862001	4-7	101891501	11-7	101910501	11-7, 15-5
101869302	6-11	101891601	11-5	101912401	4-7
101871001	16-3	101891901	11-5	101914401	13-9, 13-13
101871901	4-7	101892001	11-5	101915201	3-3
101874901	6-11	101892201	11-5	101915401	7-11
101875001	6-11	101892301	11-5	101915501	7-13
101875101	6-11	101892401	11-5	101915601	7-3
101875201	6-11	101892501	11-5	101915701	7-5
101875301	6-11	101892601	11-5	101915801	7-5
101875401	6-11	101892701	11-7	101916501	10-3
101875501	6-11	101893201	11-5	101916701	6-13, 10-3
101875601	6-11	101894901	12-17, 12-35, 12-45	101917601	8-11
101875701	6-11	101895101	14-7	101917701	8-11
101875802	6-11	101895401	15-3	101920001	12-29, 12-31, 12-41
101876001	6-11	101895501	15-3	101920101	12-19, 12-21, 12-23, 12-43, 14-7, 14-9
101876202	6-11	101895601	15-3	101921501	8-11
101876301	6-11	101895701	15-3	101922101	15-3
101876402	6-11	101895801	15-3	101922201	15-3
101876501	6-11	101895901	15-3	101922301	7-13
101877601	6-11	101896001	15-3	101922501	12-33, 12-43
101877701	6-11	101896501	6-11	101922601	6-5, 11-3
101878101	6-11	101896901	8-3	101923001	15-3
101878201	4-5	101897001	15-3	101923201	15-3
101878302	5-5	101897201	15-3	101923501	15-3
101879001	6-11	101897401	15-3	101923601	15-3
101879201	14-7	101897601	15-3	101923701	15-3
101879301	14-7	101897901	15-3	101923901	15-3
101879401	5-5	101898001	6-15	101925601	10-3
101879501	5-5	101900801	4-3, 5-11	101925701	8-11
101879601	5-5	101900901	6-9	101925801	14-7
101879701	5-5	101901201	12-25, 12-27	101927101	11-3
101879801	5-5	101901301	12-25, 12-27	101927201	11-3
101879901	5-5	101901401	12-25, 12-27	101927501	11-5
101880001	5-5	101901501	12-25, 12-27	101927601	11-5
101880101	5-5	101902801	12-25, 12-27, 12-29, 12-31	101927801	11-5
101880201	5-5	101902901	12-25, 12-27, 12-29, 12-31	101927901	11-5
101880301	5-5	101903001	12-25, 12-27		
101881101	7-5	101903101	5-9		

INDEX

101928001	11-5	101979101	6-5, 12-15	102169401	16-5
101928101	11-5	101980801	11-5	102174201	1-11
101928301	11-7	101980901	11-5	102174202	1-11
101928701	11-3, 15-3, 15-5, 16-5	101981001	11-5	102174204	1-11
101929801	10-3	101984801	5-3	102174205	1-11
101931501	3-5	101985501	1-11	102196601	12-41
101932001	12-21	101987501	13-15	102196901	12-43
101932401	12-43	101987601	1-11	102198301	1-17
101932501	12-43	101987701	8-3	102198601	12-43
101932601	12-39, 12-47	101990801	4-5	102199601	12-41
101932701	12-39, 12-47	101992601	6-7	102221201	1-3, 1-7, 1-9
101932801	12-21	101997201	16-7	102235201	14-3, 14-5, 14-7, 14-9
101933101	16-5	101997202	16-7	102236601	1-15
101935501	12-3	101997203	16-7	102236703	1-15
101936801	12-23	101997204	16-7	102237001	1-15
101939901	6-11	101997205	16-7	102237401	14-3
101942301	12-19, 12-21, 12-43, 14-9	101997206	16-7	102237701	14-5
101946901	12-21	101997207	16-7	102237903	1-13
101949201	12-9, 12-21	101997209	16-7	102238301	1-15
101951501	6-5	101997211	16-7	102238302	1-15
101952401	3-3, 3-5	101997212	16-7	102238304	1-15
101953001	4-5	101998201	1-11	102238305	1-15
101953101	4-5	101998202	1-11	102240102	14-9
101953901	7-3	101998204	1-11	102240501	12-47
101954301	1-11	101998205	1-11	102240701	12-47
101956201	13-15	101998501	1-11	102240801	12-47
101956202	13-15	102003201	8-3	102241501	16-5
101957901	12-37	102018001	12-5	102242401	1-13, 1-15
101958101	8-11	102022101	4-3, 4-5	102248801	16-5
101958201	13-15	102026001	4-7	102249901	16-3
101958301	13-15	102047201	12-13	102251501	16-5
101959901	3-5	102048301	12-13	102251901	14-9
101959902	3-5	102052503	12-25	102259001	1-5
101960501	3-3	102058901	1-13	102259801	12-47
101960601	3-3, 3-5	102059901	1-13	102263601	12-41, 12-47
101964401	12-37	102060501	1-13, 1-15	102263701	12-47
101964801	12-29	102060502	1-13, 1-15	102265501	14-9
101965201	12-19, 12-39, 12-47	102060504	1-13, 1-15	102265601	14-9
101966901	4-7	102060505	1-13, 1-15	102265701	14-9
101968701	12-29, 12-31, 12-41	102061201	16-7	102265901	14-9
101971001	8-11	102061301	1-17	102266001	14-9
101971101	12-21	102061302	1-17	102266101	14-9
101971301	8-11	102063901	1-17	102266501	12-47
101972101	15-3	102064601	1-17	102266601	12-43
101972201	15-3	102065501	1-17	102266701	12-43
101972401	15-3	102076601	1-13	102267001	14-9
101972801	8-11	102076602	1-13	102273201	13-11
101973101	8-5	102076604	1-13	102273301	13-11
101973201	8-5	102076605	1-13	102273401	13-11
101973501	13-15	102076701	1-13, 1-15, 1-17	102273501	13-11
101975901	12-13	102099101	1-17	102273601	13-11
101976001	15-3	102101001	12-23	102273701	13-11
101976601	13-15	102101101	12-23	102273801	13-11
101977101	12-15	102155501	1-17	102273901	13-11
101978001	12-41	102155801	10-5	102274001	13-11
101978101	12-41	102161801	12-31	102278001	5-3
101978201	12-41	102162101	12-27	102304701	7-9

INDEX

102310701 1-5
102327801 14-9
727102 2-3

A

ac voltage suppressor 13-15
accelerator cable 8-9
accelerator pedal 4-7
accelerator pedal adjustment tool 16-3
accelerator pedal return spring cup 4-7
accelerator pivot rod 4-7
accelerator rod 4-7
access door 1-7, 1-9
accu-power charger 13-3, 13-5, 13-7
a-connector (starter/generator) 6-11
adaptor, cable (iqdm) 16-5
adhesive, guide ring 16-3
adjuster, hydraulic brake 16-5
adjusting stud 12-9, 12-21
air box 8-11
air duct 8-11
air duct repair kit 8-11
air filter 8-11
ammeter 13-3, 13-5, 13-7, 13-9, 13-11, 13-13, 13-15
a-plate strap 5-7
arbor 16-7
arm
 governor lever 11-3
 pivot 11-3
 rocker 7-9
 speed switch 12-9, 12-21
armature 6-11, 14-3, 14-5, 14-7, 14-9
armrest 1-11
assembly
 3-pin plug 14-7, 14-9
 3-wire and receptacle 12-21
 6-pin plug 12-39, 12-47
 36-volt motor 14-3
 48-volt motor 14-5
 ac voltage suppressor 13-15
 accelerator rod 4-7
 air box top 8-11
 air duct 8-11
 armature 6-11
 axle 11-7, 15-3, 15-5
 axle tube 15-3, 15-5
 bag hoop 1-13, 1-15
 bearing (steering column) 5-3
 bell crank and shaft 6-7
 bolt (float chamber) 8-5
 brush rigging 14-9
 carburetor 8-5
 charger case 13-3, 13-5, 13-7, 13-9, 13-11, 13-13, 13-15
 control cable 13-3, 13-5, 13-7
 current limiter 13-15

cylinder head 7-9
delta a-plate 5-7
diode 12-19, 12-37
diode with heatsink film 13-11
drive hub 10-3
driven clutch 10-5
eccentric 5-9
end shield 14-9
float (carburetor) 8-5
float chamber 8-5
forward/reverse shifter 6-5
forward/reverse switch 12-7, 12-15, 12-33, 12-43
fuel strap, rear 8-3
heatsink 13-3, 13-5, 13-7, 13-9, 13-13, 13-15
hub 5-9
idle screw 8-5
lever (brake) 4-3
moveable face (drive clutch) 10-3
moveable face (driven clutch) 10-5
pilot air screw 8-5
resistor 12-19, 12-25, 12-27, 12-47
rod (counterbalance) 7-13
screw (float chamber) 8-5
seat back 1-13, 1-15
spindle 5-9
stator shell 14-3, 14-5, 14-7, 14-9
steering column 5-3
switch brush 12-9, 12-21
timer 13-3, 13-5, 13-7
transformer 13-3, 13-5, 13-7, 13-9, 13-11, 13-13, 13-15
v-glide wiper switch 12-9
voltage regulator 6-7
voltage suppressor 13-9, 13-13
wheel and tire 2-3
wiper switch 12-21
wire 6-3, 6-7, 6-9, 6-13, 7-3, 12-5, 12-9, 12-13, 12-17, 12-21, 12-25, 12-27, 12-29, 12-31, 12-35, 12-41, 12-45, 12-47
wire, sense lead 12-17, 12-35, 12-45
axle 11-7, 15-3, 15-5
axle shaft seal 15-3
axle tube 11-7, 15-3, 15-5
axle tube oil seal 15-5

B

backing plate (brake) 4-3
bag hoop 1-13, 1-15
bag strap 1-13, 1-15
bag strap buckle 1-13, 1-15
bagwell protector 1-3
ball bearing, output shaft 6-11
ball joint 6-5
ball joint (tie rod) 5-7
ball joint, inner 5-5

ball joint, left-hand thread 5-5, 5-7
ball stud 6-5, 6-7
ball stud (shifter lever) 11-3
ball stud, accelerator pedal 4-7
ball, steel (shift fork retainer) 11-5
ball, steel, pressure relief 7-7
band, rpm limiter mount 7-5
bar, bus 12-15
bar, drive 12-23
barb, vent 8-3
barrel fastener 1-13, 1-15
barrel, plastic 1-3
base, forward/reverse shifter 6-5
base, mounting 12-13
basket, sweater 1-13, 1-15
battery
 6-volt 12-13
 8-volt 12-17, 12-35, 12-45
 12-volt 6-15
battery cap 12-13, 12-17, 12-35, 12-45
battery charger, powerdrive 13-9, 13-11, 13-13, 13-15
battery clamp 6-15
battery discharge machine 16-3
battery hold-down 12-13, 12-17, 12-35, 12-45
battery terminal protector spray 16-3
battery thermometer 16-3
battery warning light 12-3
bearing
 ball (crankshaft) 7-11
 ball (motor) 14-3, 14-5, 14-7, 14-9
 ball, input shaft 11-5
 ball, output shaft 6-11
 bronze 12-9, 12-21
 differential 15-3
 idler (drive clutch) 10-3
 inner axle tube 11-7, 15-5
 input gear 15-3, 15-5
 intermediate gear 15-3, 15-5
 lower pinion 5-5
 needle 11-5
 outer axle tube 11-7, 15-5
 pivot support 4-7
 plain (counterbalance rod) 7-13
 thrust 5-9
 upper pinion 5-5
bearing and oil seal remover 16-3
bearing driver set 16-3
bearing puller 16-3
bearing puller wedge 16-3
bearing retainer 14-3, 14-5, 14-7, 14-9
bearing retainer (starter/generator) 6-11
bearing retainer screw 14-3, 14-5
bell crank 12-9, 12-21
bell crank and shaft 6-7
bell crank, forward/reverse 6-5

INDEX

- belt, drive 10-3, 10-5
- belt, starter/generator 6-13, 10-3
- bezel, receptacle 12-13, 12-17, 12-35, 12-45
- block
 - brake pedal mounting 4-5
 - fuse 6-7
 - terminal (controller) 12-47
- board, resistor mounting 12-11
- body (rear) 1-7, 1-9
- body hinge plate 1-7, 1-9
- body keeper clip 1-7, 1-9
- body kick plate 1-7, 1-9
- body spacer 1-13, 1-15
- body support 1-7, 1-9
- body, front 1-5
- bolt, brake cluster mounting 4-3
- bolt, j- 12-13, 12-17, 12-35, 12-45
- boot
 - dust 5-5, 5-7
 - steering column 5-3
 - tow/run switch 12-33, 12-43
- box, electrical component 6-7
- bracket
 - accelerator support 8-9
 - adjusting (starter/generator) 6-13
 - engine shroud 7-3
 - fe290 mounting 6-13
 - fuse and receptacle mounting 12-13
 - governor cable engine 8-9
 - mounting (solenoid) 12-37
 - muffler mounting 9-3
 - oil filter 7-7
 - oil level switch 7-11
 - power relay mounting 13-13
 - rpm limiter 7-5
 - snubber 7-15
 - throttle 8-7
 - throttle cable 8-9
 - tow/run switch 12-33, 12-43
 - transmission cable support 6-5, 11-3
- brake adjusting mechanism 4-3
- brake adjustment tool 16-3
- brake cable 4-3, 4-5
- brake cable equalizer 4-5
- brake cable hanger 4-3, 5-11
- brake cluster 4-3
- brake cluster mounting bolt 4-3
- brake drum 4-3
- brake pedal 4-5
- brake pedal adjustment tool 16-3
- brake pedal mounting block 4-5
- brake pedal pad 4-5
- brake pedal stop bumper 4-5
- brake pedal tension tool 16-3
- brake shoe 4-3
- brake spring 4-3
- breaker, circuit, 10-amp 13-13, 13-15
- breaker, circuit, 15-amp 13-9, 13-11
- breather 15-3, 15-5
- breather, transaxle case 11-3
- bronze bushing 6-5, 6-7
- brush 6-11, 14-3, 14-5, 14-7, 14-9
- brush connector 6-11
- brush holder 6-11
- brush holder screw 14-3, 14-5
- brush inspection port cover 6-11
- brush rigging 14-3
- brush spring 6-11, 12-9, 12-21, 14-3, 14-5, 14-7, 14-9
- brush, switch 12-9
- buckle, bag strap 1-13, 1-15
- bumper
 - brake pedal stop 4-5
 - front 1-5
 - motor 14-3, 14-5, 14-7, 14-9
 - rear 1-3
 - return spring 4-7
 - side guard trim 1-5
 - wiper switch 12-9, 12-21
- bus bar 12-15
- bushing
 - bronze 5-9, 6-5, 6-7
 - insulator 14-3, 14-5, 14-7, 14-9
 - steel 5-9, 5-11
 - strain relief 13-3, 13-5, 13-7, 13-9, 13-11, 13-13, 13-15
 - urethane 5-7, 5-9, 5-11
- bushing (axle) 15-5
- buzzer, reverse 12-3
- C**
- cable
 - accelerator 8-9
 - brake 4-3, 4-5
 - control 13-3, 13-5, 13-7
 - governor 8-9
 - iqdm 16-5
 - transmission 6-5
- cable retainer 6-5
- calibration test module 16-3
- cam (driven clutch) 10-5
- cam installation tool 16-3
- cam, electrical box 6-7
- cam, neutral lockout 6-5
- camshaft 7-11
- canopy 1-17
- canopy support kit 1-17
- cap
 - 6-volt battery 12-13
 - battery (4-port) 12-17, 12-35, 12-45
 - dust 12-43
 - fuel tank 8-3
 - key switch 6-9, 12-3
 - protector 12-9
 - seat back 1-13, 1-15
- capacitor 13-3, 13-5, 13-7
- carburetor 8-5, 8-7
- carburetor insulator 8-7
- card, safety first 16-5
- carrier, wiper switch arm 12-9, 12-21
- case
 - charger 13-3, 13-5, 13-7, 13-9, 13-11, 13-13, 13-15
 - forward/reverse switch 12-33, 12-43
 - gear carrier 11-7
 - rocker arm 7-9
 - wiper switch 12-9, 12-21
- case gasket 15-5
- charger case 13-3, 13-5, 13-7, 13-9, 13-11, 13-13, 13-15
- charger, accu-power, battery 13-3, 13-5, 13-7
- charger, powerdrive battery 13-9, 13-11, 13-13, 13-15
- choke button 8-11
- choke valve 8-11
- choke valve o-ring 8-11
- circuit breaker (15-amp) 13-9, 13-11
- clamp
 - battery 6-15
 - cable 12-13
 - cable retaining 8-9
 - hose (air intake) 8-11
 - hose (bronze) 8-7
 - hose (fuel) 8-3
 - hose (gray) 8-3, 8-7
 - hose (red) 8-3
 - muffler 9-3
 - plastic (fuel line) 8-3
- clamp (oil sending wire) 7-11
- clamp (wire) 7-5
- clamp screw 14-3, 14-5, 14-7, 14-9
- clevis, upper delta 5-9
- clip 5-3
- clip, body keeper 1-7, 1-9
- cluster, brake 4-3
- clutch alignment tool 16-3
- clutch tool kit 16-3
- clutch, drive 10-3
- clutch, driven 10-5
- coil
 - energy displacement 12-37
 - field 6-11
 - ignition 7-5
 - resistor 12-11
- collar (axle shaft) 11-7
- collet 7-9
- column, steering 5-3
- communication display module 16-3
- component mounting plate 12-19, 12-39, 12-47

INDEX

- compression gauge 16-3
- compressor, piston ring 16-5
- compressor, valve spring 16-7
- computer, onboard 12-19, 12-39, 12-47
- connecting rod 7-13
- connector, 4-pin 12-43
- connector, cord 7-11
- connector, iq controller 12-47
- continuity tester 16-5
- control cable 13-3, 13-5, 13-7
- controller, 48-volt (220-amp) 12-39
- controller, 48-volt (225-amp) 12-19
- controller, 48-volt (250-amp) 12-47
- cord connector 7-11
- cordset, ac 13-3, 13-5, 13-7, 13-9, 13-11, 13-13, 13-15
- cordset, dc 13-3, 13-5, 13-7, 13-9, 13-11, 13-13, 13-15
- counterbalance guide shaft 7-13
- counterbalance weight 7-13
- cover
 - brush inspection port 6-11
 - controller 12-47
 - crankcase 7-11
 - dust 4-3, 5-9
 - electrical component box 6-7
 - gear case 11-7
 - oil pump 7-7
 - seat back 1-13, 1-15
 - seat bottom 1-11
 - steering column 5-3
 - wiper switch 12-21
 - wiper switch case 12-9
- crank, bell 12-9, 12-21
- crankcase 7-13
- crankcase cover 7-11
- crankshaft 7-13
- crankshaft seal 7-11
- crankshaft shim 7-13
- cup, accelerator pedal return spring 4-7
- current limiter 13-15
- cutter, valve seat 16-7
- cylinder head 7-9
- D**
 - damper, rpm limiter 7-5
 - dash panel, center 1-3
 - dash, driver side 1-3
 - dash, passenger side 1-3
 - decal
 - driver/passenger warning 3-3, 3-5
 - electrical component cover 3-5, 12-47
 - frame ground and governor warning 3-3
 - gasoline warning 3-3
 - ingersoll-rand 3-3, 3-5
 - key switch 3-3, 3-5
 - motor braking 3-5
 - operating instructions 3-3, 3-5
 - potentiometer 3-5
 - resistor warning 3-5
 - rotating parts and hot manifold warning 3-3
 - tow/run switch 3-5
 - wiper switch warning 12-9, 12-21
 - delta a-plate 5-7
 - delta shock and gear support 5-7
 - delta sleeve 5-7
 - differential bearing 15-3
 - differential gear 11-7, 15-3, 15-5
 - differential gear case 11-7, 15-5
 - differential housing 15-3
 - differential idler gear 11-7, 15-3, 15-5
 - differential pin 11-7, 15-3
 - diode 12-13, 12-19, 12-37
 - dipstick 7-3
 - door, access 1-7, 1-9
 - double lip seal 5-9
 - drag link, rack and pinion 5-5
 - drain plug (crankcase) 7-7
 - drink holder 1-3
 - drive bar 12-23
 - drive belt 10-3, 10-5
 - drive clutch 10-3
 - drive clutch holder tool 16-3
 - drive clutch hub puller 16-3
 - drive clutch puller 16-3
 - drive hub 10-3
 - driven clutch 10-5
 - driven clutch cam puller 16-3
 - driven clutch puller plug 16-3
 - drum, brake 4-3
 - dry moly lubricant 16-5
 - dust boot 5-5, 5-7
 - dust cap 12-43
 - dust cover 4-3, 5-9
- E**
 - 8-volt battery 12-17, 12-35, 12-45
 - 80-amp fuse 12-13
 - eccentric 5-9
 - e-clip (air box top) 8-11
 - electrical box cam 6-7
 - electrical component box 6-7
 - end bell, commutator 6-11
 - end bell, output shaft 6-11
 - end shield 14-3, 14-5, 14-7, 14-9
 - energy displacement coil 12-37
 - engine shroud 7-3
 - engine valve spring 7-9
 - engine, fe290 ohv gasoline 7-3
 - equalizer rod 4-5
 - equalizer, brake cable 4-5
 - e-ring (governor cable) 8-9
 - exhaust gasket 9-3
 - exhaust system 9-3
 - exhaust valve 7-9
- F**
 - 4-pin plug and wedge lock 12-43
 - 4-pin receptacle and wedge lock 12-43
 - 48-volt motor, 3.10-hp 14-5
 - 48-volt motor, 3.20-hp 14-7, 14-9
 - 48-volt solenoid 12-19, 12-37, 12-47
 - fan housing 7-3
 - fan shroud 7-3
 - fan, flywheel 7-5
 - fastener, barrel 1-13, 1-15
 - fe290 ohv gasoline engine 7-3
 - fender, inner 1-7, 1-9
 - field coil (starter/generator) 6-11
 - fill plug 15-3
 - fill plug with gasket 15-5
 - filter, air 8-11
 - filter, fuel 8-3
 - filter, oil 7-7
 - fitting, grease 5-9
 - fitting, thread-forming grease 5-5, 5-7
 - fixed face (drive clutch) 10-3
 - fixed face (driven clutch) 10-5
 - float (carburetor) 8-5
 - float chamber 8-5
 - floor mat 1-3, 1-5, 1-7, 1-9
 - flywheel 7-5
 - flywheel fan 7-5
 - flywheel puller 16-5
 - fork, shift 11-5
 - forward/reverse bell crank 6-5
 - forward/reverse handle 6-5
 - forward/reverse shifter 6-5
 - forward/reverse shifter base 6-5
 - forward/reverse switch 12-7, 12-15, 12-33, 12-43
 - forward/reverse switch case 12-33, 12-43
 - forward/reverse switch handle 12-7, 12-15
 - front body 1-5
 - front spring retainer plate 5-9
 - f-terminal insulator 6-11
 - fuel filter 8-3
 - fuel impulse pump 8-3
 - fuel line 8-3
 - fuel pickup tube (valve) 8-3
 - fuel strap, rear 8-3
 - fuel tank 8-3
 - fuse 13-3, 13-5, 13-7, 13-9, 13-11, 13-13, 13-15
 - fuse block 6-7
 - fuse holder 12-13
 - fuse lens 12-13
 - fuse, 10-amp 6-7
 - fuse, 3/8-amp 12-17, 12-35, 12-45
 - fuse, 80-amp 12-13

INDEX

G

gasket
carburetor insulator 8-7
case 15-5
controller 12-47
crankcase cover 7-11
drain plug 7-7, 11-3
exhaust 9-3
fe290 7-9
float chamber 8-5
head 7-9
insulator 8-7
intake pipe 8-7
liquid 15-3, 15-5, 16-5
liquid (transaxle case) 11-3
oil pump 7-7
plug 15-3
rocker arm case 7-9
seat 1-11
throttle bracket 8-7
gauge, compression 16-3
gear
cluster idler 11-5
differential 11-7, 15-3, 15-5
differential idler 11-7, 15-3, 15-5
helical (crankshaft) 7-13
input 11-5
intermediate 15-3, 15-5
intermediate, small 15-5
output 11-7, 15-3, 15-5
spur (crankshaft) 7-13
spur (transaxle) 11-5
gear case 11-3, 15-3, 15-5
gear yoke 16-5
governor 11-5
governor cable 8-9
governor guard 8-7
governor lever arm 11-3
governor shaft installation tool 16-5
grease fitting 5-5, 5-7, 5-9
grip, pencil 5-3
grommet 7-5
grommet, insulation 8-3
grommet, split 12-9, 12-21
guard, governor 8-7
guard, scuff 1-3
guide
choke lever 8-11
oil (transaxle) 11-5
valve 7-9
guide ring adhesive 16-3
guide, steering rack 5-5
guide, valve seat cutter 16-7

H

hall effect sensor 14-7

handle, forward/reverse 6-5
handle, forward/reverse switch 12-7, 12-15
handle, powerdrive 2 13-11
hanger, brake cable 4-3, 5-11
hardware, terminal (starter/generator) 6-11
harness retainer 6-9
harness, wire 6-3, 12-25, 12-27, 12-29, 12-31, 12-41
head gasket 7-9
heatsink 13-3, 13-5, 13-7, 13-9, 13-11, 13-13, 13-15
helical gear (crankshaft) 7-13
hold-down, battery 12-13, 12-17, 12-35, 12-45
holder, drink 1-3
holder, fuse 12-13
hole plug 12-3
hose clamp 8-3
hose clamp (bronze) 8-7
hose clamp (gray) 8-7
hose clamp (red) 8-3
hose, intake 8-11
housing
differential 15-3
fan 7-3
female 3-wire 14-7, 14-9
field coil (starter/generator) 6-11
hub 5-9
hub, drive 10-3
hub, synchronizer clutch 11-5
hydraulic brake adjuster 16-5
hydrometer 16-5

I

idle screw 8-5
ignition coil 7-5
inner axle tube bearing 15-5
inner fender 1-7, 1-9
input gear bearing 15-3, 15-5
input shaft 15-3, 15-5
input shaft oil seal 15-3, 15-5
insert, synchronizer 11-5
insert, wood 1-11
insulator bushing 14-3, 14-5
insulator gasket 8-7
insulator, carburetor 8-7
insulator, f-terminal 6-11
intake hose 8-11
intake pipe 8-7
intake valve 7-9
intermediate gear 15-3, 15-5
intermediate gear bearing 15-5
internal retaining ring pliers 16-5
iq system display module (iqdm) 16-5

J

j-bolt 12-13, 12-17, 12-35, 12-45

jet, main 8-5
jet, pilot 8-5
joint
ball 4-5, 6-5
ball (tie rod) 5-7
compound steering 5-3
inner ball 5-5
left-hand thread ball 5-5, 5-7
spring-loaded ball 4-7

K

key
square transmission 10-5
sunk 15-5
woodruff 6-11, 11-3
key (crankshaft) 7-13
key (driven clutch) 10-5
key (flywheel) 7-5
key (pair) 6-9
key (transmission shaft) 11-5
key (vehicle) 12-3
key switch 6-9, 12-3
key switch cap 6-9
key switch nut 6-9, 12-3
kingpin 5-9
kingpin wave washer 5-9
kit
3-pin plug 12-19, 12-21, 12-23, 14-7, 14-9
3-pin plug and wedge lock 12-43
3-pin receptacle 12-19, 12-21
3-pin receptacle and wedge lock 12-43
4-pin plug and wedge lock 12-43
4-pin receptacle and wedge lock 12-43
6-pin plug 12-39, 12-47
6-pin receptacle 12-39, 12-47
accelerator pivot rod 4-7
air duct repair 8-11
bagwell protector 1-3
bearing and magnet 14-9
brake cable 4-3, 4-5
brake pedal 4-5
brake pedal adjustment tool 16-3
canopy support 1-17
differential gear case 11-7
drink holder 1-3
drive clutch button 10-3
drive clutch weight 10-3
driven clutch button 10-5
fuel impulse pump rebuild 8-3
fuse and receptacle 12-13, 12-17, 12-35, 12-45
gasket 7-9
iq controller connector 12-47
iq system display module (iqdm) 16-5
park brake pedal 4-5
pulley nut and screw 6-11

INDEX

resistor assembly 12-21
reverse buzzer 6-9
seat back retrofit 1-13
shock absorber cushion 5-11
shock absorber, rear 5-11
snap washer (dash mounting) 1-3
steering column rebuild 5-3
sweater basket 1-13
tune-up 16-7

L

latch, park brake 4-5, 4-7
latch, wire (air box) 8-11
lead wire 7-5
lens, fuse 12-13
lever
choke 8-11
shifter 11-3
transmission shifter 11-3
lever (brake) 4-3
light, battery warning 12-3
light, oil warning 6-9
limit switch 6-5, 6-7, 12-7, 12-9, 12-15, 12-21
limiter, rpm, ohv 7-5
line, fuel 8-3
line, vent (fuel) 8-3, 8-7
link, rack and pinion drag 5-5
liquid gasket 15-3, 15-5, 16-5
lock plate 15-5
lower pinion bearing 5-5
lubricant, dry moly 16-5
lug nut 2-3
lug stud 5-9, 11-7, 15-3, 15-5

M

magnet 14-9
magnetic plug 15-3
main jet 8-5
mat, floor 1-3, 1-5, 1-7, 1-9
mcor (motor controller output regulator) 12-23
mechanism, brake adjusting 4-3
meter, volt ohm 16-7
module, calibration test 16-3
module, communication display 16-3
motor bumper 14-5, 14-7, 14-9
motor, 36-volt 14-3
motor, 48-volt 14-5, 14-7
motor, 48-volt iq 14-9
mounting base 12-13
mounting block, brake pedal 4-5
mounting bracket, fuse and receptacle 12-13
mounting pad (windshield frame) 1-17
mounting plate (engine) 7-15
mounting plate (rear bumper) 1-3

mounting tab 12-37
moveable face (drive clutch) 10-3
moveable face (driven clutch) 10-5
muffler clamp 9-3

N

nameplate 1-5
neutral lockout cam 6-5
nozzle, main 8-5
nut, key switch 6-9, 12-3
nut, lug 2-3

O

oil filler tube 7-3
oil filter screen 7-11
oil level sensor 7-11
oil pump and rotor 7-7
oil seal (crankshaft) 7-13
oil sending wire clamp 7-11
oil warning light 6-9
onboard computer 12-19
o-ring (counterbalance shaft) 7-13
o-ring (oil sending connector) 7-11
o-ring (rocker case hardware) 7-9
o-ring, choke valve 8-11
o-ring, oil filter mount 7-7
outer axle tube bearing 15-5
output gear 15-3, 15-5

P

package, brush 6-11, 14-3, 14-5, 14-7, 14-9
package, hub bearing 5-9
pad
accelerator pedal 4-7
brake pedal 4-5
mounting (windshield frame) 1-17
park brake 4-5
spring 5-11
wear 1-3, 1-7, 1-9
paint, touch-up 16-7
panel, center dash 1-3
park brake latch 4-5, 4-7
park brake pedal 4-5
park brake ratchet 4-7
park brake rod sleeve 4-5
park brake torsion spring 4-5
pawl 4-5
pedal
accelerator 4-7
brake 4-5
park brake 4-5
pencil grip 5-3
pilot air screw 8-5
pilot jet 8-5
pin
differential 11-7, 15-3, 15-5
governor cable clevis 8-9
hair spring cotter 8-9
head locating 7-9
piston 7-13
roll (shifter lever) 11-3
pin (crankcase cover locating) 7-11
pinion, steering 5-5
pipe, intake 8-7
piston 7-13
piston pin 7-13
piston pin retaining ring 7-13
piston ring compressor 16-5
piston ring pliers 16-5
piston ring set 7-13
pivot arm 11-3
pivot support bearing 4-7
plastic barrel 1-3
plate
backing (brake) 4-3
body hinge 1-7, 1-9
body kick 1-7, 1-9
component mounting 12-19, 12-39, 12-47
flywheel fan 7-5
front spring retainer 5-9
heatsink 13-11
lock 15-5
mounting (engine) 7-15
mounting (rear bumper) 1-3
oil filter screen 7-11
oil pump 7-7
oil valve 7-9
receptacle backing 12-17, 12-35, 12-45
retaining 14-7
scorecard 5-3
seat hinge 1-11
spring mounting 5-7
thrust 11-5, 11-7, 15-5
thrust (idler gear) 15-3
pliers
internal retaining ring 16-5
piston ring 16-5
retaining ring 16-5
plug
3-pin 12-19, 12-21, 12-23, 14-7, 14-9
6-pin 12-39, 12-47
cap 7-5
drain (crankcase) 7-7
drain (transaxle) 11-3
drive clutch 10-3
driven clutch puller 16-3
fill 15-3
fill with gasket 15-5
filter bracket 7-7
hole 12-3
hole (dash board) 1-3

INDEX

magnetic 15-3
spark 7-5
plug gasket 15-3
pole set (starter/generator) 6-11
positioner, choke 8-11
power relay 13-9, 13-11, 13-13
powerdrive battery charger 13-9, 13-11, 13-13, 13-15
press weldment 16-3
pressure relief ball 7-7
protector cap 12-9
protector spray, battery terminal 16-3
protector, bagwell 1-3
protector, wiper switch resistor 12-21
puller
bearing 16-3
drive clutch 16-3
drive clutch hub 16-3
driven clutch cam 16-3
flywheel 16-5
seal 16-5
pulley (starter/generator) 6-11
pulley nut and screw (starter/generator) 6-11
pump, fuel impulse 8-3
push rod 7-9

R

rack, steering 5-5
ratchet, park brake 4-7
reamer, valve guide 16-7
rear bumper 1-3
rear leaf spring 5-11
rear spring shackle 5-11
receptacle
3-pin 12-19, 12-21
3-wire 12-21
6-pin 12-39, 12-47
ac cord 13-15
charger, 2-prong 12-13
receptacle (fuse) 12-13, 12-17, 12-35, 12-45
receptacle backing plate 12-17, 12-35, 12-45
receptacle bezel 12-13, 12-17, 12-35, 12-45
regulator, motor controller output (mcor) 12-23
relay
36-vdc 13-3, 13-5, 13-7
48-vdc power 13-9, 13-11, 13-13, 13-15
remover, bearing and oil seal 16-3
resistor 12-19, 12-25, 12-27, 12-47
resistor coil 12-11
resistor coil stand-off 12-11
resistor mounting board 12-11
resistor shield 12-11
retainer

bearing 14-3, 14-5, 14-7, 14-9
bearing (starter/generator) 6-11
cable 6-5
harness 6-9
shock absorber cushion 5-11
spring 4-7, 10-3
valve spring 7-9
retaining plate 14-7
retaining ring (driven clutch) 10-5
retaining ring pliers 16-5
retaining screw 14-7
return spring bumper 4-7
reverse buzzer 6-9, 12-3
rigging, brush 14-3, 14-5, 14-7, 14-9
rim, tire 2-3
ring
c-type stop 5-5
piston (set) 7-13
piston pin retaining 7-13
retaining (driven clutch) 10-5
retaining (steering gear box) 5-5
snap 5-5, 11-3
spiral back-up 10-3
synchronizer 11-5
ring, retaining (steering column) 5-3
rivet, blind 1-5
rocker arm 7-9
rocker arm case 7-9
rocker arm shaft 7-9
rod
accelerator 4-7
accelerator pivot 4-7
connecting 7-13
equalizer 4-5
push 7-9
shift 11-5
tie 5-7
rod (counterbalance) 7-13
rod and pawl 4-5
rpm limiter bracket 7-5
rpm limiter damper 7-5
rpm limiter mount band 7-5
rpm, ohv limiter 7-5

S

6-pin plug 12-39, 12-47
6-pin receptacle 12-39, 12-47
6-volt battery 12-13
safety first card 16-5
scorecard 5-3
scorecard clip 5-3
scorecard plate 5-3
screen, oil filter 7-11
screw
bearing retainer 14-3, 14-5, 14-7, 14-9
brush holder 14-3, 14-5
clamp 14-3, 14-5, 14-7, 14-9

idle 8-5
pilot air 8-5
pole piece (starter/generator) 6-11
retaining 14-7
valve clearance adjuster 16-7
scuff guard 1-3
seal
axle shaft oil 15-5
crankshaft 7-11
double lip 5-9
dust (steering gear box) 5-5
dust, steering pinion 5-5
input shaft oil 15-5
intake (air box) 8-11
oil (axle shaft) 11-7
oil (crankshaft) 7-13
oil (governor pivot) 11-3
oil (shifter shaft) 11-3
oil, axle shaft 15-3
oil, input shaft 11-5, 15-3
valve 7-9
seal puller 16-5
seat
bearing 5-3
spring 7-9
valve 7-7
seat back 1-13, 1-15
seat back support 1-13, 1-15
seat bottom 16-5
seat bottom cover 1-11
seat hinge plate 1-11
sensor
motor speed 14-9
sensor, hall effect 14-7
sensor, oil level 7-11
set, pole 6-11
shackle, rear spring 5-11
shaft
counterbalance guide 7-13
input 11-5, 15-3, 15-5
rocker arm 7-9
shifter 11-3
steering column 5-3
shield, end 14-3, 14-5, 14-7, 14-9
shield, resistor 12-11
shift fork 11-5
shift rod 11-5
shifter lever 11-3
shifter shaft 11-3
shifter, forward/reverse 6-5
shim (axle) 15-5
shim, crankshaft 7-13
shim, wiper switch 12-9, 12-21
shock absorber 5-7
shock absorber cushion 5-11
shock absorber cushion retainer 5-11
shock absorber, rear 5-11

INDEX

- shoe retainer 4-3
 - shoe, brake 4-3
 - shroud, engine 7-3
 - shroud, fan 7-3
 - side guard trim bumper 1-5
 - sleeve
 - delta 5-7
 - park brake rod 4-5
 - synchronizer 11-5
 - sleeve (transaxle) 11-5
 - slide switch, 4-position 13-13, 13-15
 - small intermediate gear 15-5
 - snap ring 5-5
 - snubber 7-15, 12-13
 - snubber bracket 7-15
 - solenoid
 - 12-volt 6-7
 - 36-volt 12-13
 - 48-volt 12-19, 12-37, 12-47
 - spacer
 - 1/2 (fender mounting) 1-9
 - 1-7/8 (fender mounting) 1-9
 - battery terminal bolt 6-15
 - body 1-13, 1-15
 - fixed face shaft 10-3
 - nylon (sweater basket) 1-13, 1-15
 - park brake 4-5
 - spacer (accelerator pivot rod) 4-7
 - spacer (crankshaft) 7-13
 - spacer (engine) 7-15
 - speed switch arm 12-9, 12-21
 - spindle 5-9
 - spray, battery terminal protector 16-3
 - spring
 - accelerator pedal retainer 4-7
 - brake shoe 4-3
 - brush 6-11, 14-3, 14-5, 14-7, 14-9
 - compression 5-3
 - compression (choke button) 8-11
 - drive clutch 10-3
 - engine valve 7-9
 - forward/reverse cam 6-5
 - oil pressure relief 7-7
 - park brake torsion 4-5
 - rear leaf 5-11
 - return 4-7
 - return (air box) 8-11
 - shift fork retainer 11-5
 - synchronizer 11-5
 - tapered compression 5-3
 - tapered leaf 5-9
 - throttle return 8-7
 - wiper switch brush 12-9, 12-21
 - yoke 5-5
 - spring mounting plate 5-7
 - spring seat 7-9
 - spur gear (crankshaft) 7-13
 - stain relief bushing 13-3
 - stand-off, resistor coil 12-11
 - starter/generator 6-11, 6-13
 - stator shell 14-3, 14-5, 14-7, 14-9
 - steel bushing 5-9, 5-11
 - steering column 5-3
 - steering column bearing press tool 16-5
 - steering column mounting bracket 5-3
 - steering column retaining ring tool 16-5
 - steering column shaft 5-3
 - steering gear box 5-5
 - steering wheel 5-3
 - steering wheel puller tool 16-7
 - stem, valve 2-3
 - stiffener, flywheel side 7-15
 - strap
 - a-plate 5-7
 - bag 1-13, 1-15
 - rear fuel 8-3
 - stud
 - ball 4-7, 6-5, 6-7, 11-3
 - lug 5-9, 11-7, 15-3, 15-5
 - short ball 12-9, 12-21
 - wiper switch adjusting 12-9, 12-21
 - stud (engine mounting) 7-15
 - sunk key 15-5
 - support
 - accelerator pivot rod 4-7
 - body 1-7, 1-9
 - canopy 1-17
 - delta shock and gear 5-7
 - seat back 1-13, 1-15
 - sweater basket 1-13, 1-15
 - switch
 - 4-position slide 13-13, 13-15
 - brush 12-9
 - forward/reverse 12-7, 12-15, 12-33, 12-43
 - key 6-9, 12-3
 - limit 6-5, 6-7, 12-7, 12-9, 12-15, 12-21
 - limit, sealed 12-15
 - tow/run 12-33, 12-43
 - v-glide wiper 12-9
 - switch brush 12-21
 - synchronizer clutch hub 11-5
 - synchronizer ring 11-5
 - system, exhaust 9-3
- ## T
- 2-prong charger receptacle 12-13
 - 3-pin plug 12-19, 12-21, 12-23, 14-7, 14-9
 - 3-pin plug and wedge lock 12-43
 - 3-pin receptacle 12-19, 12-21
 - 3-pin receptacle and wedge lock 12-43
 - 3-wire and receptacle 12-21
 - 3/8-amp fuse 12-17, 12-35, 12-45
 - 36-volt motor, 2.97-hp 14-3
 - 36-volt solenoid 12-13
 - 10-amp fuse 6-7
 - 12-volt battery 6-15
 - 12-volt solenoid 6-7
 - tab, mounting 12-37
 - tachometer 16-7
 - tapered compression spring 5-3
 - tapered leaf spring 5-9
 - tappet 7-11
 - terminal block (controller) 12-47
 - terminal hardware (starter/generator) 6-11
 - tester, continuity 16-5
 - thermometer, battery 16-3
 - throttle bracket 8-7
 - throttle return spring 8-7
 - thrust bearing 5-9
 - thrust plate (differential) 15-5
 - tie rod 5-7
 - tie, wire 5-5, 12-3, 12-13, 12-21, 12-33, 12-39, 12-43, 12-47
 - timer 13-5, 13-7
 - tire 2-3
 - t-nut, slab base 1-5
 - tool
 - accelerator pedal adjustment 16-3
 - brake adjustment 16-3
 - brake pedal adjustment 16-3
 - brake pedal tension 16-3
 - cam installation 16-3
 - clutch alignment 16-3
 - drive clutch holder 16-3
 - governor shaft installation 16-5
 - steering column bearing press 16-5
 - steering column retaining ring 16-5
 - steering wheel puller 16-7
 - transaxle axle seal 16-7
 - transaxle pinion seal 16-7
 - transmission 16-7
 - tool kit, clutch 16-3
 - top, air box 8-11
 - touch-up paint 16-7
 - tow/run switch 12-33, 12-43
 - transaxle 15-3, 15-5
 - transaxle axle seal tool 16-7
 - transaxle pinion seal tool 16-7
 - transaxle, unitized 11-3
 - transformer 13-3, 13-5, 13-7, 13-9, 13-11, 13-13, 13-15
 - transmission cable 6-5
 - transmission tool 16-7
 - trim, front body 1-5
 - tube
 - axle 11-7
 - crankcase vent 8-7
 - oil filler 7-3
 - tune-up kit 16-7

INDEX

U

u-bolt 5-11
unitized transaxle 11-3
upper pinion bearing 5-5
urethane bushing 5-7, 5-9, 5-11

V

valve
choke 8-11
exhaust 7-9
fuel pickup tube 8-3
intake 7-9
oil 7-9
valve clearance adjuster screw 16-7
valve guide 7-9
valve guide reamer 16-7
valve seal 7-9
valve seat 7-7
valve seat cutter 16-7
valve seat cutter guide 16-7
valve seat cutter t-wrench 16-7
valve spring compressor 16-7
valve spring retainer 7-9
valve spring, engine 7-9
valve, stem 2-3
vent barb 8-3
vent line (fuel) 8-3, 8-7
vent, fuel tank 8-3
v-glide wiper switch 12-9
volt ohm meter 16-7
voltage regulator 6-7
voltage suppressor 13-9, 13-13

W

washer
drive clutch (green) 10-3
driven clutch (yellow) 10-5
key switch 12-3
kingpin wave 5-9
snap washer kit (dash mounting) 1-3
spring 11-5
thrust (transaxle) 11-5
wave 6-5
wear pad 1-3, 1-7, 1-9
wedge (steering column) 5-3
wedge, bearing puller 16-3
weight, counterbalance 7-13
weight, drive clutch 10-3
weldment, press 16-3
wheel 2-3
wheel rim 2-3
wheel, steering 5-3
windshield frame 1-17
wiper switch 12-21
wiper switch arm carrier 12-21
wiper switch bumper 12-9, 12-21

wiper switch carrier 12-9
wiper switch case 12-9, 12-21
wiper switch resistor protector 12-21
wiper switch shim 12-9, 12-21
wiper switch, v-glide 12-9
wire
jumper 13-15
wire and terminal 12-19, 12-39, 12-47
wire assembly 6-3, 6-7, 6-9, 6-13, 7-3, 12-5, 12-9, 12-13, 12-17, 12-21, 12-25, 12-27, 12-29, 12-31, 12-35, 12-41, 12-45, 12-47, 13-9, 13-11, 13-13, 13-15
wire assembly, forward/reverse switch 12-43
wire assembly, iqdm port 12-43
wire assembly, sense lead 12-17, 12-35, 12-45
wire clamp 7-5
wire harness 6-3, 12-25, 12-27, 12-29, 12-31, 12-41
wire tie 5-5, 12-3, 12-13, 12-21, 12-33, 12-39, 12-43, 12-47
wire, lead 7-5
wood insert 1-11
woodruff key 6-11, 11-3

Y

yoke spring 5-5
yoke, gear 16-5

Z

z-bracket 12-47



Golf Cars

Club Car Inc.

P.O. Box 204658

Augusta, GA 30917-4658