

**Club Car**



**2001-2002  
ILLUSTRATED  
PARTS LIST**



**DS GOLF CARS  
GASOLINE/ELECTRIC**

MANUAL NUMBER 102189901  
EDITION CODE 0801B0602A



# USING THE ILLUSTRATED PARTS LIST

---

## WARNING

- **This manual is to be used only for identification and ordering of service parts. Be sure to read and use the maintenance and service manual before attempting any vehicle repairs.**

This manual covers all 2001 and 2002 Club Car® DS Tranquility®, DS V-Glide 36-Volt, DS PowerDrive® System 48™, DS PowerDrive Plus®, and IQ System™ vehicles.

The manual is divided into 16 sections. Sections 1 through 5 pertain to both gasoline and electric vehicles, sections 6 through 11 pertain to gasoline vehicles only, sections 12 through 15 pertain to electric vehicles only, and section 16 pertains to tools that are used on all Club Car products. Note that there are two or three flags on the outside edge of each page. The first flag contains the section number of which that page is a part. The other flag (or flags) contains either the letter G or E, signifying that the page pertains to either the gasoline or electric vehicle only, or to both the gasoline and electric vehicles.

Use the Table of Contents to find the sections and pages that contain the parts and assemblies you seek. The Table of Contents lists section numbers, and under them, the individual page titles and numbers to be found in that section. The index can be used to find specific parts and assemblies. The index is divided into numerical and alphabetical listings with the page numbers in italic text.

There is a two-page spread for each individual page title in the Table of Contents. On the left-hand page is an illustration showing the parts in their relative positions; the parts are each tagged with an item number in a balloon. The right-hand page is the parts list page, and gives the page title at the top, then the item numbers (corresponding to the numbers on the illustration), part descriptions, and quantity of parts used. Some item numbers have more than one part number because several configurations of a component are represented together on one spread.

Note that a part description may be indented. This indention corresponds to a parts assembly level indicated by the numbers 1, 2, 3, and 4 at the top left corner of the parts description area of the parts list page. A part that is indented to *level 2* is a component of the *level 1* part (assembly) that it is listed under. A *level 3* part is a component of the *level 2* part that it is listed under, and a *level 4* part is a component of the *level 3* part preceding it. In each case, the part quantity given for a level 2, 3, or 4 part *is the quantity used per next higher level assembly of which it is a component*. A part that is not indented is a *level 1* part. This means that the quantity given is the quantity used per the portion of the vehicle illustrated on that particular spread.

## HOW TO ORDER PARTS

Replacement parts and accessories can be obtained from our network of authorized dealers and distributors. You can obtain the name and phone number of your closest Club Car contact by visiting our web site at [www.clubcar.com](http://www.clubcar.com) and clicking on the “*Distributor Search*” link or by calling our toll-free Service Parts and Technical Assistance hotline at (800) 872-2246.



P. O. Box 204658  
Augusta, Georgia 30917-4658 USA  
Telephone 706-863-3000  
Service Parts Fax 706-855-7413  
[www.clubcar.com](http://www.clubcar.com)

**NOTE:** *This illustrated parts list represents the most current information at the time of publication. Club Car, Inc. is continually working to further improve its vehicles and other products. These improvements may affect the parts used to service the vehicle. Any modification and/or significant change in specifications will be forwarded to all Club Car and Carryall distributors/dealers and will, when applicable, appear in future editions of this illustrated parts list.*

*Club Car, Inc. reserves the right to change specifications and designs at any time without notice and without incurring any obligation or liability whatsoever.*

©2001 Club Car, Inc.  
*Club Car, ArmorFlex, PowerDrive, PowerDrive Plus*  
and *Tranquility* are registered trademarks of Club Car, inc.  
This manual effective July 24, 2000.

*2001/2002 DS Golf Cars Illustrated Parts List*

# CONTENTS

---

## SECTION 1 – BODY AND TRIM

---

Body Trim .....	1-3
Front Body .....	1-5
Rear Body and Fender – Gasoline Vehicle .....	1-7
Rear Body and Fender – Electric Vehicle .....	1-9
Seat Bottom and Armrest .....	1-11
Seat Back and Bag Hoop – Earlier Style .....	1-13
Seat Back and Bag Hoop – Later Style .....	1-15
Canopy .....	1-17

---

## SECTION 2 – WHEELS AND TIRES

---

Wheels and Tires .....	2-3
------------------------	-----

---

## SECTION 3 – DECALS

---

Decals – Gasoline Vehicle .....	3-3
Decals – Electric Vehicle .....	3-5

---

## SECTION 4 – BRAKES, PEDAL, AND CABLE ASSEMBLIES

---

Brake Assembly .....	4-3
Brake Pedal and Cable Assembly .....	4-5
Accelerator Pedal Assembly .....	4-7

---

## SECTION 5 – STEERING, FRONT AND REAR SUSPENSION

---

Steering Column .....	5-3
Steering Gear Assembly .....	5-5
Front Suspension, Upper .....	5-7
Front Suspension, Lower .....	5-9
Rear Suspension .....	5-11

---

## SECTION 6 – ELECTRICAL SYSTEM – GASOLINE VEHICLE

---

Wiring – Gasoline Vehicle .....	6-3
Forward/Reverse Shifter Assembly – Gasoline Vehicle .....	6-5
Electrical Component Box – Gasoline Vehicle .....	6-7
Electrical Components, Front Body – Gasoline Vehicle .....	6-9
Starter/Generator Assembly .....	6-11
Starter/Generator Mounting .....	6-13
Battery – Gasoline Vehicle .....	6-15

# CONTENTS

---

## SECTION 7 – FE290 ENGINE

---

FE290 Engine – Shrouds and Brackets .....	7-3
FE290 Engine – Ignition Components and Flywheel .....	7-5
FE290 Engine – Oil Circulation .....	7-7
FE290 Engine – Cylinder Head .....	7-9
FE290 Engine – Crankcase, Camshaft and Oil Sensor .....	7-11
FE290 Engine – Crankcase and Crankshaft .....	7-13
Engine Mounting .....	7-15

---

## SECTION 8 – FUEL, INTAKE, AND GOVERNOR SYSTEMS

---

Fuel System .....	8-3
Carburetor Assembly .....	8-5
Carburetor Installation .....	8-7
Governor and Accelerator Cables .....	8-9
Intake Duct, Choke, and Air Box Assembly .....	8-11

---

## SECTION 9 – EXHAUST SYSTEM

---

Exhaust System .....	9-3
----------------------	-----

---

## SECTION 10 – TORQUE CONVERTER

---

Drive Clutch .....	10-3
Driven Clutch .....	10-5

---

## SECTION 11 – UNITIZED TRANSAXLE

---

Unitized Transaxle – Gear Cases and Brackets .....	11-3
Unitized Transaxle – F&R Transmission and Gear Reduction .....	11-5
Unitized Transaxle – Differential and Axles .....	11-7

---

## SECTION 12 – ELECTRICAL SYSTEM – ELECTRIC VEHICLE

---

Electrical Components, Front Body – Electric Vehicle .....	12-3
Wiring – V-Glide 36-Volt Vehicle .....	12-5
Forward/Reverse Switch – V-Glide 36-Volt Vehicle .....	12-7
Wiper Switch – V-Glide 36-Volt Vehicle .....	12-9
Resistor and Board Assembly – V-Glide 36-Volt Vehicle .....	12-11
Batteries, Charger Receptacle, Solenoid – V-Glide 36-Volt Vehicle .....	12-13
Forward/Reverse Switch – PowerDrive System 48 Vehicle .....	12-15
Batteries, Charger Receptacle – PowerDrive System 48 Vehicle .....	12-17
Computer, Controller, and Solenoid – PowerDrive System 48 Vehicle .....	12-19
Multi-Step Potentiometer – PowerDrive System 48 and PowerDrive Plus .....	12-21

# CONTENTS

---

Motor Controller Output Regulator (MCOR) .....	12-23
Wiring – PowerDrive System 48 Vehicle with Multi-Step Potentiometer .....	12-25
Wiring – PowerDrive System 48 Vehicle with Motor Controller Output Regulator (MCOR) .....	12-27
Wiring – PowerDrive Plus Vehicle with Multi-Step Potentiometer .....	12-29
Wiring – PowerDrive Plus Vehicle with Motor Controller Output Regulator (MCOR) .....	12-31
Forward/Reverse Switch, Tow/Run Switch – PowerDrive Plus Vehicle .....	12-33
Batteries, Charger Receptacle – PowerDrive Plus Vehicle .....	12-35
Solenoids, Energy Displacement Module – PowerDrive Plus Vehicle .....	12-37
Controller, Onboard Computer – PowerDrive Plus Vehicle .....	12-39
Wiring – IQ System Vehicle with Motor Controller Output Regulator (MCOR) .....	12-41
Forward/Reverse Switch, Tow/Run Switch – IQ System Vehicle .....	12-43
Batteries, Charger Receptacle – IQ System Vehicle .....	12-45
Computer, Controller, and Solenoid – IQ System Vehicle .....	12-47

## SECTION 13 – BATTERY CHARGER

---

Accu-Power Charger, Domestic – V-Glide 36-Volt Vehicle .....	13-3
Accu-Power Charger, Export, 230-Volt – V-Glide 36-Volt Vehicle .....	13-5
Accu-Power Charger, Export, 100-Volt – V-Glide 36-Volt Vehicle .....	13-7
PowerDrive Charger, Domestic .....	13-9
PowerDrive 2 Charger, Domestic .....	13-11
PowerDrive Charger, Export .....	13-13
PowerDrive Charger, European .....	13-15

## SECTION 14 – ELECTRIC MOTOR

---

Motor – V-Glide 36-Volt Vehicle .....	14-3
Motor – PowerDrive System 48 Vehicle .....	14-5
Motor – PowerDrive Plus Vehicle .....	14-7
Motor – IQ System Vehicle .....	14-9

## SECTION 15 – TRANSAXLE – ELECTRIC VEHICLE

---

Transaxle, Type G – Electric Vehicle .....	15-3
Transaxle, Type K – Electric Vehicle .....	15-5

## SECTION 16 – MAINTENANCE AND SERVICE TOOLS

---

Maintenance and Service Tools .....	16-3
Maintenance and Service Tools, Continued .....	16-5
Maintenance and Service Tools, Continued .....	16-7

## SECTION i – INDEX

---





# BODY AND TRIM

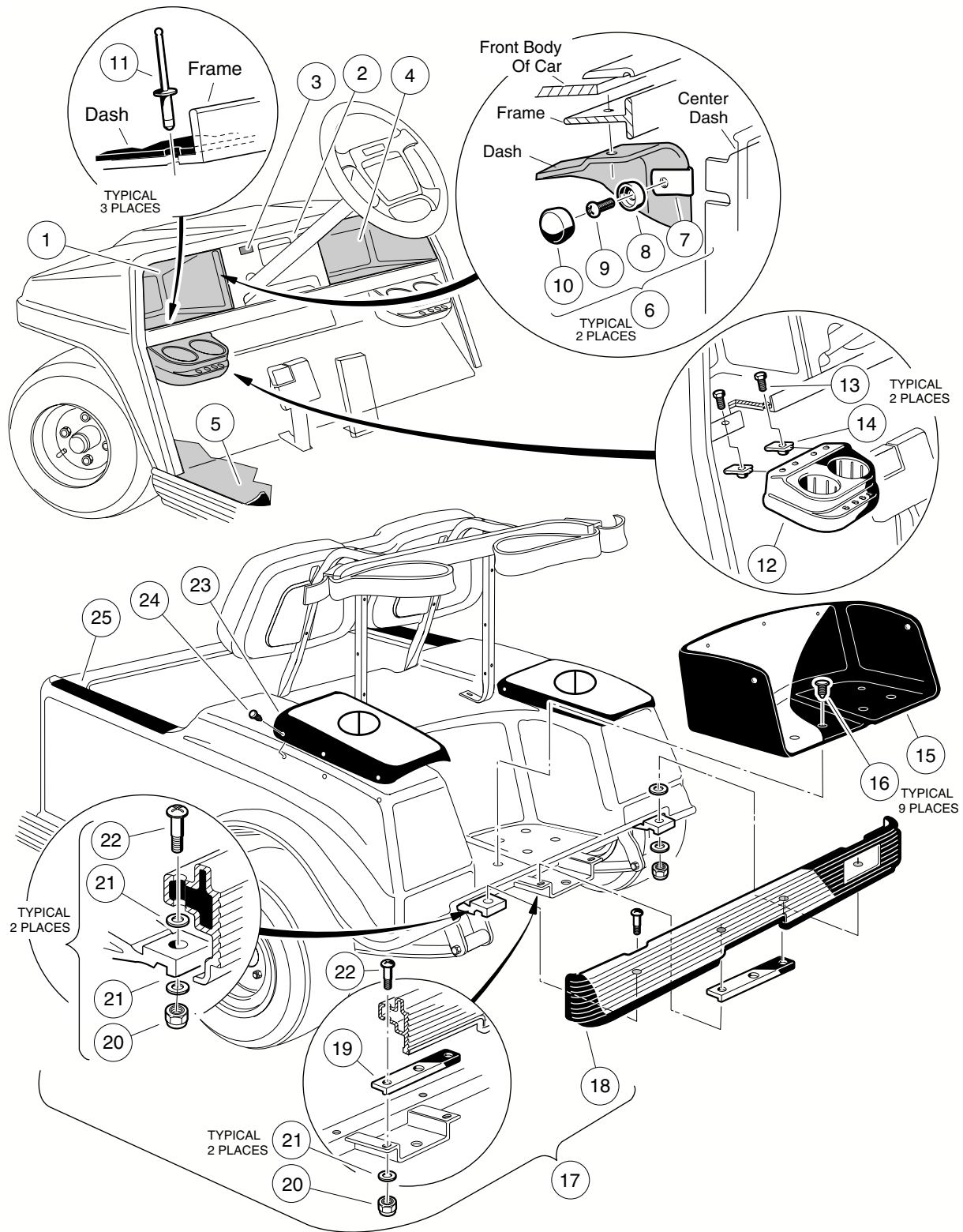
---

1

G

E

**1**  
**G**  
**E**

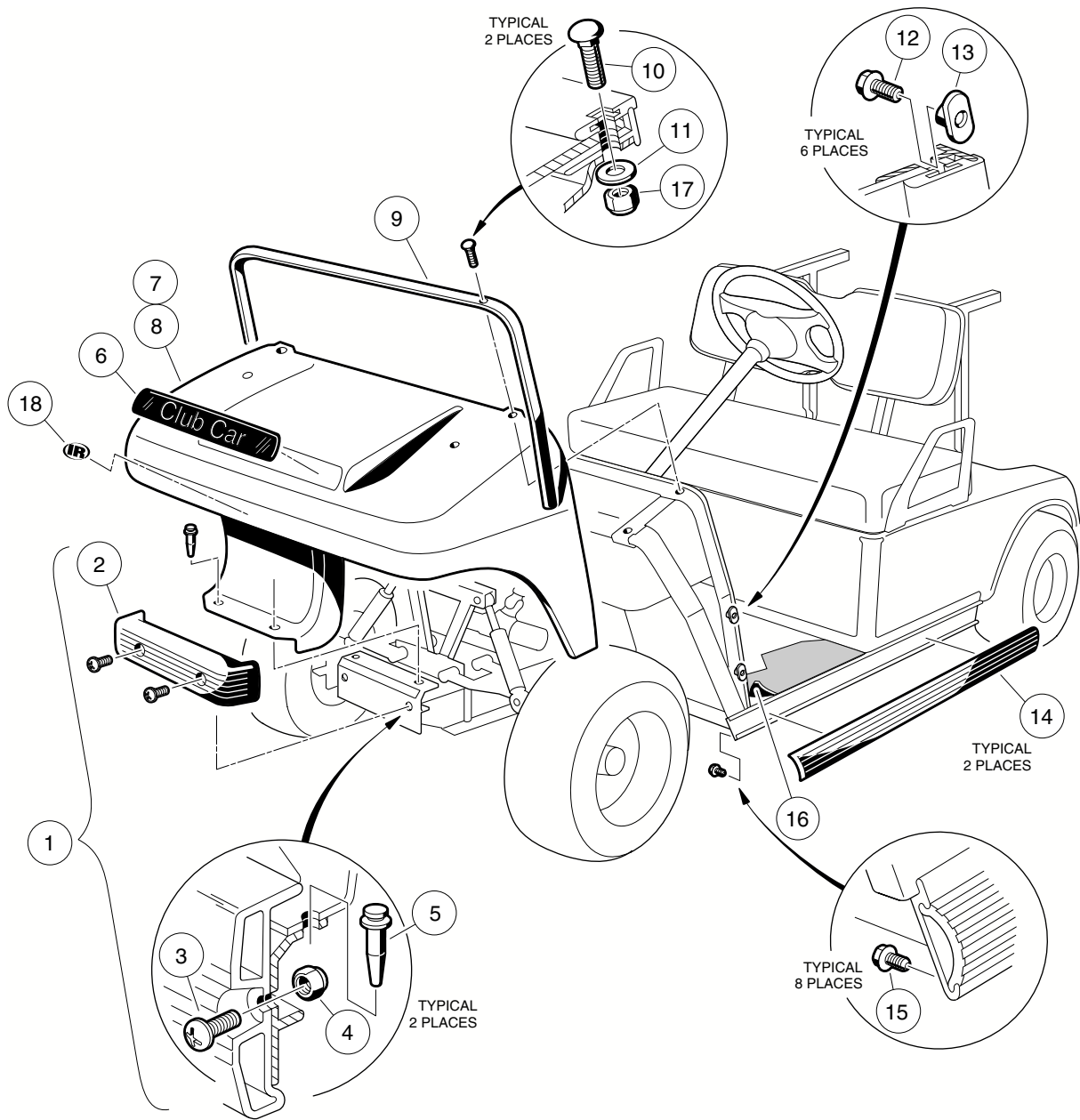


# BODY TRIM

ITEM	PART NO.	DESCRIPTION	QTY GAS	QTY ELEC
		1 2 3 4		
1	1013344	Component, Driver Side Dash, Black .....	1	1
2	101660404	Panel, Center Dash, Black .....	1	1
3	101802601	Plug, Hole (V-Glide 36-Volt vehicle only) .....		1
4	1013343	Component, Passenger Side Dash, Black .....	1	1
5	1015032	Mat, Floor .....	1	1
6	1014645	Kit, Snap Washer, Black (includes items 7 - 10) .....	2	2
7	N/A	Nut, Speed .....	1	1
8	N/A	Washer, #10 .....	1	1
9	N/A	Screw, #10 Sheet Metal .....	1	1
10	N/A	Cover, Screw Head .....	1	1
11	7973	Rivet, Aluminum Pop, 3/16 .....	3	3
12	101708301	Kit, Drink Holder (includes items 13 and 14) .....	2	2
13	7847	Screw, Hex Head Cap, 1/4-20 x 3/4 .....	2	2
14	1016952	U-Nut, 1/4-20 .....	2	2
15	101768202	Kit, Bagwell Protector (includes item 16) .....	1	1
16	1010434	Fastener, Plastic Barrel .....	9	9
17	1017079	Kit, Rear Bumper (includes items 18 - 22) .....	1	1
18	1016379	Bumper, Rear .....	1	1
19	1016875	Plate, Mounting, Long .....	1	1
20	7473	Nut, Nylon Lock, 5/16-18 .....	4	4
21	1011697	Washer, Special, 5/16 .....	6	6
22	1016876	Bolt, Phillips Truss Head Shoulder, 3/8-18 x 2 .....	4	4
23	101706702	Kit, Scuff Guard (includes item 24) .....	1	1
24	1010434	Fastener, Plastic Barrel .....	12	12
25	102221201	Pad, Wear .....	2	2

**1**  
**G**  
**E**

**1**  
**G**  
**E**

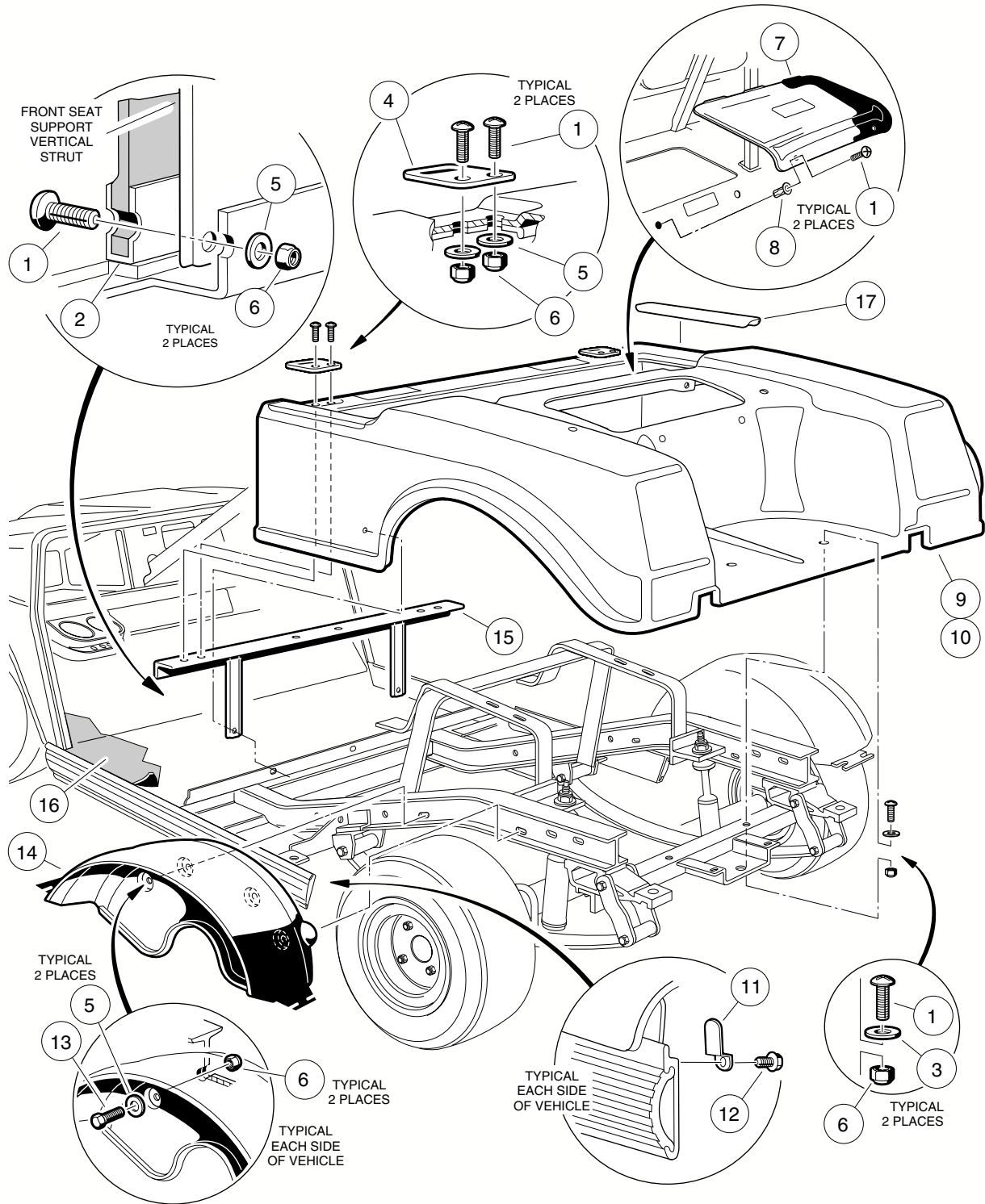


# FRONT BODY

ITEM	PART NO.	DESCRIPTION	QTY GAS	QTY ELEC
		1 2 3 4		
1	1017080	Kit, Front Bumper (includes items 2 - 5) .....	1	1
2	1016868	Bumper, Front .....	1	1
3	7251	Screw, Phillips Truss Head, 5/16-18 x 1 .....	2	2
4	7473	Nut, Nylon Lock, 5/16-18 .....	2	2
5	1016967	Rivet, Push Type Blind .....	2	2
6	1014198	Nameplate – Gold .....	1	1
7	101692501	Body, Front – Beige .....	1	1
7	101692502	Body, Front – White .....	1	1
7	101692504	Body, Front – Gray .....	1	1
7	101692506	Body, Front – Red .....	1	1
7	101692509	Body, Front – Royal Blue (Pacific Blue).....	1	1
7	101692510	Body, Front – Dark Green .....	1	1
7	101692511	Body, Front – Black .....	1	1
7	101692512	Body, Front – Classic Blue (Navy) .....	1	1
7	101692513	Body, Front – Burgundy .....	1	1
8	101693901	Body, Front with Headlight Opening – Beige .....	1	1
8	101693902	Body, Front with Headlight Opening – White .....	1	1
8	101693904	Body, Front with Headlight Opening – Gray .....	1	1
8	101693906	Body, Front with Headlight Opening – Red .....	1	1
8	101693908	Body, Front with Headlight Opening – Royal Blue (Pacific Blue) .....	1	1
8	101693909	Body, Front with Headlight Opening – Dark Green .....	1	1
8	101693910	Body, Front with Headlight Opening – Black .....	1	1
8	101693911	Body, Front with Headlight Opening – Classic Blue (Navy) .....	1	1
8	101693912	Body, Front with Headlight Opening – Burgundy .....	1	1
9	1011014	Trim, Front Body .....	1	1
10	1010435	Screw, Round-Head Square-Neck, 5/16-18 x 1 .....	2	2
11	1241	Washer, Flat, 5/16 .....	2	2
12	1011017	Screw, Flange Lock .....	6	6
13	1011394	T-Nut, Slab Base (package of 4) .....	1	1
14	101347501	Bumper, Side Guard Trim .....	2	2
15	102310701	Screw, Hex Washer-Head, #8-18 x 3/8 .....	8	8
16	1015032	Mat, Floor .....	1	1
17	7473	Nut, Nylon Lock, 5/16-18 .....	2	2
18	102259001	Emblem, IR, Golf Car (for 2002 vehicles) .....	1	1

**1**  
**G**  
**E**

**1**  
**G**  
**E**

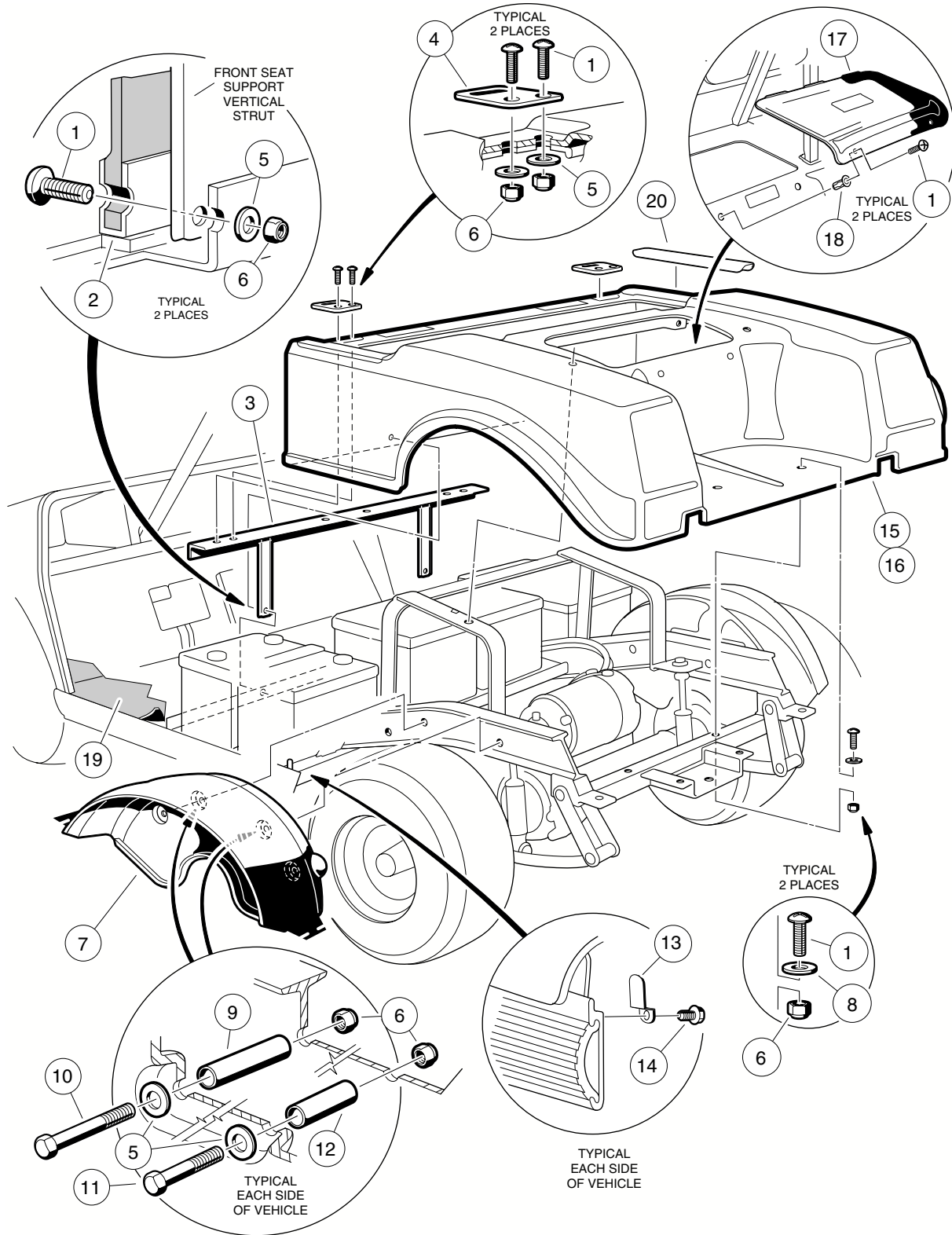


# REAR BODY AND FENDER – GASOLINE VEHICLE

ITEM	PART NO.	DESCRIPTION	QTY
		1 2 3 4	
1	8251	Screw, Phillips Head, 1/4-20 x 1 .....	10
2	101904101	Plate, Body Kick .....	1
3	1014306	Washer, Flat, Type B, 1/4 .....	2
4	1012412	Plate, Body Hinge .....	2
5	332	Washer, Flat, 1/4 .....	10
6	8233	Nut, Nylon Lock, 1/4-20 .....	12
7	1013032	Door, Access – Black .....	1
7	1013140	Door, Access – Beige .....	1
8	1015525	Nut, Blind, 1/4-20 .....	2
9	101692601	Body – Beige .....	1
9	101692602	Body – White .....	1
9	101692604	Body – Gray .....	1
9	101692606	Body – Red .....	1
9	101692609	Body – Royal Blue (Pacific Blue) .....	1
9	101692610	Body – Dark Green .....	1
9	101692611	Body – Black .....	1
9	101692612	Body – Classic Blue (Navy) .....	1
9	101692613	Body – Burgundy .....	1
10	101696208	Body with Taillight Opening – Beige .....	1
10	101696209	Body with Taillight Opening – White .....	1
10	101696211	Body with Taillight Opening – Gray .....	1
10	101696213	Body with Taillight Opening – Red .....	1
10	101696215	Body with Taillight Opening – Royal Blue (Pacific Blue) .....	1
10	101696216	Body with Taillight Opening – Dark Green .....	1
10	101696219	Body with Taillight Opening – Black .....	1
10	101696220	Body with Taillight Opening – Classic Blue (Navy) .....	1
10	101696221	Body with Taillight Opening – Burgundy .....	1
11	1017748	Clip, Body Keeper .....	2
12	1012047	Screw, Self-Tapping, #8-32 x 3/8 .....	2
13	7847	Screw, Hex Head Cap, 1/4-20 x 3/4 .....	4
14	1017936	Fender, Inner .....	2
15	1017141	Support, Front Body .....	1
16	1015032	Mat, Floor .....	1
17	102221201	Pad, Wear .....	2

**1**  
**G**  
**E**

**1**  
**G**  
**E**



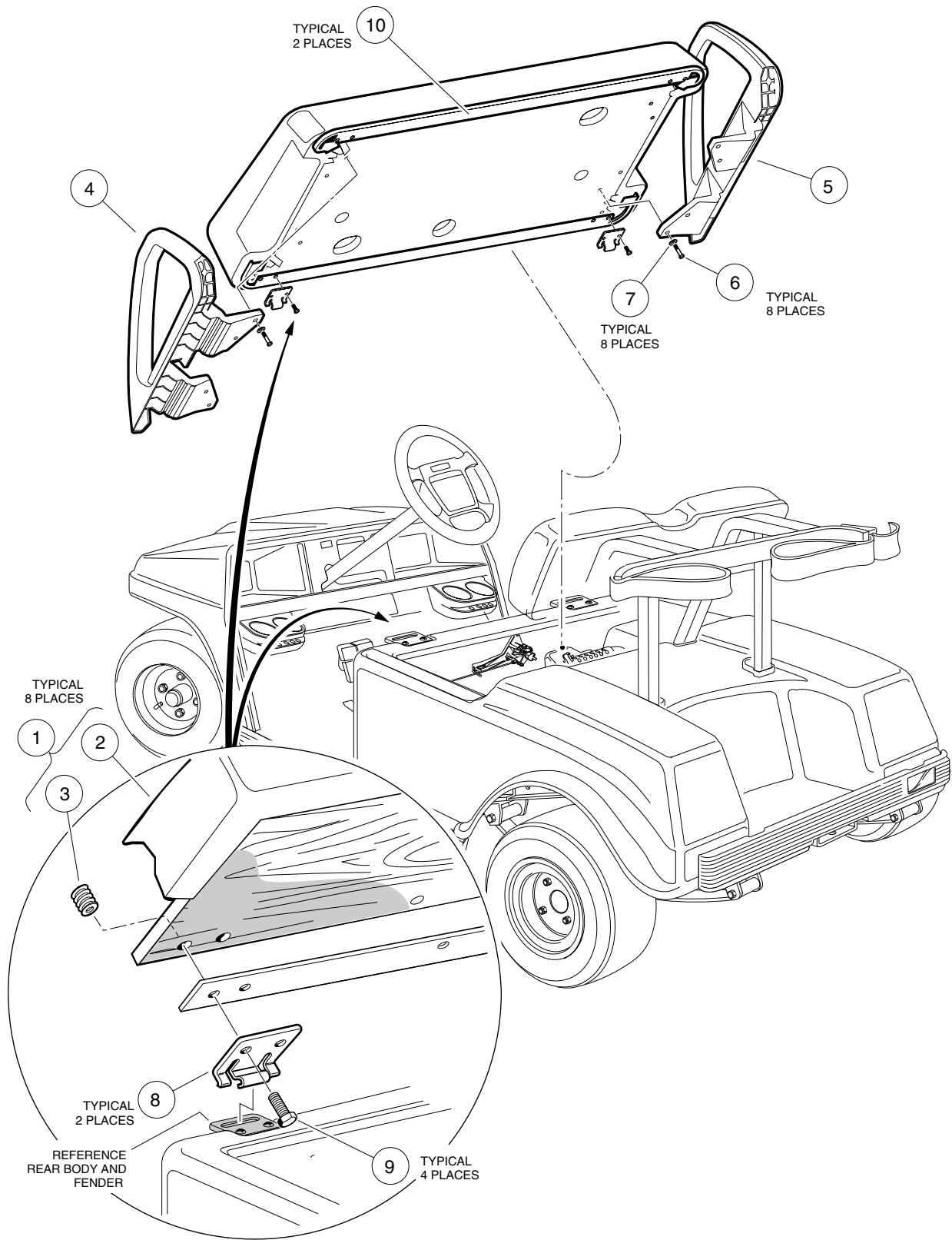


# REAR BODY AND FENDER – ELECTRIC VEHICLE

ITEM	PART NO.	DESCRIPTION	QTY
		1 2 3 4	
1	8251	Screw, Phillips Head, 1/4-20 x 1 .....	10
2	101904101	Plate, Body Kick .....	1
3	1017141	Support, Front Body .....	1
4	1012412	Plate, Body Hinge .....	2
5	332	Washer, Flat, 1/4 .....	10
6	8233	Nut, Nylon Lock, 1/4-20 .....	12
7	1017936	Fender, Inner .....	2
8	1014306	Washer, Flat, Type B, 1/4 .....	2
9	1017814	Spacer, 1-7/8 .....	2
10	1012159	Screw, Hex Head Cap, 1/4-20 x 2-3/4 .....	2
11	7479	Screw, Hex Head Cap, 1/4-20 x 1-1/4 .....	2
12	1017815	Spacer, 1/2 .....	2
13	1017748	Clip, Body Keeper .....	2
14	1012047	Screw, Self-Tapping, #8-32 .....	2
15	101693301	Body – Beige .....	1
15	101693302	Body – White .....	1
15	101693304	Body – Gray .....	1
15	101693306	Body – Red .....	1
15	101693309	Body – Royal Blue (Pacific Blue).....	1
15	101693310	Body – Dark Green .....	1
15	101693311	Body – Black .....	1
15	101693312	Body – Classic Blue (Navy).....	1
15	101693313	Body – Burgundy .....	1
16	101696201	Body with Taillight Opening – Beige .....	1
16	101696202	Body with Taillight Opening – White .....	1
16	101696204	Body with Taillight Opening – Gray .....	1
16	101696206	Body with Taillight Opening – Red .....	1
16	101696217	Body with Taillight Opening – Royal Blue (Pacific Blue) .....	1
16	101696218	Body with Taillight Opening – Dark Green .....	1
16	101696222	Body with Taillight Opening – Black .....	1
16	101696223	Body with Taillight Opening – Classic Blue (Navy) .....	1
16	101696224	Body with Taillight Opening – Burgundy .....	1
17	1013032	Door, Access – Black .....	1
17	1013140	Door, Access – Beige .....	1
18	1015525	Nut, Blind, 1/4-20 .....	2
19	1015032	Mat, Floor .....	1
20	102221201	Pad, Wear .....	2

**1**  
**G**  
**E**

**1**  
**G**  
**E**

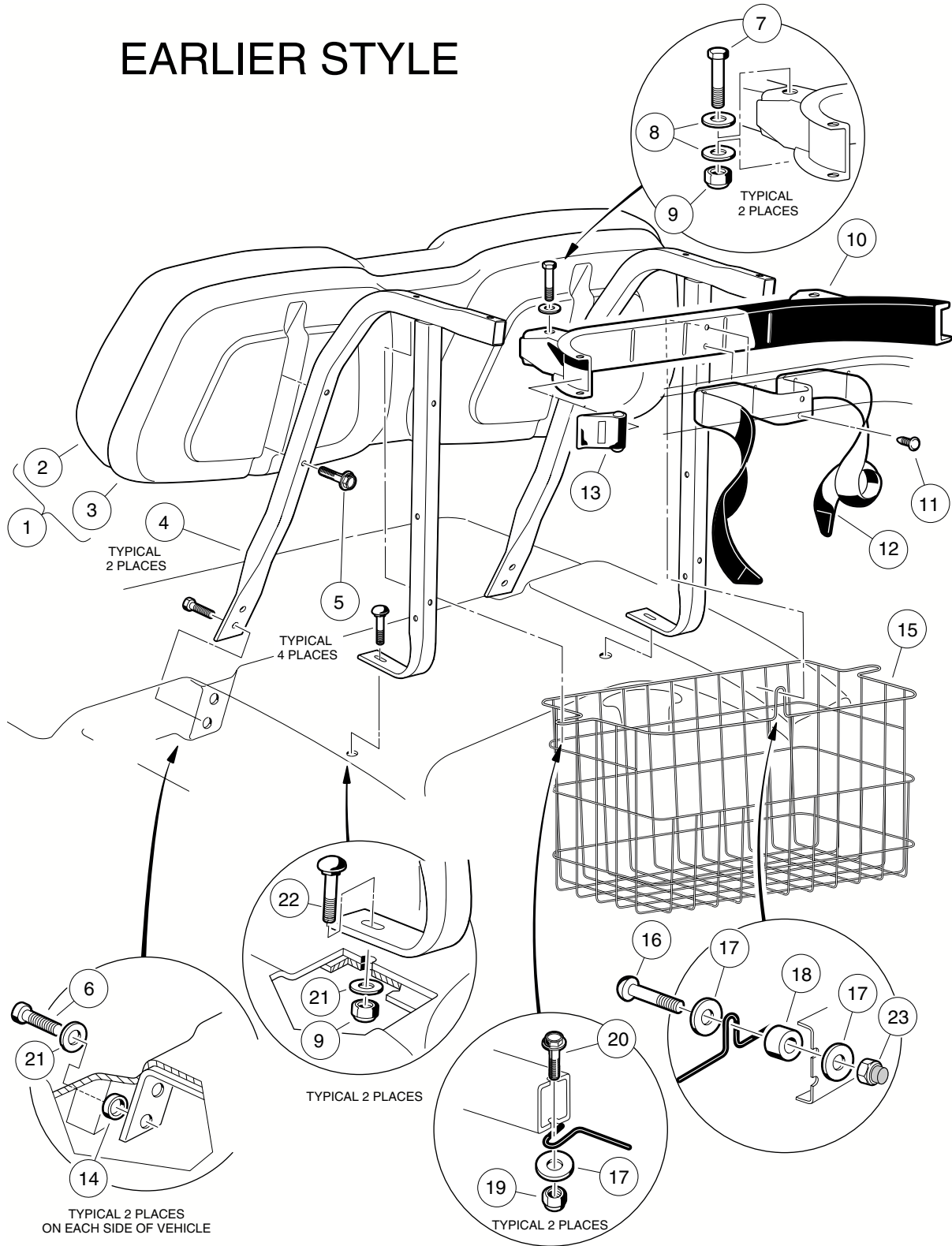


# SEAT BOTTOM AND ARMREST

ITEM	PART NO.	DESCRIPTION	QTY GAS	QTY ELEC
		1 2 3 4		
1	102174201	Assembly, Seat Bottom – Buff (includes items 2 and 3) .....	1	1
1	102174202	Assembly, Seat Bottom – White (includes items 2 and 3) .....	1	1
1	102174204	Assembly, Seat Bottom – Black (includes items 2 and 3) .....	1	1
1	102174205	Assembly, Seat Bottom – Gray (includes items 2 and 3) .....	1	1
2	101998201	Cover, Vinyl Seat Bottom – Buff .....	1	1
2	101998202	Cover, Vinyl Seat Bottom – White .....	1	1
2	101998204	Cover, Vinyl Seat Bottom – Black .....	1	1
2	101998205	Cover, Vinyl Seat Bottom – Gray .....	1	1
3	1010543	Insert, Wood .....	12	12
4	101987601	Armrest, Driver Side .....	1	1
5	101985501	Armrest, Passenger Side .....	1	1
6	1016916	Screw, Hex Head Cap, 1/4-20 x 1-1/2 .....	8	8
7	332	Washer, Flat, Type A .....	8	8
8	1011652	Plate, Seat Hinge, Stainless Steel .....	2	2
9	101954301	Screw, Hex Head Cap, 1/4-20 x 3/4 (with patch) .....	4	4
10	101998501	Gasket, Seat .....	2	2

1  
G  
E

# EARLIER STYLE

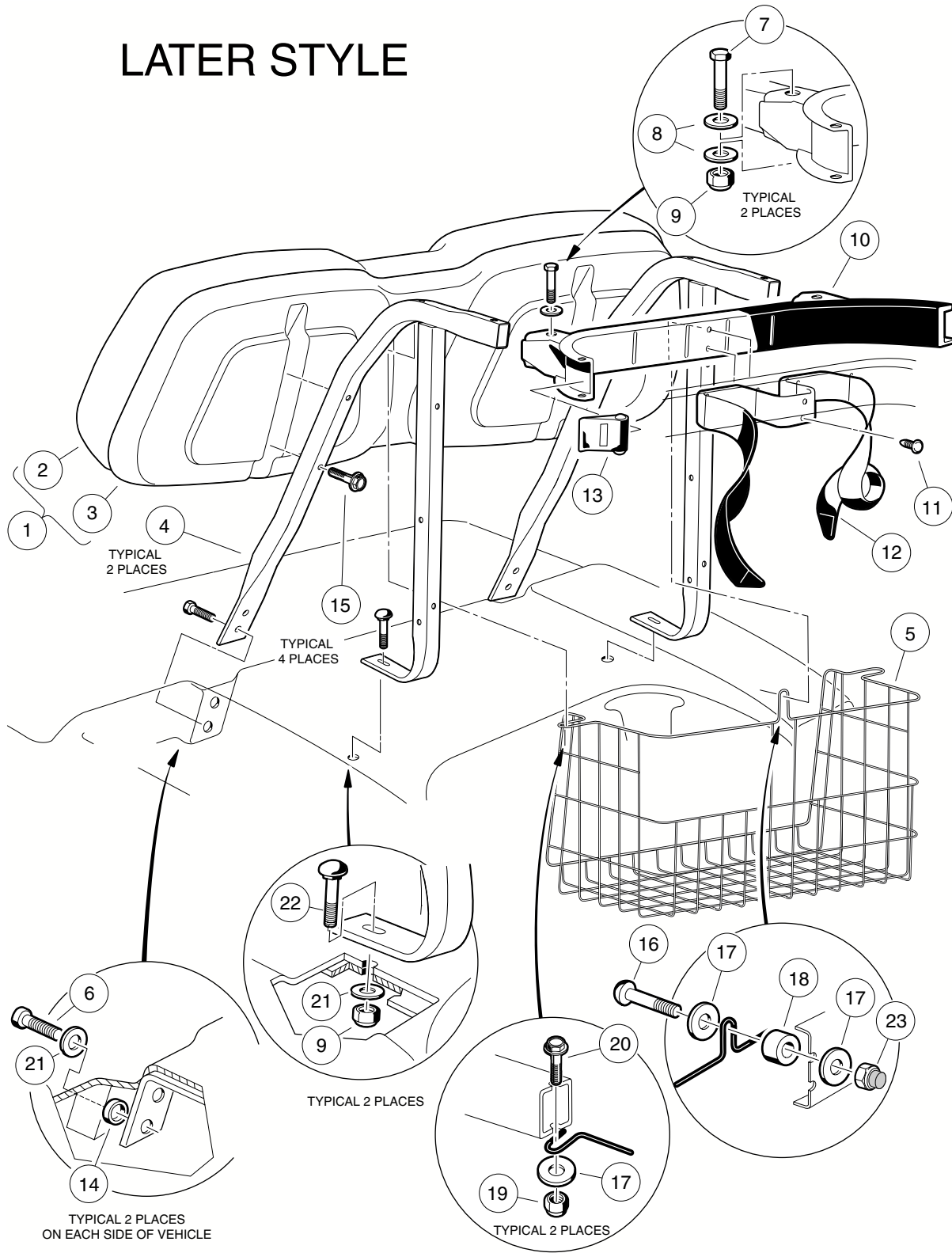


# SEAT BACK AND BAG HOOP – EARLIER STYLE

ITEM	PART NO.	DESCRIPTION	QTY GAS	QTY ELEC
		<p style="margin: 0;">1 2 3 4</p> <p style="margin: 0;">This manual includes two seat back styles. Not all parts are interchangeable, so it is important to identify the correct seat back style for your vehicle.</p> <p style="margin: 0;">Earlier and later seat back styles can be distinguished most easily by differences in the sweater basket design.</p> <p style="margin: 0;">Before ordering parts from this page, compare your vehicle's sweater basket to those shown on pages 1-12 and 1-14. Order from the page that corresponds to the sweater basket style of your vehicle.</p>		
1	102076601	Assembly, Seat Back – Buff (includes item 2) .....	1	1
1	102076602	Assembly, Seat Back – White (includes item 2) .....	1	1
1	102076604	Assembly, Seat Back – Black (includes item 2) .....	1	1
1	102076605	Assembly, Seat Back – Gray (includes item 2) .....	1	1
2	102060501	Cover, Vinyl, Seat Back – Buff .....	1	1
2	102060502	Cover, Vinyl, Seat Back – White .....	1	1
2	102060504	Cover, Vinyl, Seat Back – Black .....	1	1
2	102060505	Cover, Vinyl, Seat Back – Gray .....	1	1
3	102058901	Cap, Seat Back – Black .....	1	1
4	102059901	Weldment, Support, Seat Back .....	2	2
5	102076701	Screw, SEMS (with Patch) 1/4-20 x 1-3/4 .....	4	4
6	101910401	Screw, Self-Tapping, 5/16-18 x 1-1/4 .....	4	4
7	1010921	Screw, Cap Hex Head, 5/16-18 x 2-1/2 .....	2	2
8	1015075	Washer, Flat, 5/16 .....	4	4
9	7473	Nut, Nylon Lock, 5/16-18 .....	4	4
10	1013935	Assembly, Bag Hoop (includes items 11 - 13) .....	1	1
11	1010434	Fastener, Plastic Barrel .....	2	2
12	1010413	Strap, Bag .....	1	1
13	1013754	Buckle, Bag Strap .....	2	2
14	1017774	Spacer, Body .....	4	4
15	101707206	Kit, Sweater Basket (includes items 16 - 20) .....	1	1
16	8418	Screw, Phillips Truss Head, 1/4-20 x 1-1/2 .....	1	1
17	1015075	Washer, Flat, 5/16 .....	4	4
18	1014482	Spacer, Nylon .....	1	1
19	8233	Nut, Nylon Lock, 1/4-20 .....	2	2
20	7479	Screw, Hex Head Cap, 1/4-20 x 1-1/4.....	2	2
21	1241	Washer, Flat, 5/16 .....	6	6
22	7818	Screw, Round-Head Square-Neck, 5/16-18 x 1-1/2 .....	2	2
23	102242401	Nut, Nylon Insert with Cap, 1/4-20 .....	1	1
	102237903	Kit, Seat Back Retrofit (not shown) converts the earlier style seat back to the later style back (includes items 3, 4, and 5 on page 1-15) .....	1	1

1  
G  
E

# LATER STYLE

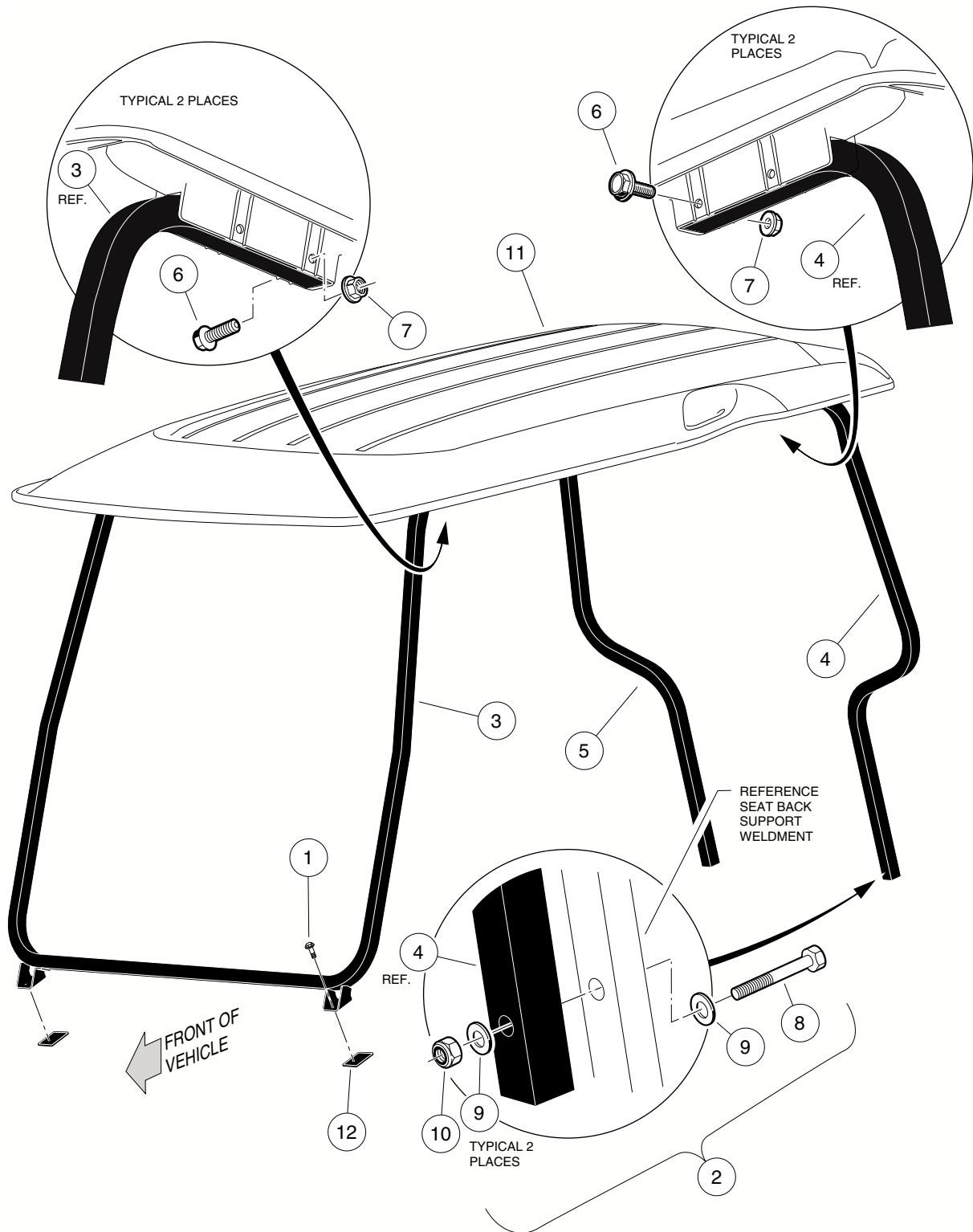


# SEAT BACK AND BAG HOOP – LATER STYLE

ITEM	PART NO.	DESCRIPTION	QTY GAS	QTY ELEC
		<p style="margin: 0;">1 2 3 4</p> <p style="margin: 0;">This manual includes two seat back styles. Not all parts are interchangeable, so it is important to identify the correct seat back style for your vehicle.</p> <p style="margin: 0;">Earlier and later seat back styles can be distinguished most easily by differences in the sweater basket design.</p> <p style="margin: 0;">Before ordering parts from this page, compare your vehicle's sweater basket to those shown on pages 1-12 and 1-14. Order from the page that corresponds to the sweater basket style of your vehicle.</p>		
1	102238301	Assembly, Seat Back – Buff (includes items 2 and 3) .....	1	1
1	102238302	Assembly, Seat Back – White (includes items 2 and 3) .....	1	1
1	102238304	Assembly, Seat Back – Black (includes items 2 and 3) .....	1	1
1	102238305	Assembly, Seat Back – Gray (includes items 2 and 3) .....	1	1
2	102060501	Cover, Vinyl, Seat Back – Buff .....	1	1
2	102060502	Cover, Vinyl, Seat Back – White .....	1	1
2	102060504	Cover, Vinyl, Seat Back – Black .....	1	1
2	102060505	Cover, Vinyl, Seat Back – Gray .....	1	1
3	102237001	Cap, Seat Back – Black .....	1	1
4	102236601	Weldment, Support, Seat Back .....	2	2
5	102236703	Basket, Sweater .....	1	1
6	101910401	Screw, Self-Tapping, 5/16-18 x 1-1/4 .....	4	4
7	1010921	Screw, Cap Hex Head, 5/16-18 x 2-1/2 .....	2	2
8	1015075	Washer, Flat, 5/16 .....	4	4
9	7473	Nut, Nylon Lock, 5/16-18 .....	4	4
10	1013935	Assembly, Bag Hoop (includes items 11 - 13) .....	1	1
11	1010434	Fastener, Plastic Barrel .....	2	2
12	1010413	Strap, Bag .....	1	1
13	1013754	Buckle, Bag Strap .....	2	2
14	1017774	Spacer, Body .....	4	4
15	102076701	Screw, SEMS (with Patch) 1/4-20 x 1-3/4 .....	4	4
16	8418	Screw, Phillips Truss Head, 1/4-20 x 1-1/2 .....	1	1
17	1015075	Washer, Flat, 5/16 .....	4	4
18	1014482	Spacer, Nylon .....	1	1
19	8233	Nut, Nylon Lock, 1/4-20 .....	2	2
20	7479	Screw, Hex Head Cap, 1/4-20 x 1-1/4.....	2	2
21	1241	Washer, Flat, 5/16 .....	6	6
22	7818	Screw, Round-Head Square-Neck, 5/16-18 x 1-1/2 .....	2	2
23	102242401	Nut, Nylon Insert with Cap, 1/4-20 .....	1	1
	102237903	Kit, Seat Back Retrofit (not shown) converts the earlier style seat back to the later style back (includes items 3, 4, and 5) .....	1	1

1  
G  
E

**1**  
**G**  
**E**





# CANOPY

ITEM	PART NO.	DESCRIPTION	QTY GAS	QTY ELEC
		1 2 3 4		
1	102099101	Screw, SEMS (with patch) 5/16-18 x 1.....	2	2
2	102155501	Kit, Support (includes items 3 - 10) .....	1	1
3	102063901	Weldment, Windshield .....	1	1
4	102065501	Support, Rear Canopy (driver side) .....	1	1
5	102064601	Support, Rear Canopy (passenger side) .....	1	1
6	102076701	Screw, Sems, (with patch) 1/4-20 x 1-3/4 .....	8	8
7	101835601	Nut, Flange, 1/4-20 .....	8	8
8	324	Screw, Hex Head Cap, 1/4-20 x 2-1/2 .....	2	2
9	332	Washer, Flat, 1/4 .....	4	4
10	8233	Nut, Lock, 1/4-20 .....	2	2
11	102061301	Canopy – White .....	1	1
11	102061302	Canopy – Beige .....	1	1
12	102198301	Pad, Mounting (windshield frame).....	2	2

**1**  
**G**  
**E**

**1**

**G**

**E**

# WHEELS AND TIRES

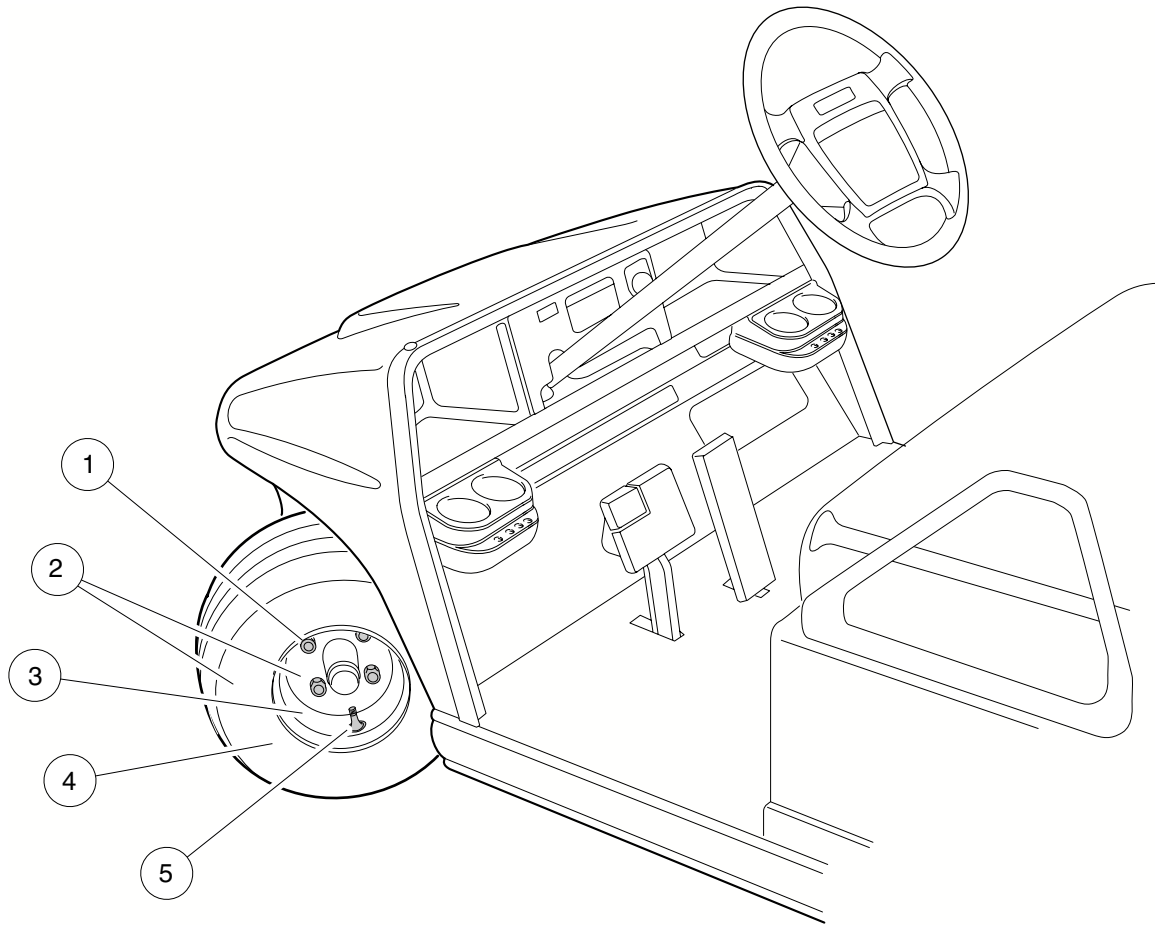
---

2

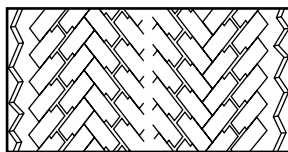
G

E

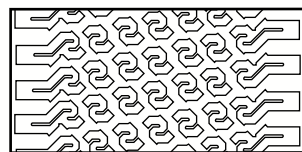
**2**  
**G**  
**E**



STANDARD  
TREAD



PREMIUM  
TREAD



EXTRA  
TRACTION

# WHEELS AND TIRES

ITEM	PART NO.	DESCRIPTION	QTY GAS	QTY ELEC
		1 2 3 4		
1	1010984	Nut, Lug .....	16	16
2	101570501	Assembly, Wheel (beige) and Standard Tread Tire (18 x 8.50 - 8) .....	4	4
2	101570502	Assembly, Wheel (beige) and Premium Tread Tire (18 x 8.50 - 8) (Carlisle®) .....	4	4
2	101570507	Assembly, Wheel (beige) and Extra Traction Tire, 6-Ply Rated (18 x 8.50 - 8) .....	4	4
2	101570508	Assembly, Wheel (beige) and Performance Grade Tread Tire (18 x 8.50 - 8) (Duro®) .....	4	4
2	101570513	Assembly, Wheel (beige) and Premium Grade Tire (18 x 8.50 - 8) (Kenda®) .....	4	4
2	101651401	Assembly, Wheel (white) and Standard Tread Tire (18 x 8.50 - 8) .....	4	4
2	101651402	Assembly, Wheel (white) and Premium Tread Tire (18 x 8.50 - 8) (Carlisle) .....	4	4
2	101651407	Assembly, Wheel (white) and Extra Traction Tire, 6-Ply Rated (18 x 8.50 - 8) .....	4	4
2	101651408	Assembly, Wheel (white) and Performance Grade Tread Tire (18 x 8.50 - 8) (Duro) .....	4	4
2	101651413	Assembly, Wheel (white) and Premium Grade Tire (18 x 8.50 - 8) (Kenda) .....	4	4
3	1015707	Wheel Rim – Beige .....	4	4
3	1014771	Wheel Rim – White .....	4	4
4	727102	Tire, Unmounted, Standard Tread (18 x 8.50 - 8) .....	4	4
4	101567201	Tire, Unmounted, Performance Grade Tread (Duro) .....	4	4
4	101567202	Tire, Unmounted, Premium Tread (18 x 8.50 - 8) (Carlisle) .....	4	4
4	101769302	Tire, Unmounted, Extra Traction, 6-Ply Rated (18 x 8.50 - 8) .....	4	4
5	7310	Stem, Valve .....	4	4

2  
G  
E

**2**

**G**

**E**

# DECALS

---

3

G

E

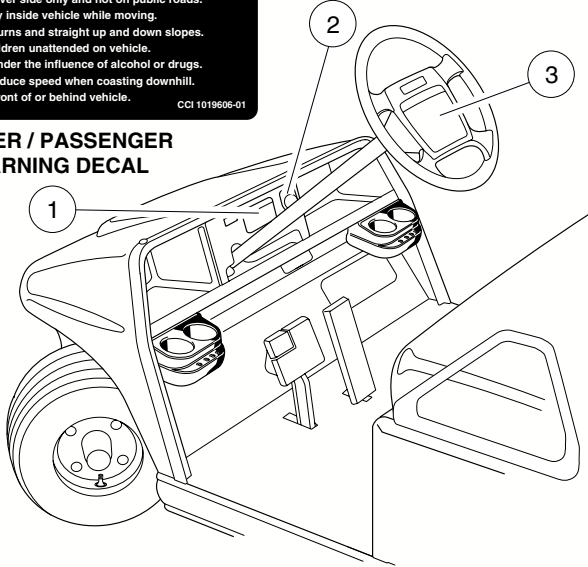
**⚠ WARNING**

**ROLLOVER OR FALLING OFF MAY CAUSE DEATH.**

- Before using vehicle, read operating instructions.
- Remain seated and hold on to seat handle while moving.
- Do not start vehicle until all occupants are seated.
- Two (2) persons per seat maximum.
- Operate from driver side only and not on public roads.
- Keep entire body inside vehicle while moving.
- Drive slowly in turns and straight up and down slopes.
- Do not leave children unattended on vehicle.
- Never operate under the influence of alcohol or drugs.
- Use brakes to reduce speed when coasting downhill.
- Never stand in front of or behind vehicle.

CCI 1019606-01

**DRIVER / PASSENGER  
WARNING DECAL**



**OFF | ON**

**KEY SWITCH  
DECAL**

**OPERATING INSTRUCTIONS**

- Read Owner's Manual and safety warnings located on dash panel prior to driving.
  - Study and understand controls.
- Make sure wheels are turned in desired direction.
- Turn key to "ON" position and be sure nothing is in your path.
  - While vehicle is stopped, select direction by placing shift lever or switch in desired position:
    - F - Forward N - Neutral R - Reverse (Buzzer will sound)
- Vehicle will start moving when accelerator pedal is depressed.
- Slowly depress accelerator pedal to increase speed. Park brake will release when accelerator pedal is depressed.
- To stop, release accelerator pedal and depress brake pedal.
  - After stopping, firmly depress park brake until it locks.
  - Place forward and reverse switch in neutral position. Turn key "OFF" and remove key when not in use.

CCI 1016216-01

**OPERATING INSTRUCTIONS  
DECAL**

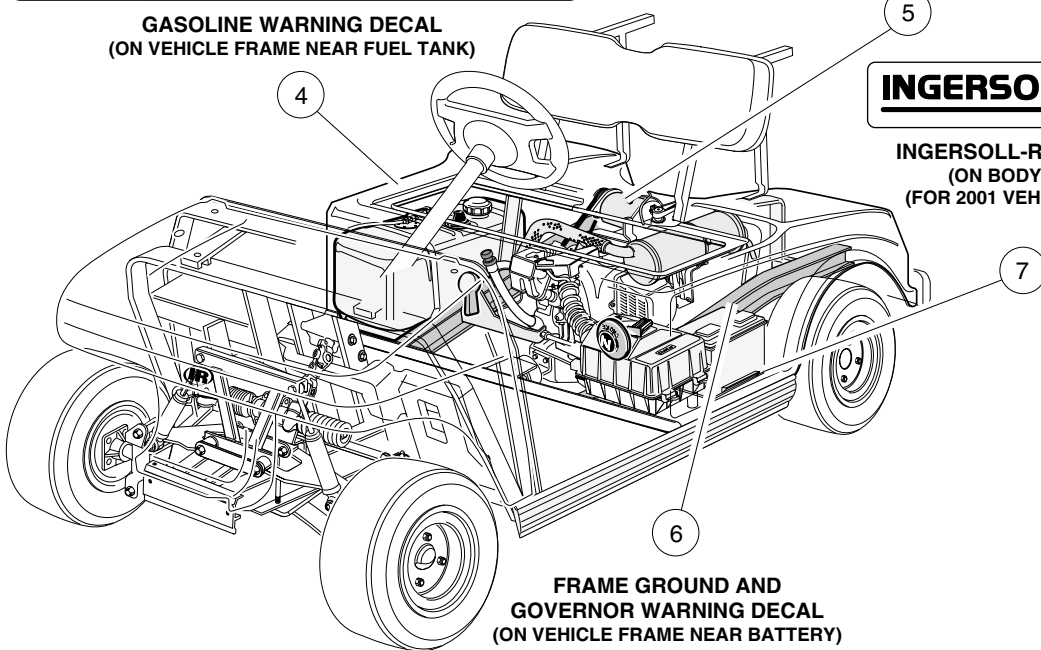
**⚠ WARNING**

**GASOLINE EXPLOSION / FIRE.**

- CAN CAUSE SEVERE INJURY OR DEATH.
- NO SMOKING, SPARKS, OR OPEN FLAME.
- STOP ENGINE, ALLOW TO COOL BEFORE REFUELING.
- TURN FUEL VALVE (  ) ON DURING OPERATION. (  ) OFF DURING STORAGE OR TRANSPORT.

CCI 1015476-01

**GASOLINE WARNING DECAL  
(ON VEHICLE FRAME NEAR FUEL TANK)**



**FRAME GROUND AND  
GOVERNOR WARNING DECAL  
(ON VEHICLE FRAME NEAR BATTERY)**

**⚠ WARNING**

**CAN CAUSE SEVERE INJURY**

**Rotating parts**

**HOT  
manifold & muffler**

**KEEP CLEAR** CCI 1019605-01

**ROTATING PARTS AND  
HOT MANIFOLD DECAL  
(ON STARTER/GENERATOR  
AND ENGINE)**

**INGERSOLL-RAND**

**INGERSOLL-RAND DECAL  
(ON BODY PANEL)  
(FOR 2001 VEHICLES ONLY)**

	<p><b>⚠ WARNING</b></p> <p>Negative frame ground. Can cause severe injury. Do not contact positive (+) battery post or cable to frame. Disconnect negative battery lead first.</p>		<p><b>⚠ WARNING</b></p> <p>Excessive speed. Can cause severe injury or death. Do not tamper with engine governor adjustment.</p> <p>CCI 1019152-01</p>
---	--	---	--



# DECALS – GASOLINE VEHICLE

ITEM	PART NO.	DESCRIPTION	QTY
		1 2 3 4	
1	101960601	Decal, Driver/Passenger Warning .....	1
2	101825101	Decal, Key Switch .....	1
3	101621601	Decal, Operating Instructions .....	1
4	101547601	Decal, Gasoline Warning .....	1
5	101960501	Decal, Rotating Parts and Hot Manifold Warning .....	2
6	101915201	Decal, Frame Ground and Governor Warning .....	1
7	101952401	Decal, Ingersoll-Rand – Gold (for 2001 vehicles only).....	2

3  
G  
E

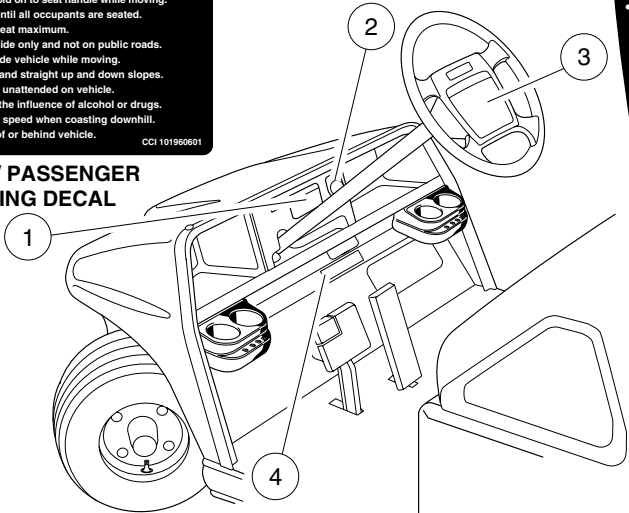
**WARNING**

**ROLLOVER OR FALLING OFF MAY CAUSE DEATH.**

- Before using vehicle, read operating instructions.
- Remain seated and hold on to seat handle while moving.
- Do not start vehicle until all occupants are seated.
- Two (2) persons per seat maximum.
- Operate from driver side only and not on public roads.
- Keep entire body inside vehicle while moving.
- Drive slowly in turns and straight up and down slopes.
- Do not leave children unattended on vehicle.
- Never operate under the influence of alcohol or drugs.
- Use brakes to reduce speed when coasting downhill.
- Never stand in front of or behind vehicle.

CCI 10196601

**DRIVER / PASSENGER  
WARNING DECAL**



**OFF | ON**

**KEY SWITCH DECAL**

**OPERATING INSTRUCTIONS**

- Read Owner's Manual and safety warnings located on dash panel prior to driving.
  - Study and understand controls.
- Make sure wheels are turned in desired direction.
- Turn key to "ON" position and be sure nothing is in your path.
- While vehicle is stopped, select direction by placing shift lever or switch in desired position:
  - F - Forward N - Neutral R - Reverse (Buzzer will sound)
- Vehicle will start moving when accelerator pedal is depressed.
- Slowly depress accelerator pedal to increase speed. Park brake will release when accelerator pedal is depressed.
- To stop, release accelerator pedal and depress brake pedal.
- After stopping, firmly depress park brake until it locks.
- Place forward and reverse switch in neutral position. Turn key "OFF" and remove key when not in use.

CCI 1016216-01

**OPERATING INSTRUCTIONS  
DECAL**

**ELECTRICAL COMPONENT DECAL  
(ON SPEED CONTROLLER COVER  
IQ SYSTEM VEHICLE ONLY)**

**MOTOR BRAKING DECAL  
(POWERDRIVE PLUS VEHICLES ONLY)**

**IMPORTANT NOTICE**

VEHICLE EQUIPPED TO LIMIT DOWNHILL SPEED

- Maximum vehicle speed is limited during downhill operation with accelerator pedal depressed.
- Vehicle will brake gently when accelerator pedal is released.
- System is activated only when tow switch is in the "RUN" position.
- When towing vehicle, tow switch must be in the "TOW" position.

CCI 1019599-01

(IQ SYSTEM VEHICLES ONLY)

**IMPORTANT NOTICE**

- Maximum vehicle speed is limited by motor braking during downhill operation with accelerator pedal depressed.
- If motor brake enabled, vehicle motor will brake when accelerator pedal is released.
- Beeping alarm indicates reduction in motor braking. Apply brakes to reduce speed.
- System is activated only when tow switch is in the "RUN" position.
- When towing vehicle, tow switch must be in the "TOW" position.

101959902

**NOTICE**

Do not operate vehicle without this cover properly installed. Do not direct water stream in this area; will cause damage to components. See vehicle maintenance and service manual before servicing.

CCI 101931501

**NOTICE**

- DO NOT OPERATE VEHICLE WITHOUT COVER IN PLACE.
- DO NOT DIRECT WATER STREAM AT THIS SWITCH.

CCI 1016109-01

**POTENTIOMETER CAUTION DECAL  
(ON WIPER SWITCH COVER INSIDE  
BATTERY COMPARTMENT)**

**WARNING** HOT RESISTORS (COILED WIRE) CAN CAUSE SEVERE BURNS.

**RESISTOR WARNING DECAL  
(ON FRAME UNDER SEAT ON  
V-GLIDE 36 VOLT VEHICLE)**

(ON MOUNTING PLATE UNDER ACCESS PANEL  
ON POWERDRIVE PLUS VEHICLE EQUIPPED  
WITH A DB SOLENOID AND COIL)

**TOW/RUN SWITCH WARNING DECAL  
(ON TOW/RUN SWITCH BRACKET UNDER SEAT)**

**WARNING** TOW RUN

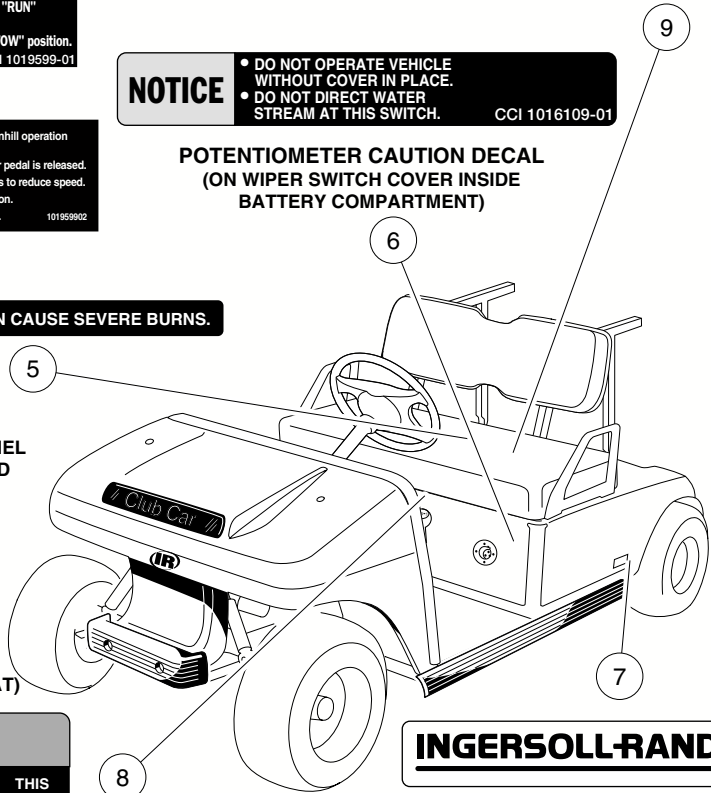
Place Tow/Run switch in TOW position before:

- Disconnecting or connecting batteries
- Towing
- Extended storage
- Servicing

**FAILURE TO HEED THIS WARNING COULD RESULT IN A BATTERY EXPLOSION OR SEVERE PERSONAL INJURY.**

CCI 101908601

(POWERDRIVE PLUS AND IQ SYSTEM VEHICLES)



**INGERSOLL-RAND**

**INGERSOLL-RAND DECAL  
(ON BODY PANEL)  
(FOR 2001 VEHICLES ONLY)**

# DECALS – ELECTRIC VEHICLE

ITEM	PART NO.	DESCRIPTION	QTY
		1 2 3 4	
1	101960601	Decal, Driver/Passenger Warning .....	1
2	101825101	Decal, Key Switch .....	1
3	101621601	Decal, Operating Instructions .....	1
4	101959901	Decal, Motor Braking (PowerDrive Plus vehicle) .....	1
4	101959902	Decal, Motor Braking (IQ System vehicle) .....	1
5	1013496	Decal, Resistor Warning (V-Glide 36-Volt and PowerDrive Plus vehicles) .....	1
6	101610901	Decal, Potentiometer Caution .....	1
7	101952401	Decal, Ingersoll-Rand – Gold (for 2001 vehicles only) .....	2
8	101908601	Decal, Tow/Run Switch (PowerDrive Plus and IQ System vehicles) .....	1
9	101931501	Decal, Electrical Component Cover (IQ System vehicle) .....	1

**3**  
**G**  
**E**

**3**

**G**

**E**

# **BRAKES, PEDAL, AND CABLE ASSEMBLIES**

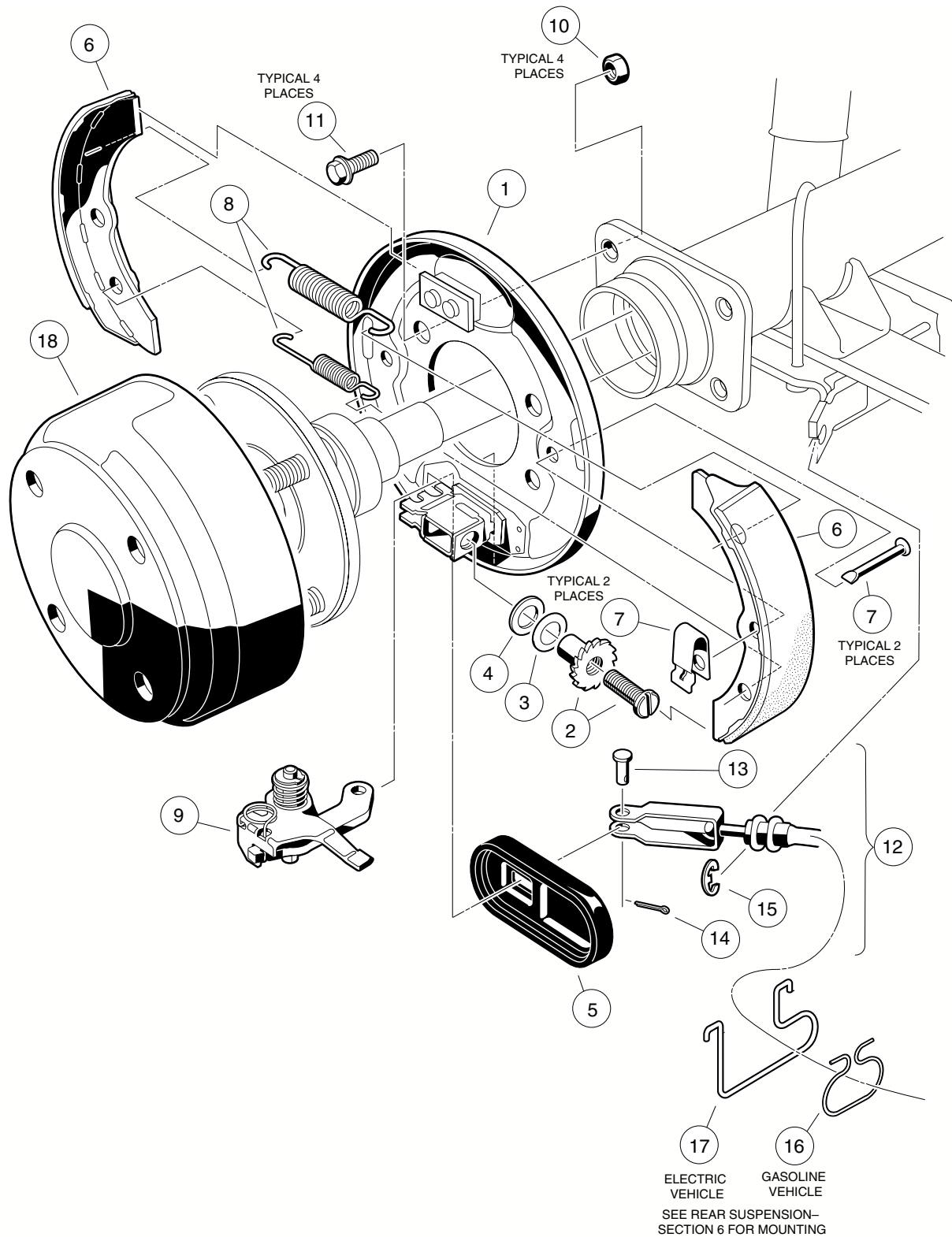
---

**4**

**G**

**E**

**4**  
**G**  
**E**



# BRAKE ASSEMBLY

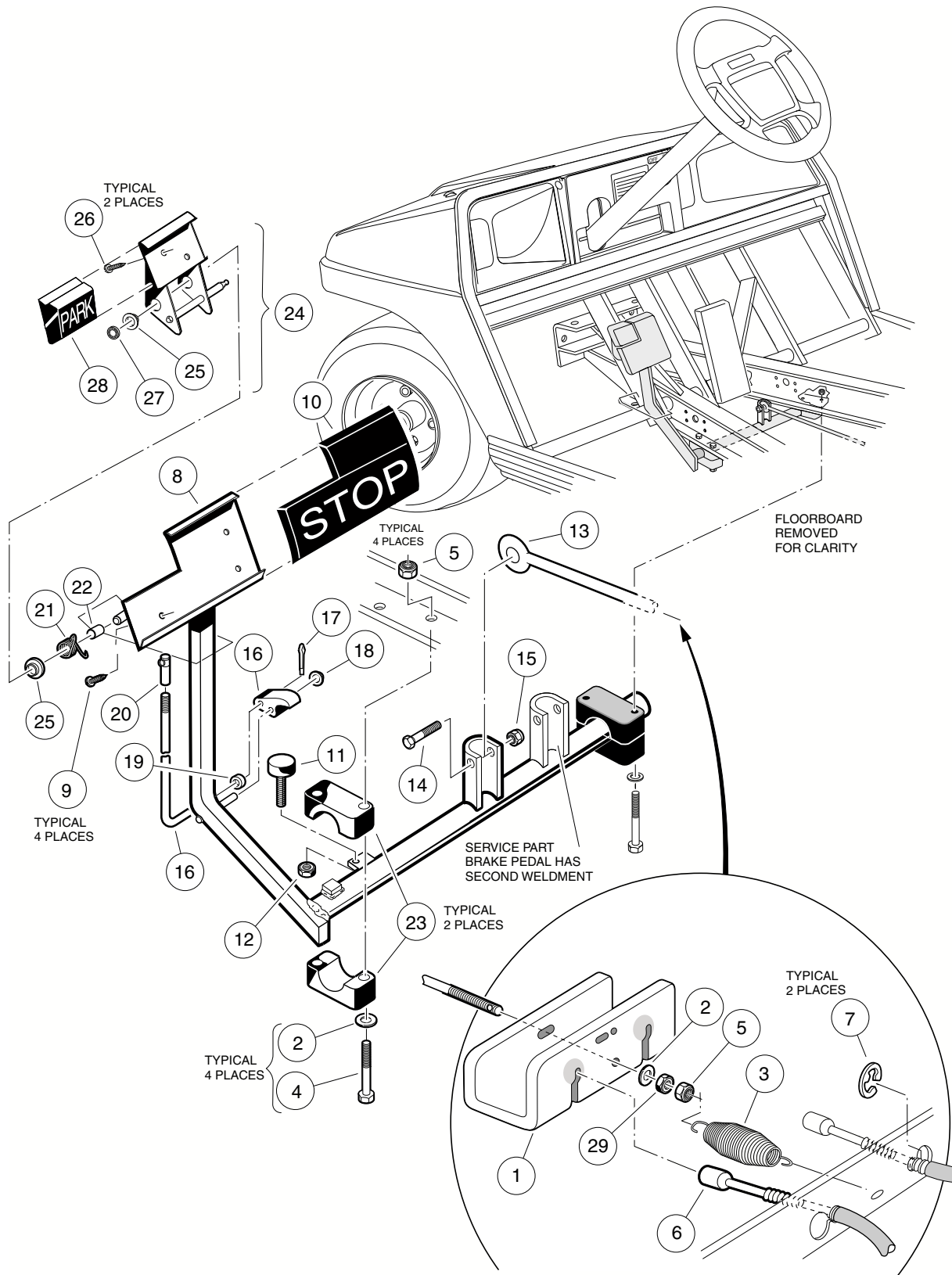
ITEM	PART NO.	DESCRIPTION	QTY GAS	QTY ELEC
		1 2 3 4		
	101823301	Cluster, Brake, Passenger Side (includes items 1 - 9) .....	1	1
	101823302	Cluster, Brake, Driver Side (includes items 1 - 9) .....	1	1
1	101824001	Assembly, Backing Plate, Passenger Side (includes items 2 - 4) .....	1	1
1	101824002	Assembly, Backing Plate, Driver Side (includes items 2 - 4) .....	1	1
2	101816501	Mechanism, Adjusting, Passenger Side .....	1	1
2	101816502	Mechanism, Adjusting, Driver Side .....	1	1
3	101823901	Washer .....	1	1
4	101823801	Washer, Plate .....	1	1
5	1010850	Cover, Dust .....	1	1
6	101823201	Package, Brake Shoe (four pieces) .....	1	1
7	1011466	Kit, Shoe Retainer (four pieces) .....	1	1
8	101816301	Package, Brake Spring (four pieces) .....	1	1
9	101815501	Assembly, Lever, Passenger Side .....	1	1
9	101815502	Assembly, Lever, Driver Side .....	1	1
10	1013924	Nut, Hex Head Lock, Grade 8, 5/16-24 .....	8	8
11	1014153	Bolt, Brake Cluster Mounting, Grade 8, 5/16-24 x 7/8 .....	8	8
12	102022101	Kit, Brake Cable (includes items 13 - 15) .....	2	2
13	1010829	Pin, Clevis, 5/16 .....	2	2
14	1035	Pin, Cotter, 3/32 x 1 .....	2	2
15	1011779	E-Clip, 1/2 .....	2	2
16	101900801	Hanger, Brake Cable (gasoline vehicle only) .....	2	
17	1013207	Hanger, Brake Cable (electric vehicle only) .....		2
18	101791101	Drum, Brake .....	2	2

4

G

E

**4**  
**G**  
**E**



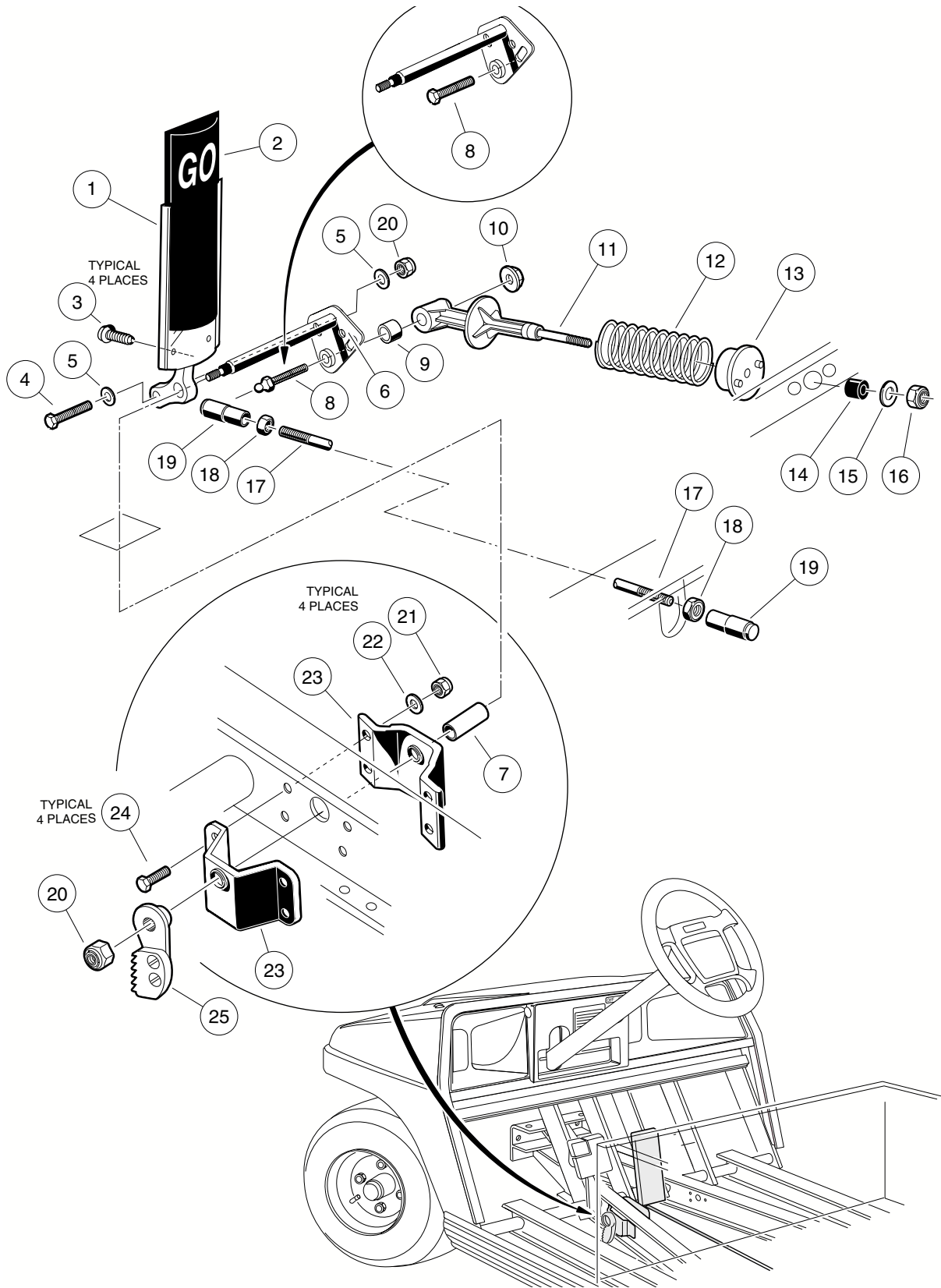


# BRAKE PEDAL AND CABLE ASSEMBLY

ITEM	PART NO.	DESCRIPTION	QTY GAS	QTY ELEC
		1 2 3 4		
1	101990801	Equalizer .....	1	1
2	1241	Washer, Flat, 5/16 .....	5	5
3	1013531	Spring, Brake Return .....	1	1
4	1010921	Screw, Hex Head Cap, 5/16-18 x 2-1/2 .....	4	4
5	7473	Nut, Nylon Lock, 5/16-18 .....	5	5
6	102022101	Kit, Brake Cable (includes item 7, and Items 13 and 14 on page 4-3) .....	2	2
7	1011779	E-Clip, 1/2 .....	2	2
8	101878201	Kit, Brake Pedal (includes items 9 and 10) .....	1	1
9	7716	Screw, Slotted Hex Washer Head, #10-16 x 1/2 .....	4	4
10	1013869	Pad, Brake Pedal .....	1	1
11	1010878	Bumper, Rubber .....	1	1
12	1028	Nut, Hex, 1/4-20 .....	1	1
13	101953101	Rod, Equalizer .....	1	1
14	101953001	Bolt, Hex Head Shoulder, 3/8 x 1 .....	1	1
15	7473	Nut, Nylon Lock, 5/16-18 .....	1	1
	101187702	Kit, Park Brake Latch (includes items 16 - 20 and Item 25 on Page 4-7) ...	1	1
16	N/A	Rod And Pawl .....	1	1
17	1017029	Pin, Cotter, 7/64 x 1/2 .....	1	1
18	1010877	Nut, Push, 5/16 .....	1	1
19	1010805	Sleeve, Park Brake Rod .....	1	1
20	1010932	Joint, Ball, 1/4-28 .....	1	1
21	1010933	Spring, Park Brake Torsion .....	1	1
22	1010927	Spacer, Park Brake .....	1	1
23	1011402	Package, Brake Mounting Block (contains upper and lower for driver and passenger sides) .....	1	1
24	1011418	Kit, Park Brake Pedal (includes items 25 - 28) .....	1	1
25	1032	Bushing, Nylon .....	2	2
26	8626	Screw, Slotted Hex Washer Head, #10-16 x 1/2 .....	2	2
27	1013876	Nut, Push, 3/8 .....	1	1
28	1013870	Pad, Park Brake .....	1	1
29	1242	Nut, Hex, 5/16-18 .....	1	1

**4**  
**G**  
**E**

**4**  
**G**  
**E**



# ACCELERATOR PEDAL ASSEMBLY

ITEM	PART NO.	DESCRIPTION	QTY GAS	QTY ELEC
		1 2 3 4		
1	1017696	Sub-Assembly, Accelerator Pedal (includes Items 2 and 3) .....	1	1
2	1013871	Pad, Accelerator Pedal .....	1	1
3	7716	Screw, Slotted Hex Washer Head, #10-16 x 1/2 .....	4	4
4	1624	Screw, Hex Cap, 3/8-16 x 1-1/2 .....	1	1
5	334	Washer, Flat, 3/8 .....	2	2
6	102026001	Kit, Accelerator Pivot Rod (includes Item 7) .....	1	1
7	1011700	Spacer .....	1	1
8	101818801	Stud, Ball (for all vehicles except those equipped with MCOR) .....	1	1
8	101862001	Screw, Hex Head Cap, 1/4-20 x 1-3/8 (MCOR vehicles) .....	1	1
9	1017424	Bearing, Pivot Support .....	1	1
10	101966901	Nut, Flange, 1/4-28 .....	1	1
11	101817401	Retainer, Spring .....	1	1
12	101796201	Spring, Return .....	1	1
13	1017378	Cup, Spring .....	1	1
14	1017380	Bumper, Return Spring .....	1	1
15	1241	Washer, Flat, 5/16 .....	1	1
16	7473	Nut, Nylon Lock, 5/16-18 .....	1	1
17	101871901	Assembly, Accelerator Rod (PowerDrive System 48 vehicles equipped with multi-step potentiometers and all V-Glide 36-Volt vehicles) (includes items 18 and 19).....		1
17	101912401	Assembly, Accelerator Rod (gasoline vehicle only) (includes items 18 and 19) .....	1	
18	1011084	Nut, UNF Hex Jam, 1/4-28 .....	2	2
19	1011734	Joint, Spring-Loaded Ball .....	2	2
20	8754	Nut, Nylon Lock, 3/8-16 .....	2	2
21	8233	Nut, Nylon Lock, 1/4-20 .....	4	4
22	1014007	Washer, Flat, Type B, 1/4 .....	4	4
23	1011694	Support, Accelerator Pivot Rod .....	2	2
24	101861901	Screw, Hex Cap, 1/4-20 x 1-1/8 .....	4	4
	101187702	Kit, Park Brake Latch (includes item 25, and items 16 - 20 on page 4-5) ..	1	1
25	N/A	Ratchet, Park Brake .....	1	1

**4**  
**G**  
**E**

**4**

**G**

**E**

# STEERING, FRONT AND REAR SUSPENSION

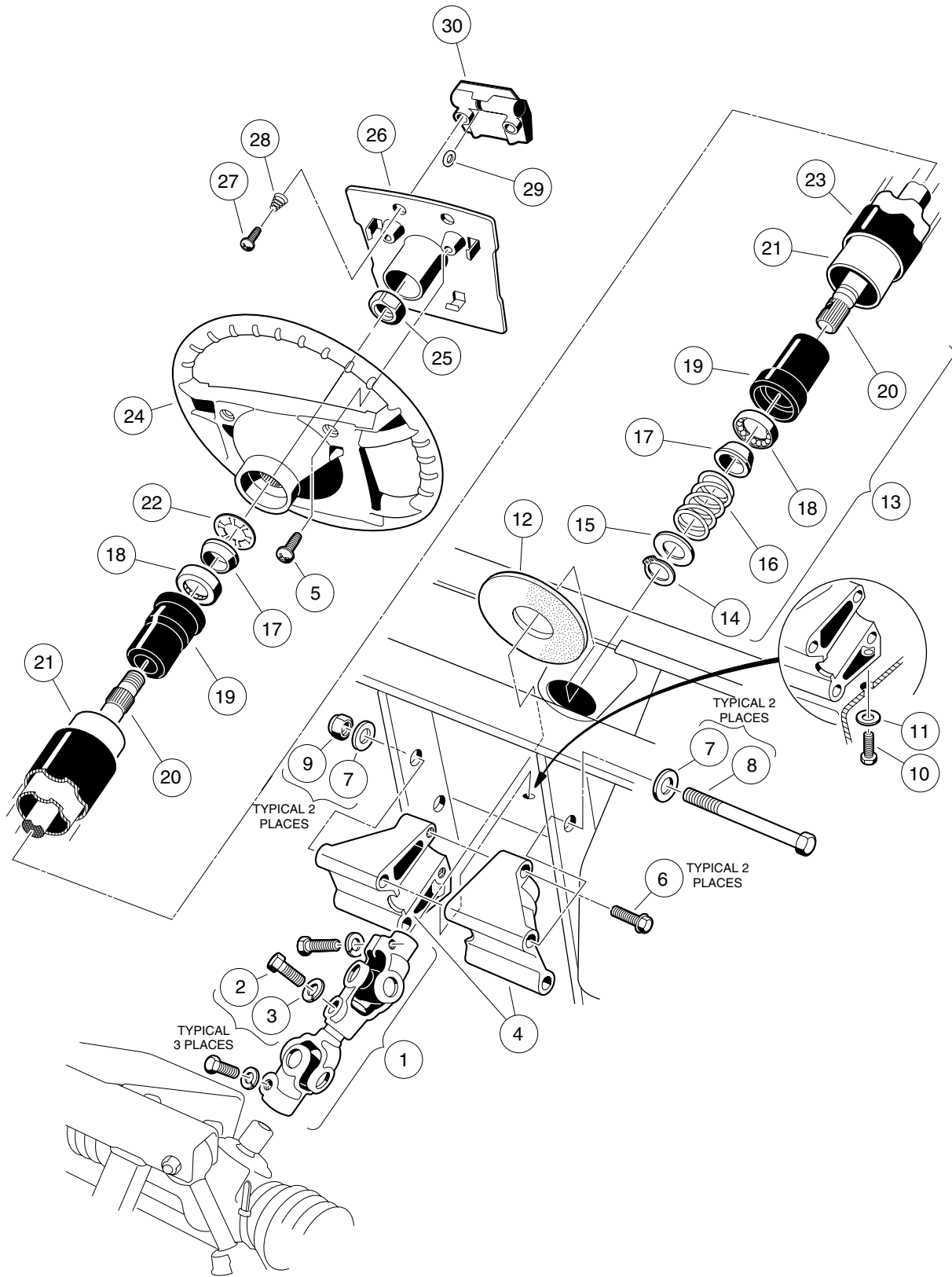
---

5

G

E

**5**  
**G**  
**E**

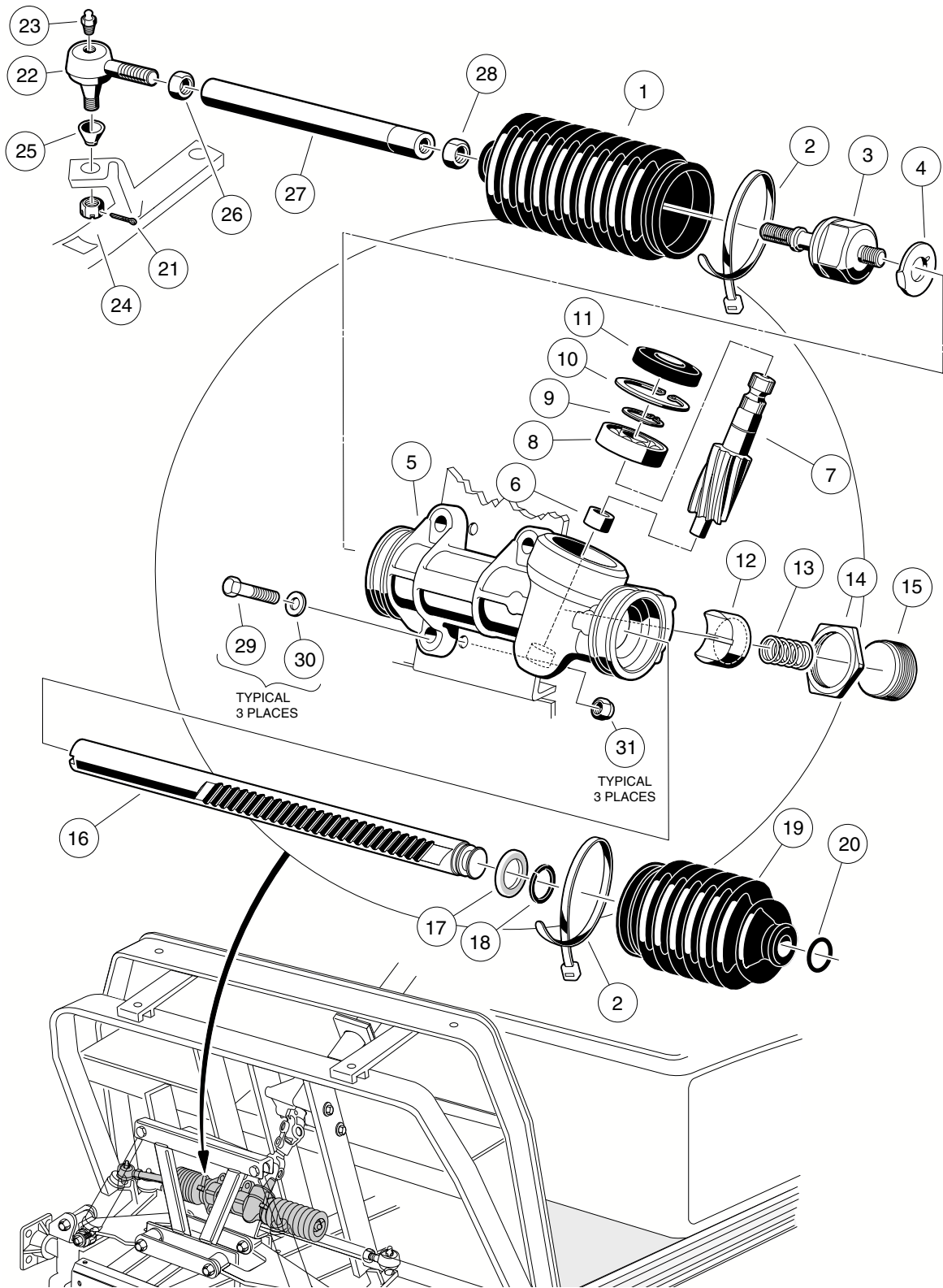


# STEERING COLUMN

ITEM	PART NO.	DESCRIPTION	QTY
		1 2 3 4	
1	1013861	Joint, Compound Steering (includes items 2 and 3) .....	1
2	1017226	Screw, Hex Head Cap, M8 x 1.25 x 30 mm .....	3
3	7174	Washer, Lock, 5/16 .....	3
4	101984801	Kit, Steering Column Mounting Bracket .....	1
5	1016663	Screw, Phillips, Type A, #12-11 x 5/8 .....	2
6	1016269	Screw, Hex Washer Head Thread-Forming, 5/16-18 x 2 .....	2
7	334	Washer, Flat, 3/8 .....	4
8	1016183	Screw, Hex Head Cap, 3/8-16 x 7 .....	2
9	8754	Nut, Nylon Lock, 3/8-16 .....	2
10	1014288	Screw, Hex Washer Head Thread-Forming, 5/16-18 x 3/4 .....	1
11	1011697	Washer, Flat, 5/16 .....	1
12	102278001	Boot, Steering Column .....	1
13	1016181	Assembly, Steering Column (includes items 14 - 22) .....	1
14	1012605	Ring, Retaining .....	1
15	1012604	Washer, Steel, 5/8 .....	1
16	1014217	Spring, Compression .....	1
17	1014125	Wedge .....	2
18	1014213	Assembly, Bearing .....	2
19	1014126	Seat, Bearing .....	2
20	1015545	Shaft, Steering Column .....	1
21	1016622	Column, Aluminum Steering .....	1
22	1014214	Ring, Retaining .....	1
23	1016263	Cover, Steering Column .....	1
24	1016156	Wheel, Steering .....	1
25	1017273	Nut, Nylon Lock, 5/8-18 .....	1
26	1016219	Assembly, Scorecard Plate (includes items 27 - 30) .....	1
27	1012565	Screw, Round Head, #12-14 x 1 .....	2
28	1012566	Spring, Tapered Compression .....	2
29	1016214	Grip, Pencil .....	1
30	1016154	Clip, Scorecard .....	1
	1014216	Kit, Steering Column Rebuild (not shown) .....	A/R

5  
G  
E

**5  
G  
E**



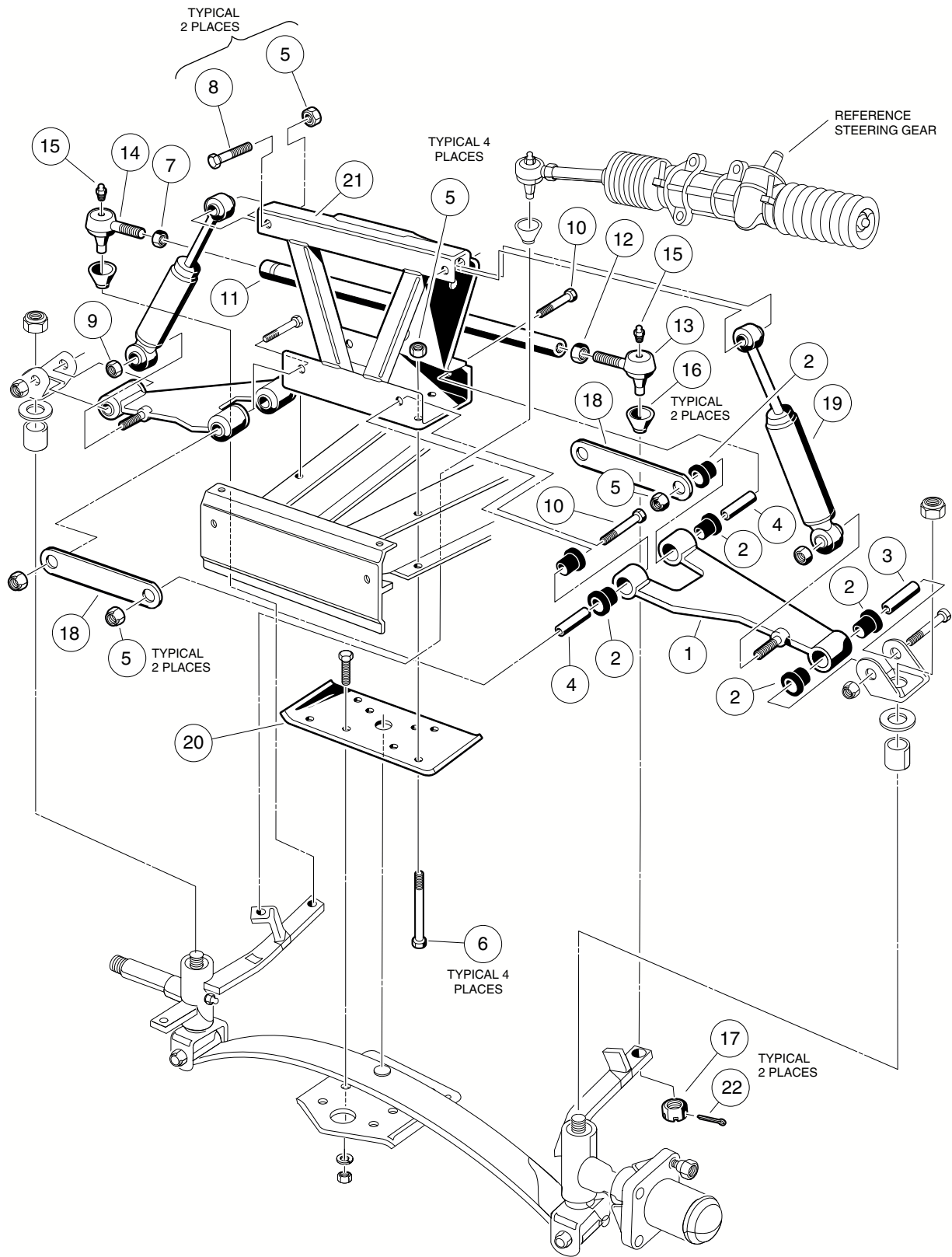


# STEERING GEAR ASSEMBLY

ITEM	PART NO.	DESCRIPTION	QTY
		1 2 3 4	
	101878302	Assembly, Steering Gear Box (includes items 1 - 20) .....	1
1	1013035	Seal, Dust, Passenger Side .....	1
2	8990	Tie, Wire .....	2
3	101880201	Assembly, Inner Ball Joint .....	1
4	101880301	Washer, Tab .....	1
5	N/A	Box, Steering Gear .....	1
6	N/A	Bearing, Lower Pinion .....	1
7	N/A	Pinion, Steering .....	1
8	101879401	Bearing, Upper Pinion .....	1
9	101879901	Ring, C-Type Stop .....	1
10	1013051	Ring, Snap .....	1
11	1013052	Seal, Dust, Steering Pinion .....	1
12	101879701	Guide, Steering Rack .....	1
13	101879801	Spring, Yoke .....	1
14	1013044	Nut, Lock, Rack Screw .....	1
15	N/A	Screw, Rack Guide .....	1
16	N/A	Rack, Steering .....	1
17	101879501	Washer, Stop .....	1
18	101879601	Ring, C-Type Stop .....	1
19	101880001	Seal, Dust, Driver Side .....	1
20	101880101	Ring, Retaining .....	1
21	1035	Pin, Cotter, 3/32 x 1 .....	1
22	7540	Ball Joint, Left-Hand Thread (includes items 23, 24 and 25) .....	1
23	1015597	Fitting, Thread-Forming Grease, 1/4-28 .....	1
24	7602	Nut, Hex Slotted, 3/8-24 .....	1
25	1011930	Boot, Dust .....	1
26	7555	Nut, Hex, Left-Hand Thread, 1/2-20 .....	1
27	1012467	Link, Rack and Pinion Drag .....	1
28	1013042	Nut, Hex, M12 x 1.75 .....	1
29	1624	Screw, Hex Head Cap, 3/8-16 x 1-1/2 .....	3
30	334	Washer, Flat, 3/8 .....	3
31	8754	Nut, Nylon Lock, 3/8-16 .....	3

5  
G  
E

**5**  
**G**  
**E**

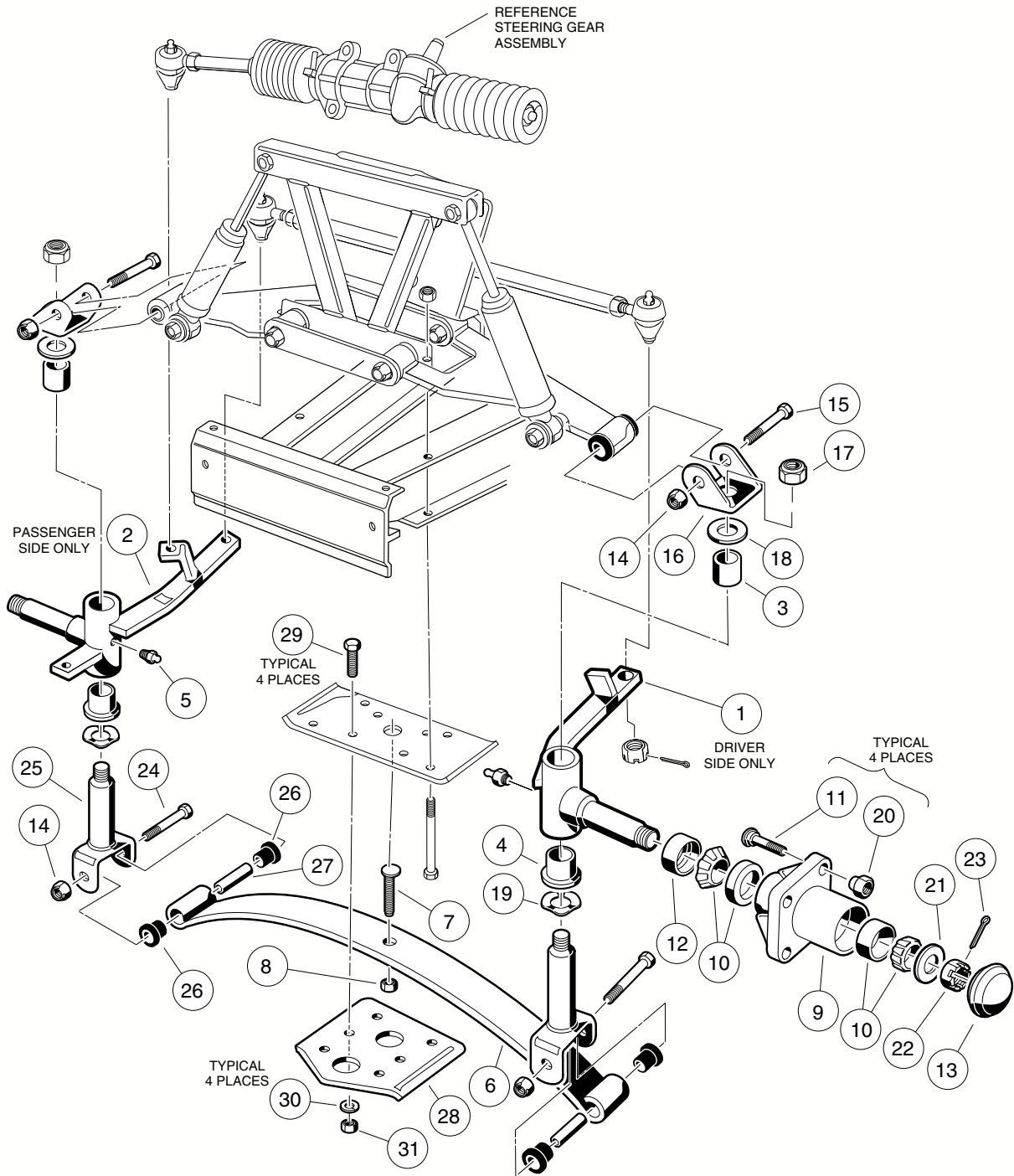


# FRONT SUSPENSION, UPPER

ITEM	PART NO.	DESCRIPTION	QTY
		1 2 3 4	
1	1016353	Assembly, Delta A-Plate (includes items 2, 3 and 4) .....	2
2	1016346	Bushing, Urethane .....	6
3	1016350	Sleeve, Delta Outer .....	1
4	1016349	Sleeve, Delta Inner .....	2
5	8754	Nut, Nylon Lock, 3/8-16 .....	10
6	1010200	Screw, Hex Head Cap, 3/8-16 x 4-1/4 .....	4
7	1308	Nut, Hex, 1/2-20 .....	1
8	8861	Screw, Hex Head Cap, 3/8-16 x 1-3/4 .....	2
9	1010138	Nut, Dimpled Lock, 3/8-16 .....	2
10	2402	Screw, Hex Head Cap, 3/8-16 x 2-1/4 .....	4
11	1010219	Rod, Tie .....	1
12	7555	Nut, Hex, Left-Hand Thread, 1/2-20 .....	1
13	7540	Ball Joint, Left-Hand Thread (includes items 15, 16 and 17) .....	1
14	7539	Ball Joint (includes items 15, 16 and 17) .....	1
15	1015597	Fitting, Thread-Forming Grease, 1/4-28 .....	1
16	1011930	Boot, Dust .....	1
17	7602	Nut, Slotted Hex, 3/8-24 .....	1
18	1017266	Strap, A-Plate .....	1
19	1014235	Shock Absorber, Front .....	2
20	1010124	Plate, Spring Mounting .....	3
21	1016385	Assembly, Delta Shock and Gear Support .....	1
22	1035	Pin, Cotter, 3/32 x 1 .....	3

5  
G  
E

**5**  
**G**  
**E**

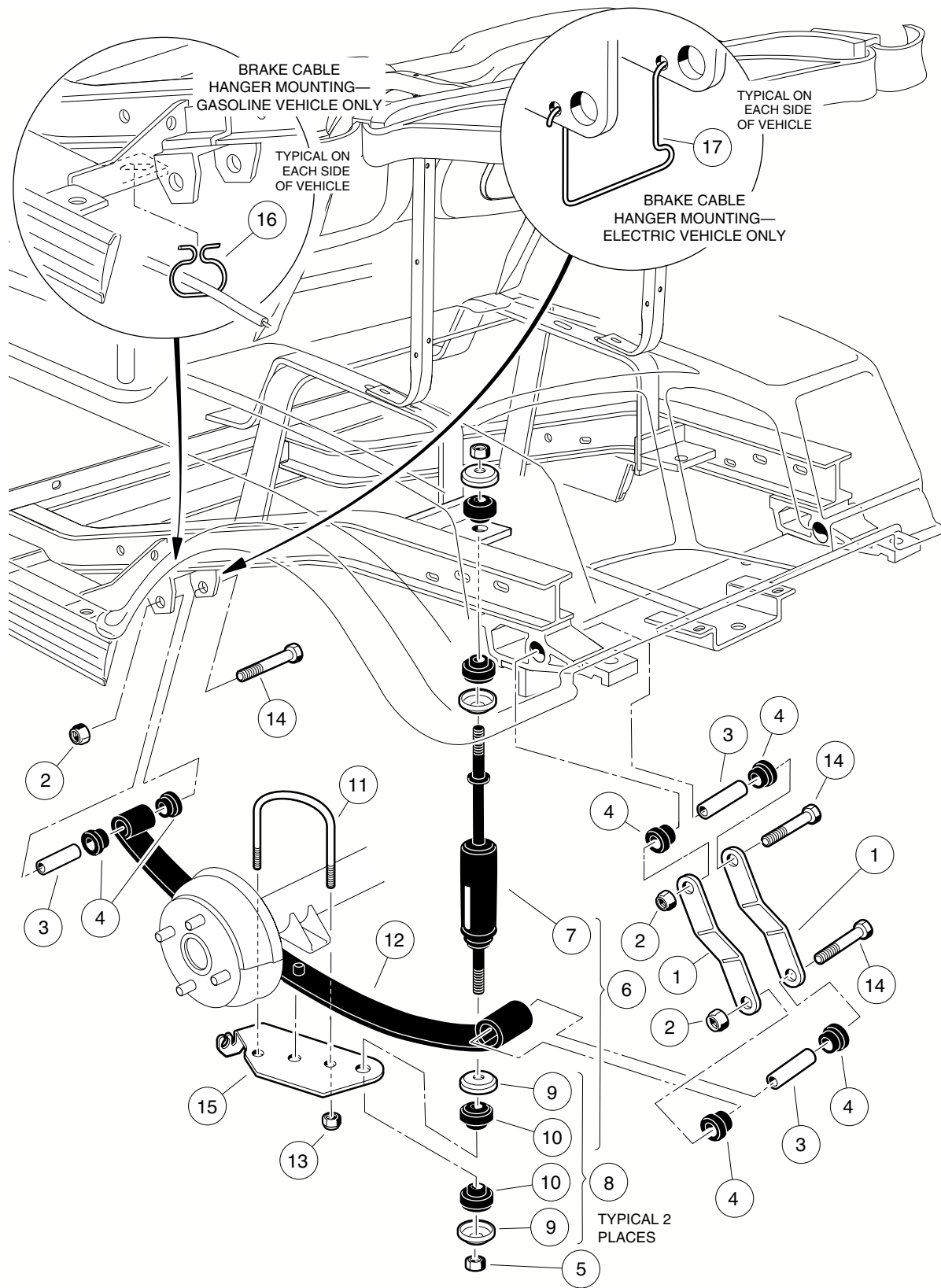


# FRONT SUSPENSION, LOWER

ITEM	PART NO.	DESCRIPTION	QTY
		1 2 3 4	
1	1010348	Assembly, Spindle, Driver Side (includes items 3, 4 and 5) .....	1
2	1010347	Assembly, Spindle, Passenger Side (includes items 3, 4 and 5) .....	1
3	8067	Bushing, Bronze Spindle .....	1
4	7048	Bushing, Bronze .....	1
5	1015597	Fitting, Grease, 1/4-28 .....	1
6	1012030	Spring, Tapered Leaf .....	1
7	8745	Assembly, Eccentric .....	1
8	706	Nut, Hex, 3/8-16 .....	1
9	1011892	Assembly, Hub (includes items 10 - 13) .....	2
10	1011393	Package, Hub Bearing .....	2
11	1011304	Stud, Lug, 1/2-20 .....	4
12	1013135	Seal, Double Lip .....	1
13	1011887	Cover, Dust .....	1
14	8754	Nut, Nylon Lock, 3/8-16 .....	4
15	1016387	Screw, Hex Head Cap, 3/8-16 x 2-3/4 .....	2
16	1016384	Clevis, Upper Delta .....	2
17	101903101	Nut, Nylon Lock, 1/2-20 .....	2
18	1010150	Bearing, Thrust .....	2
19	1016389	Washer, Kingpin Wave .....	2
20	1010984	Nut, Lug .....	8
21	1010005	Washer, Flat, 3/4 .....	2
22	7840	Nut, Hex Slotted, 3/4-16 .....	2
23	7910	Pin, Cotter, 5/32 x 1 .....	2
24	8755	Screw, Hex Head Cap, 3/8 - 16 x 3-3/8 .....	2
25	1016386	Kingpin .....	2
26	1015583	Bushing, Urethane .....	4
27	1012303	Bushing, Steel .....	2
28	1014276	Plate, Front Spring Retainer .....	1
29	1624	Screw, Hex Head Cap, 3/8-16 x 1-1/2 .....	4
30	357	Washer, Lock, 3/8 .....	4
31	706	Nut, Hex, 3/8-16 .....	4

**5**  
**G**  
**E**

**5  
G  
E**



# REAR SUSPENSION

ITEM	PART NO.	DESCRIPTION	QTY GAS	QTY ELEC
		1 2 3 4		
1	1012304	Shackle, Rear Spring (gasoline vehicle) .....	4	
1	7569	Shackle, Rear Spring (electric vehicle) (not shown) .....		4
2	8754	Nut, Nylon Lock, 3/8-16 .....	6	6
3	1012303	Bushing, Steel .....	6	6
4	1015583	Bushing, Urethane .....	12	12
5	1010145	Nut, UNF Hex, 3/8-24 .....	4	4
6	1013164	Kit, Shock Absorber (includes items 7, 9, and 10) .....	1	1
7	1014236	Shock Absorber, Rear .....	2	2
8	1011415	Kit, Shock Absorber Cushion (includes 2 each of items 9 and 10) .....	4	4
9	N/A	Retainer, Shock Absorber Cushion .....	8	8
10	N/A	Cushion, Shock Absorber .....	8	8
11	1012180	U-Bolt .....	2	2
12	1012324	Spring, Rear Leaf (gasoline vehicle) .....	2	
12	1010974	Spring, Rear Leaf (electric vehicle) .....		2
13	1014555	Nut, Nylon Lock, 7/16-24 .....	4	4
14	8755	Screw, Hex Head Cap, 3/8-16 x 3-3/8 .....	6	6
15	1012182	Pad, Spring, Driver Side .....	1	1
15	1012181	Pad, Spring, Passenger Side .....	1	1
16	101900801	Hanger, Brake Cable (gasoline vehicle) .....	2	
17	1013207	Hanger, Brake Cable (electric vehicle) .....		2

5  
G  
E

**5**

**G**

**E**

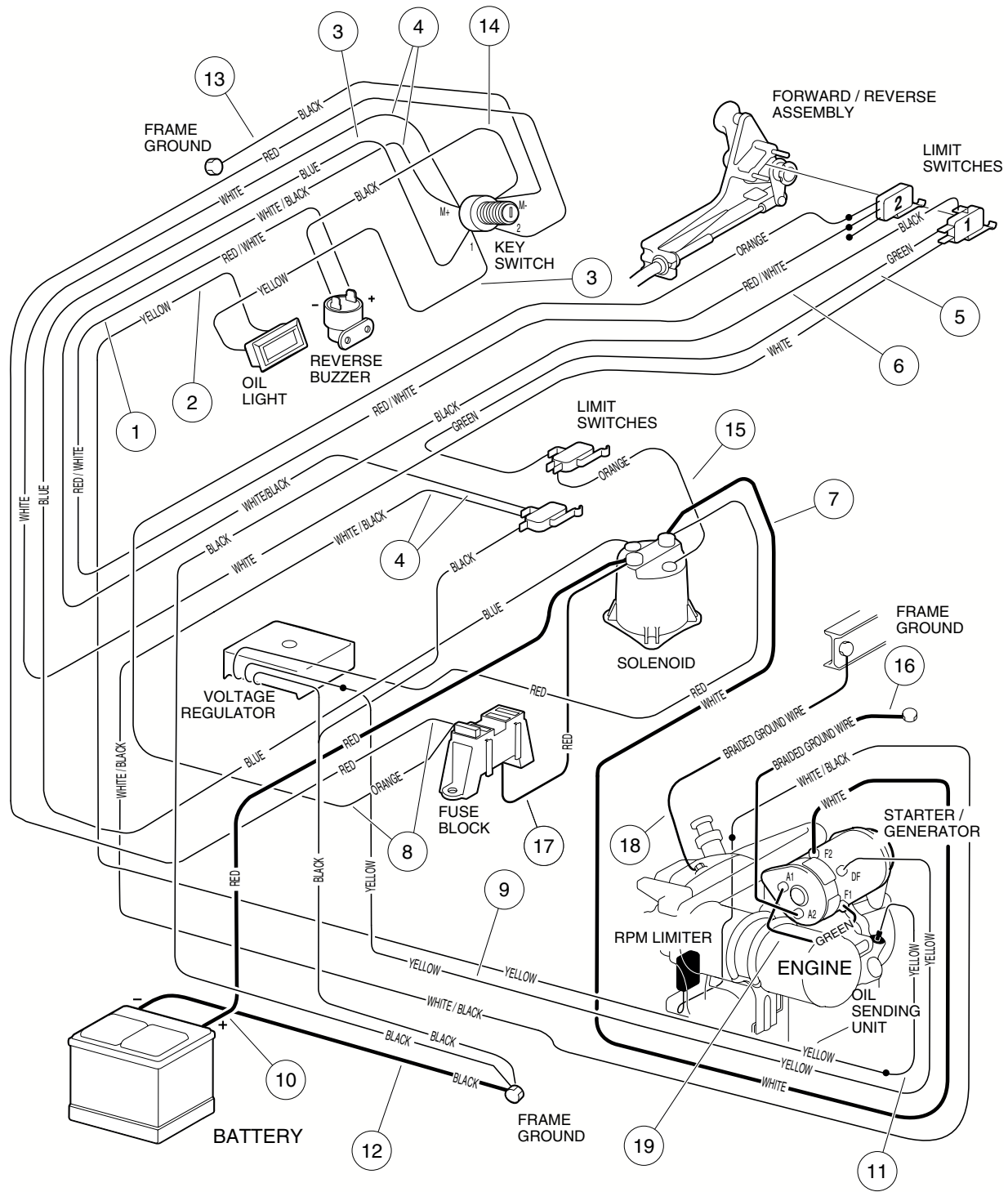


# **ELECTRICAL SYSTEM – GASOLINE VEHICLE**

---

**6**

**G**

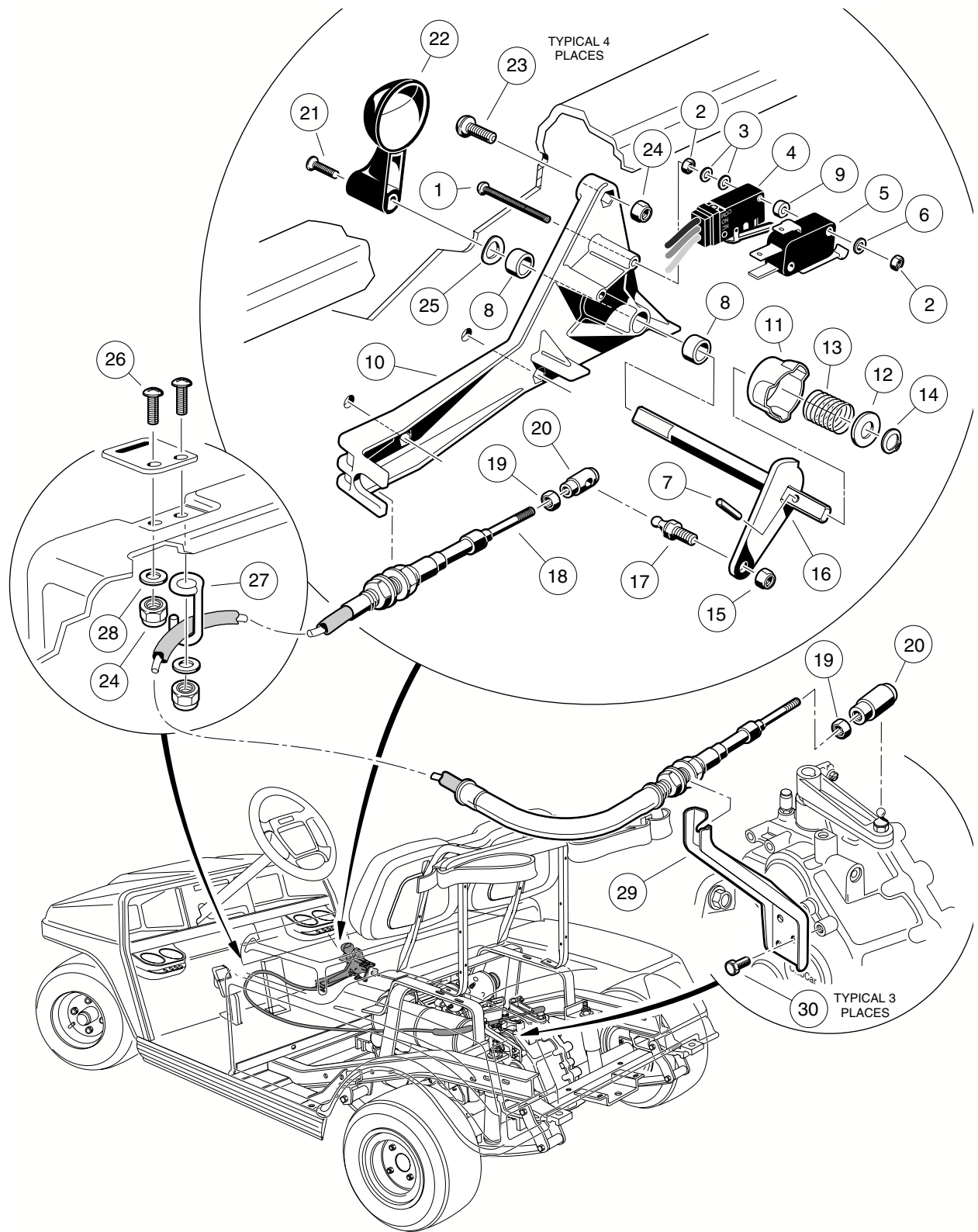


# WIRING – GASOLINE VEHICLE

ITEM	PART NO.	DESCRIPTION	QTY
		1 2 3 4	
	101889302	Wire Harness (includes items 1 - 11) .....	1
1	N/A	Wire Assembly, #18 Red/White .....	1
2	N/A	Wire Assembly, #18 Yellow .....	1
3	N/A	Wire Assembly, #18 Yellow and #16 Blue .....	1
4	N/A	Wire Assembly, #18 White/Black and #18 White .....	1
5	N/A	Wire Assembly, #18 Green .....	1
6	N/A	Wire Assembly, #18 Black .....	1
7	1015769	Wire Assembly, #6 White .....	1
8	N/A	Wire Assembly, #16 Red and #16 Orange .....	1
9	N/A	Wire Assembly, #16 Yellow .....	1
10	1014119	Wire Assembly, #6 Red .....	1
11	N/A	Wire Assembly, #18 Yellow .....	1
12	1012382	Wire Assembly, #6 Black .....	1
13	N/A	Wire Assembly, #18 Black .....	1
14	N/A	Wire Assembly, #18 Black (part of reverse buzzer kit) .....	1
15	N/A	Wire Assembly, #16 Orange (part of the electrical component box) .....	1
16	1015920	Wire Assembly, #6 Braided Ground .....	1
17	1015737	Wire Assembly, #10 Red (part of the electrical component box) .....	1
18	1015332	Wire Assembly, #10 Braided Ground .....	1
19	101837301	Wire Assembly, #6 Green .....	1

6

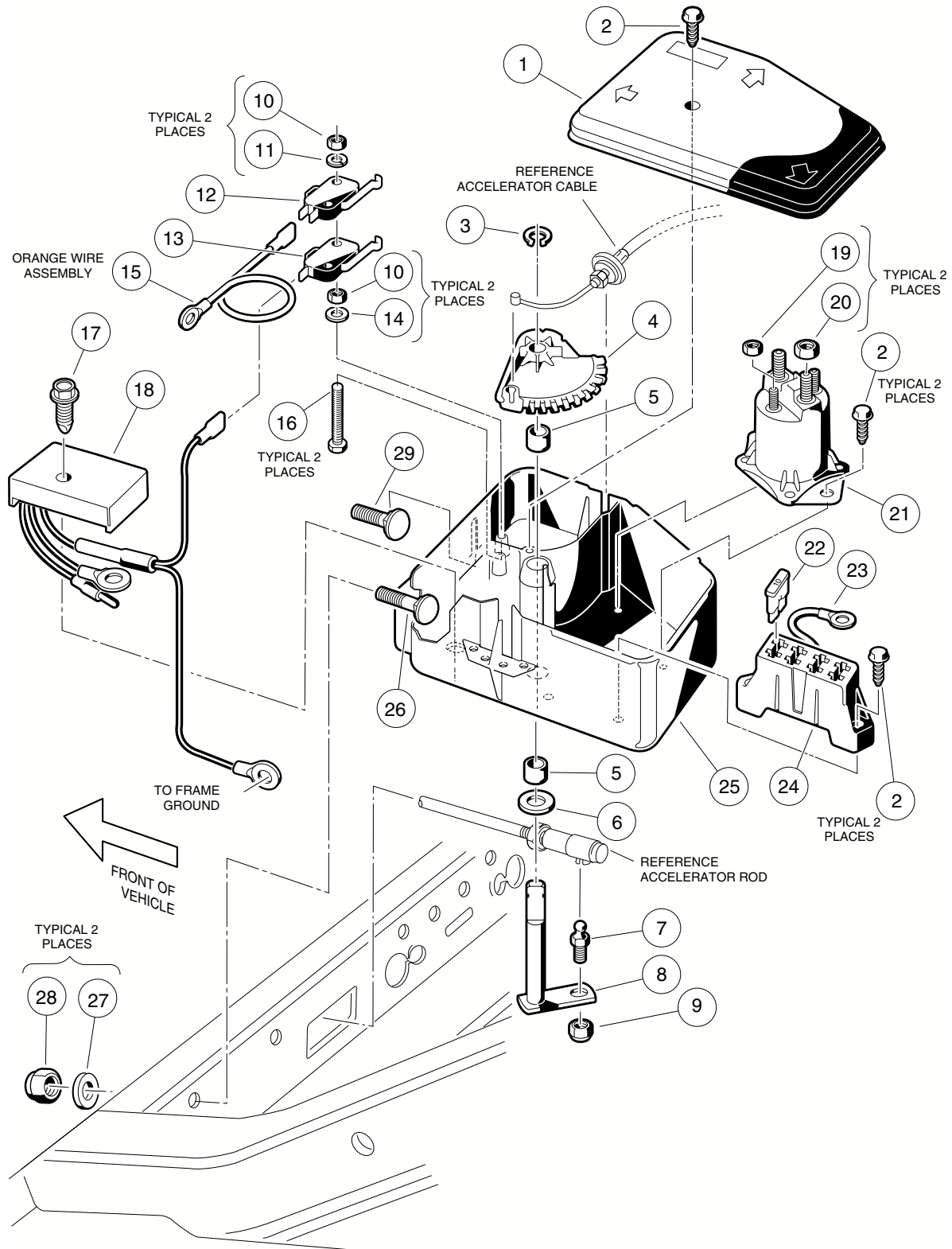
G



# FORWARD/REVERSE SHIFTER ASSEMBLY – GASOLINE VEHICLE

ITEM	PART NO.	DESCRIPTION	QTY
		1 2 3 4	
	1016947	Assembly, Forward/Reverse Shifter (includes items 1 - 17) .....	1
1	1012594	Screw, Machine, #4-40 x 1-1/2 .....	2
2	8057	Nut, Hex Head, #4-40 .....	4
3	1012431	Washer, Flat, #4 .....	4
4	101979101	Switch, Limit .....	1
5	1014807	Switch, Limit .....	1
6	8058	Washer, Lock, #4 .....	2
7	1013591	Pin, Roll, 1/8 .....	1
8	1014145	Bushing, Bronze .....	2
9	1014727	Washer, Nylon Flat, #4 .....	2
10	1016342	Base, Forward/Reverse Shifter .....	1
11	1014089	Kit, Neutral Lockout Cam (includes item 12) .....	1
12	1014065	Washer, Flat .....	1
13	1013590	Spring, Forward/Reverse Cam .....	1
14	1013589	Ring, Retaining .....	1
15	8717	Nut, Nylon Lock, 1/4-28 .....	1
16	1013587	Weldment, Forward/Reverse Bell Crank .....	1
17	1010954	Stud, Ball, 1/4-28 x 1/4 .....	1
18	101951501	Cable, Transmission (includes items 19 and 20) .....	1
19	7893	Nut, Hex, #10-32 .....	2
20	1012333	Joint, Ball .....	2
21	1013198	Screw, Phillips Oval Countersunk Machine, #8-32 x 5/8 .....	1
22	1012987	Handle, Forward/Reverse Switch .....	1
23	8248	Screw, Phillips Truss Head, 1/4-20 x 3/4 .....	4
24	8233	Nut, Nylon Lock, 1/4-20 .....	8
25	1016201	Washer, Wave, 3/8 .....	1
26	8251	Screw, Phillips Head, 1/4-20 x 1 .....	4
27	101855801	Retainer, Cable .....	1
28	332	Washer, Flat, 1/4 .....	4
29	101922601	Bracket, Transmission Cable Support .....	1
30	1012285	Screw, Thread Rolling, 1/4-20 x 5/8 .....	3

**6**  
**G**

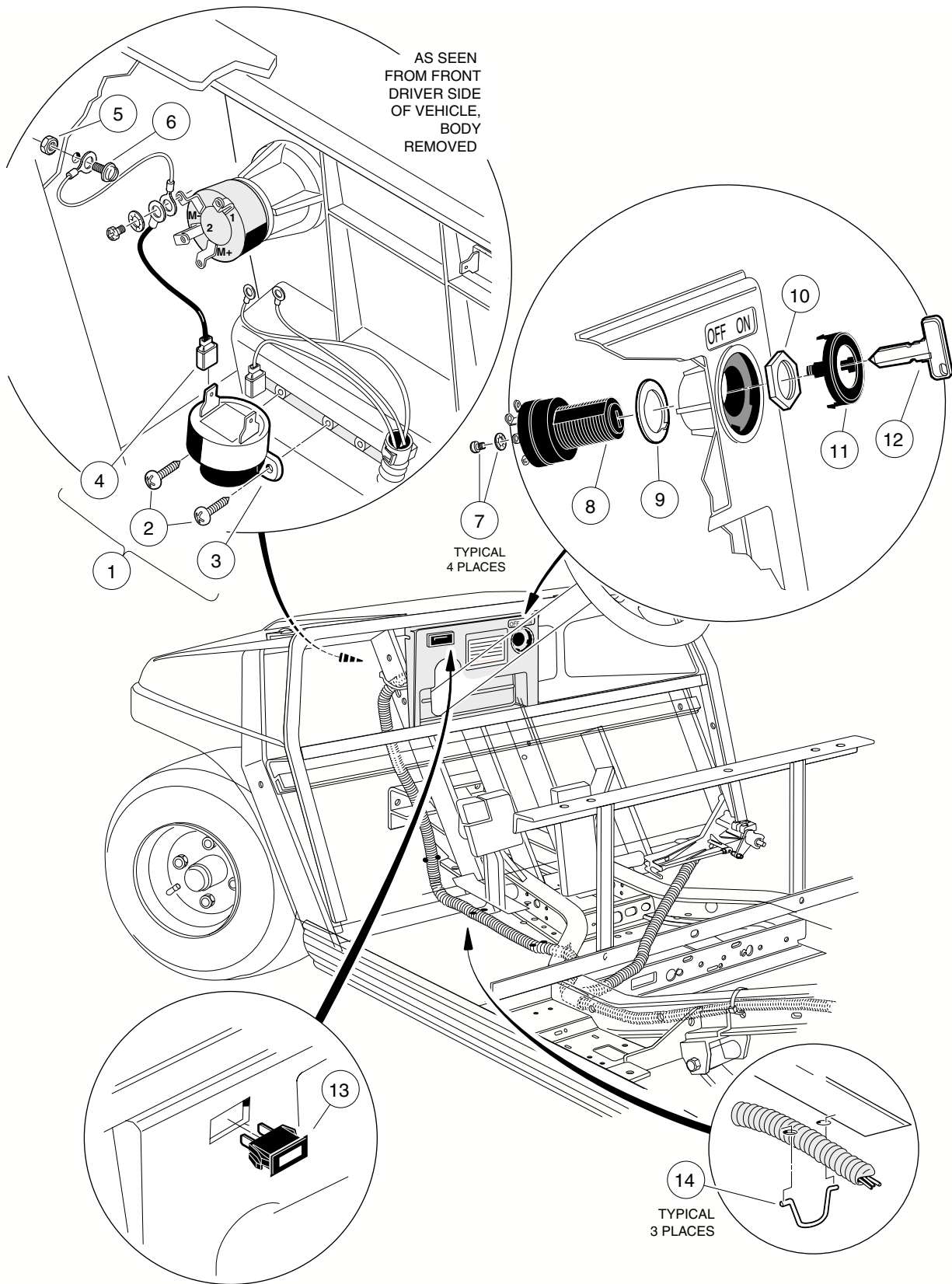


# ELECTRICAL COMPONENT BOX – GASOLINE VEHICLE

ITEM	PART NO.	DESCRIPTION	QTY
		1 2 3 4	
	101992601	Box, Electrical Component, Complete (includes items 1 - 25) .....	1
1	1015372	Cover, Electrical Component Box .....	1
2	1015752	Screw, Hi-Lo, #12-16 x 5/8 .....	5
3	1013589	Ring, Retaining .....	1
4	1015373	Cam, Electrical Box .....	1
5	1014145	Bushing, Bronze .....	2
6	1014065	Washer, Flat .....	1
7	1010954	Stud, Ball, 1/4-28 .....	1
8	101821301	Assembly, Bell Crank and Shaft .....	1
9	8717	Nut, Nylon Lock, 1/4-28 .....	1
10	8057	Nut, Hex, #4-40 .....	4
11	8058	Washer, Lock, #4 .....	2
12	1014807	Switch, Limit .....	1
13	1014808	Switch, Limit .....	1
14	1012431	Washer, Flat, #4 .....	2
15	N/A	Wire Assembly, #16 Orange .....	1
16	1015878	Screw, Hex Head Machine, #4-40 x 1-5/8 .....	2
17	101856102	Screw, Hex Washer Head Hi-Lo, 1/4-15 x 1-1/2 .....	1
18	1015777	Assembly, Voltage Regulator .....	1
19	7893	Nut, Hex, #10-32 .....	2
20	1242	Nut, Hex, 5/16-18 .....	2
21	1013609	Solenoid, 12-Volt .....	1
22	1012295	Fuse, 10-Amp .....	1
23	1015737	Wire Assembly, #10 Red .....	1
24	1015741	Block, Fuse .....	1
25	1015371	Box, Electrical Component .....	1
26	1015405	Screw, Round-Head Square-Neck, 5/16-18 x 2 .....	1
27	1241	Washer, Flat, 5/16 .....	2
28	7473	Nut, Nylon Lock, 5/16-18 .....	2
29	7818	Screw, Round-Head Square-Neck, 5/16-18 x 1-1/2 .....	1

6

G

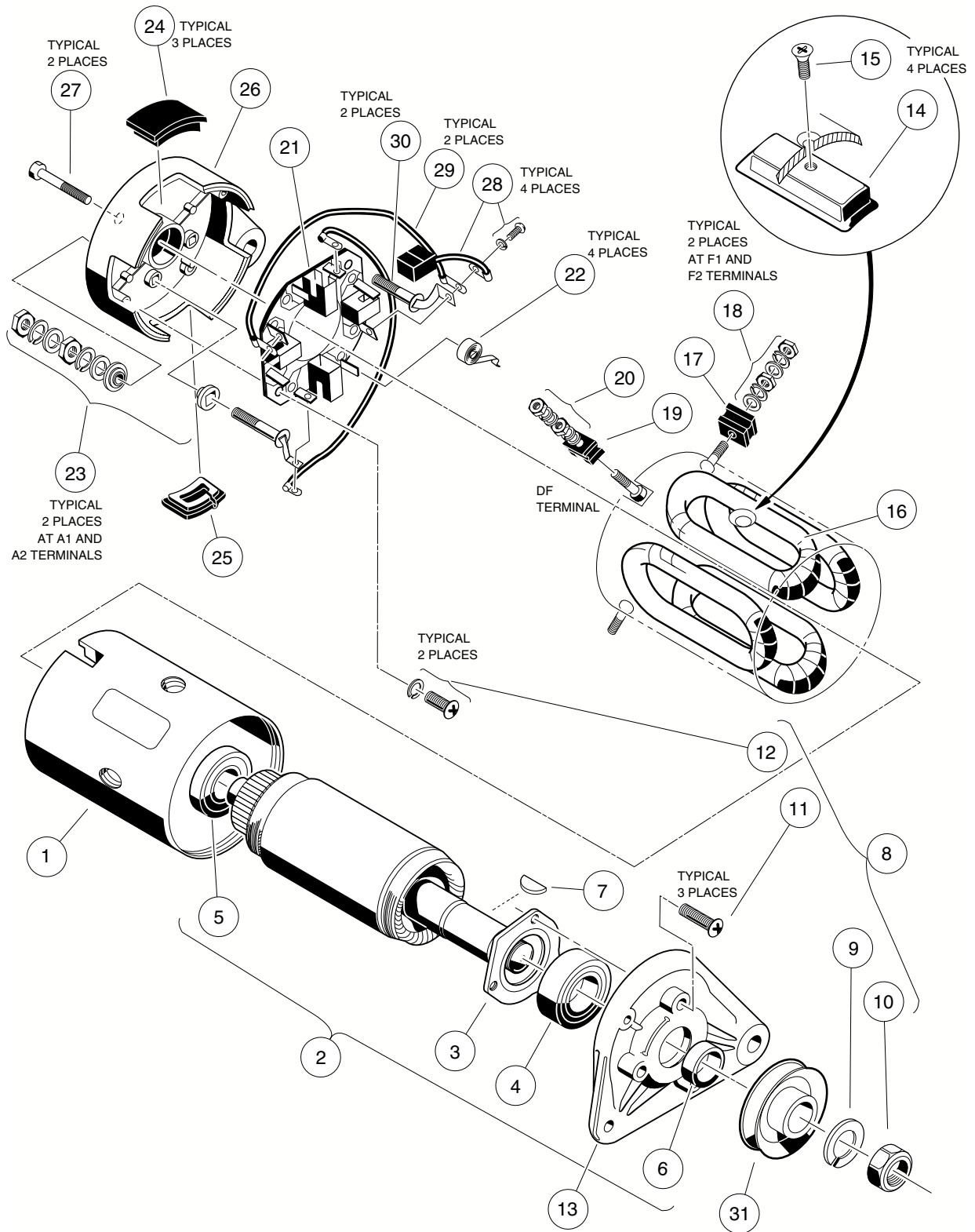




# ELECTRICAL COMPONENTS, FRONT BODY – GASOLINE VEHICLE

ITEM	PART NO.	DESCRIPTION	QTY
		1 2 3 4	
1	1016859	Kit, Reverse Buzzer (includes items 2, 3 and 4) .....	1
2	1016849	Screw, Pan Head Hi-Lo, #4-24 x 5/16 .....	2
3	1016851	Buzzer, Reverse .....	1
4	N/A	Wire Assembly, #18 Black .....	1
5	1011229	Nut, K Lock, #6-32 .....	1
6	1015720	Screw, Hex Washer Head, #6-32 x 1/2 .....	1
7	101830601	Assembly, Screw and Washer .....	4
8	101826301	Switch, Key .....	1
9	101851101	Washer .....	1
10	101830701	Nut, Key Switch .....	1
11	101834502	Cap, Key Switch (black) .....	1
12	1012505	Key (pair) .....	1
13	1016630	Light, Oil Warning .....	1
14	101900901	Retainer, Harness .....	3

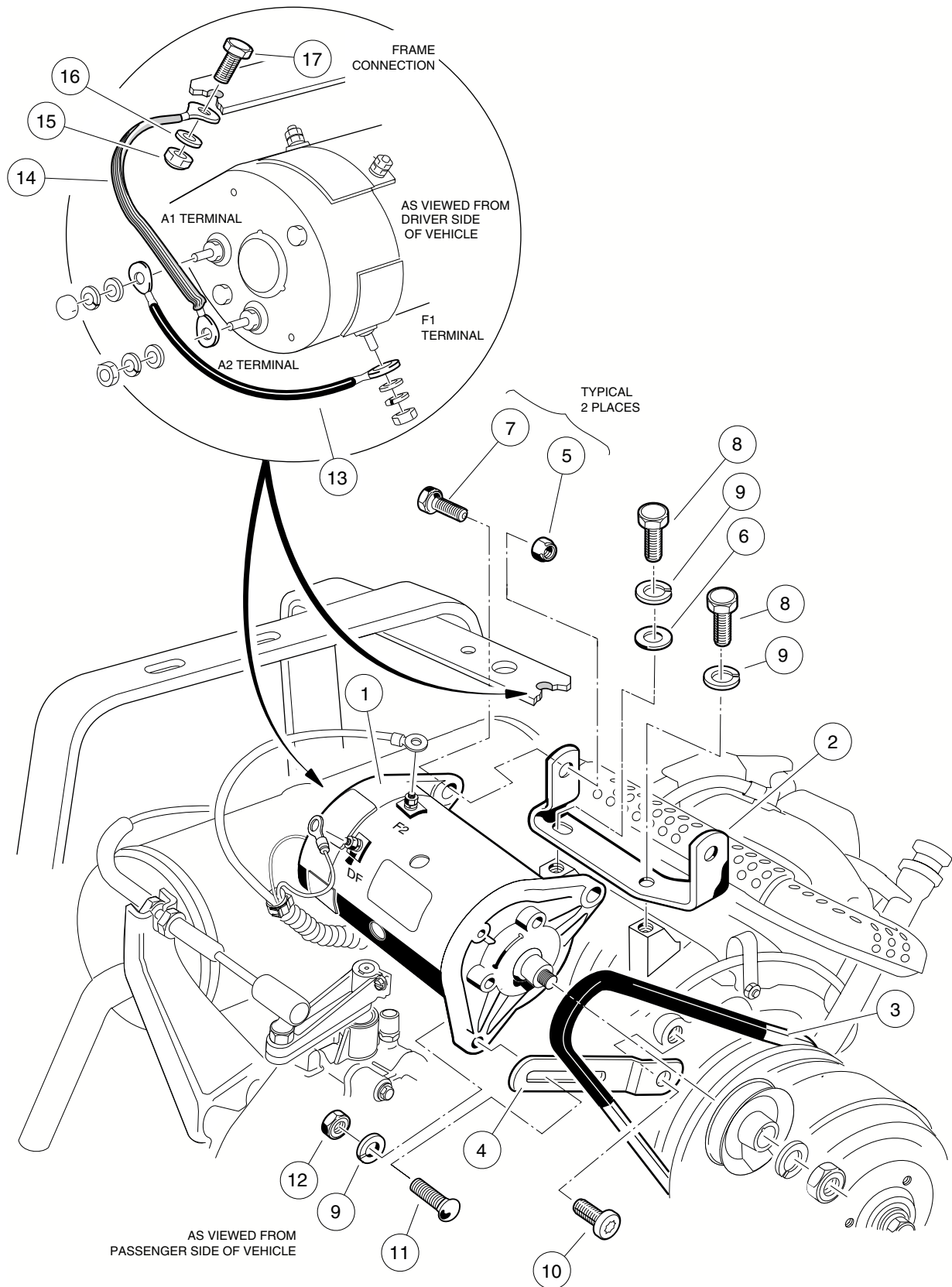
**6**  
**G**



# STARTER/GENERATOR ASSEMBLY

ITEM	PART NO.	DESCRIPTION	QTY
		1 2 3 4	
	101833701	Starter/Generator (clockwise rotation) (includes items 1 - 30) .....	1
1	101875201	Housing, Field Coil .....	1
2	101875101	Assembly, Armature (includes items 3 - 6) .....	1
3	101875001	Retainer, Bearing .....	1
4	1013001	Ball Bearing, Output Shaft .....	1
5	1013005	Commutator, Ball Bearing .....	1
6	101939901	Spacer, 5/16 .....	1
7	1013003	Key, Woodruff .....	1
8	101876501	Kit, Pulley Nut and Screw (includes items 9 - 12) .....	1
9	N/A	Washer, Lock, M14 .....	1
10	N/A	Nut, Hex, M14 x 2 .....	1
11	N/A	Screw, Cross-Recessed, M5 x .8 x 18 mm .....	3
12	101896501	Screw, Cross-Recessed, M5 x .8 x 16 mm (with lock washer) .....	2
13	101874901	End Bell, Output Shaft .....	1
14	101875301	Set, Pole (set of 4) .....	1
15	101875401	Screw, Pole Piece (set of 4) .....	1
16	101875501	Coil, Field .....	1
17	101875601	Insulator, F Terminal .....	2
18	101877601	Package, Terminal Hardware (F1 and F2) .....	2
19	101875701	Insulator, DF Terminal .....	1
20	101877701	Package, Terminal Hardware (DF) .....	1
21	101301102	Holder, Brush (includes item 22) .....	1
22	101878101	Spring, Brush .....	4
23	101876001	Package, Terminal Hardware (A1 and A2) .....	2
24	101876301	Cover, Brush Inspection Port (Set of 4) (includes item 25) .....	1
25	1017653	Cover, Brush Inspection Port, with Drain .....	1
26	101876402	End Bell, Commutator .....	1
27	101879001	Bolt, Clamp, M6 x 1 x 180 mm .....	2
28	101869302	Package, Brush (includes 4 brushes, 4 screws, 4 washers) .....	1
29	101876202	Connector, Brush .....	2
30	101875802	A Connector (set of 2) .....	1
31	1014289	Pulley .....	1

6  
G

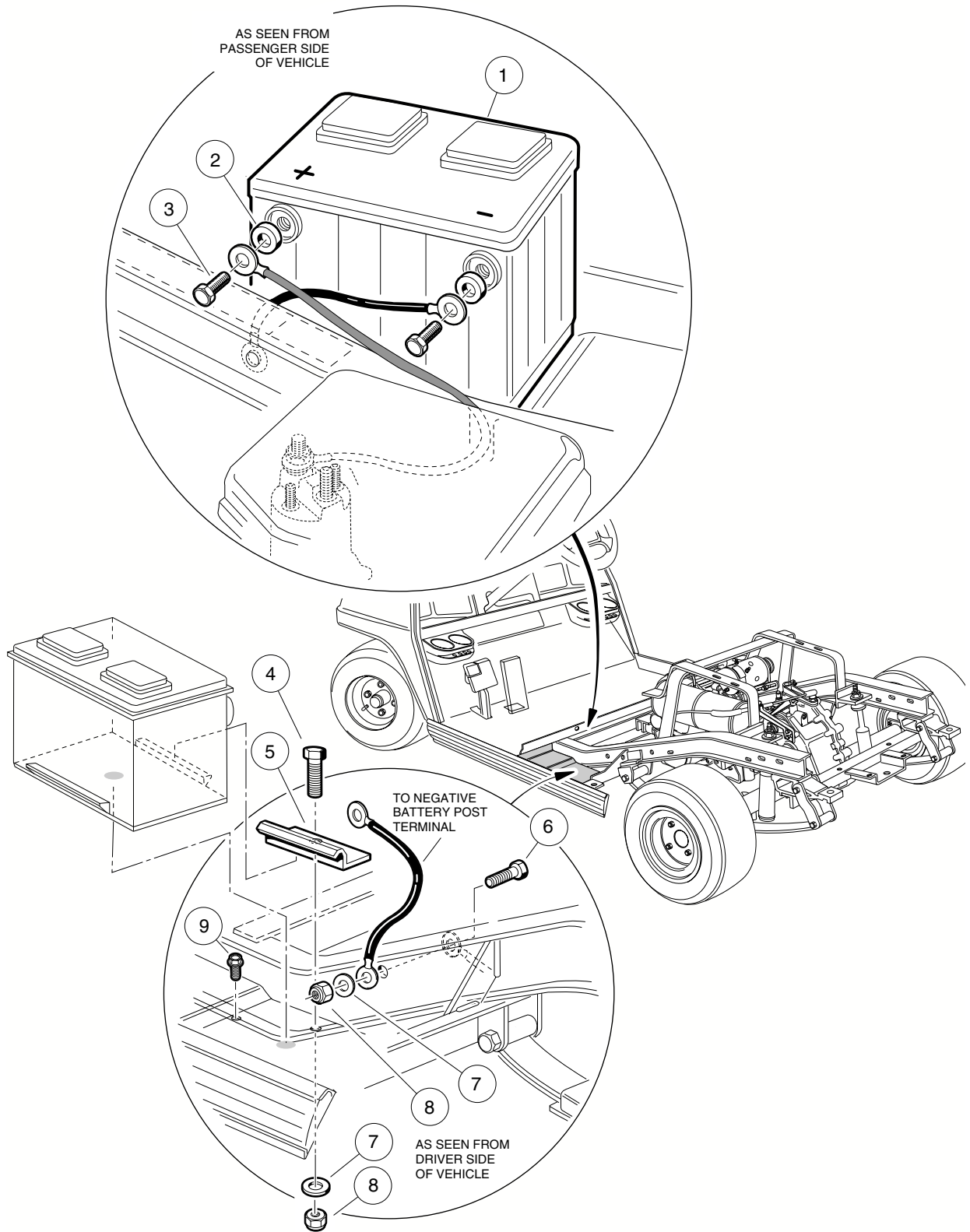


# STARTER/GENERATOR MOUNTING

ITEM	PART NO.	DESCRIPTION	QTY
		1 2 3 4	
1	101833701	Starter/Generator (clockwise rotation) .....	1
2	101524001	Bracket, Mounting, FE290 .....	1
3	101916701	Belt, Starter/Generator .....	1
4	1016883	Bracket, Adjusting .....	1
5	8754	Nut, Nylon Lock, 3/8-16 .....	2
6	1015075	Washer, Flat, 5/16 .....	1
7	705	Screw, Hex Head Cap, 3/8-16 x 1-1/4 .....	2
8	1012830	Screw, Hex Head Cap, M8 x 1.25 x 22 mm .....	2
9	7174	Washer, Lock, 5/16 .....	3
10	1016074	Screw, Torx Head, M8 x 1.25 x 18 mm .....	1
11	1015932	Screw, Round-Head Square-Neck, 5/16-18 x 1 .....	1
12	1242	Nut, Hex, 5/16-18 .....	1
13	101837301	Wire Assembly, #6 Green .....	1
14	1015920	Wire Assembly, #6 Braided Ground .....	1
15	7473	Nut, Nylon Lock, 5/16-18 .....	1
16	1241	Washer, Flat, 5/16 .....	1
17	7173	Screw, Hex Head Cap, 5/16-18 x 3/4 .....	1

**6**  
**G**

**6**  
**G**



# BATTERY – GASOLINE VEHICLE

ITEM	PART NO.	DESCRIPTION	QTY
		1 2 3 4	
1	1012328	Battery, 12-Volt .....	1
2	1014374	Spacer, Battery Terminal Bolt .....	2
3	1014375	Screw, Hex Head Cap, Stainless Steel, 3/8-16 x 1/2 .....	2
4	1010934	Screw, Hex Head Cap, 5/16-18 x 1 .....	1
5	101898001	Clamp, Battery .....	1
6	7173	Screw, Hex Head Cap, 5/16-18 x 3/4 .....	1
7	1241	Washer, Flat, 5/16 .....	2
8	7473	Nut, Nylon Lock, 5/16-18 .....	2
9	1014288	Screw, Thread-Forming, 5/16-18 x 3/4 .....	1

6  
G

**6**

**G**

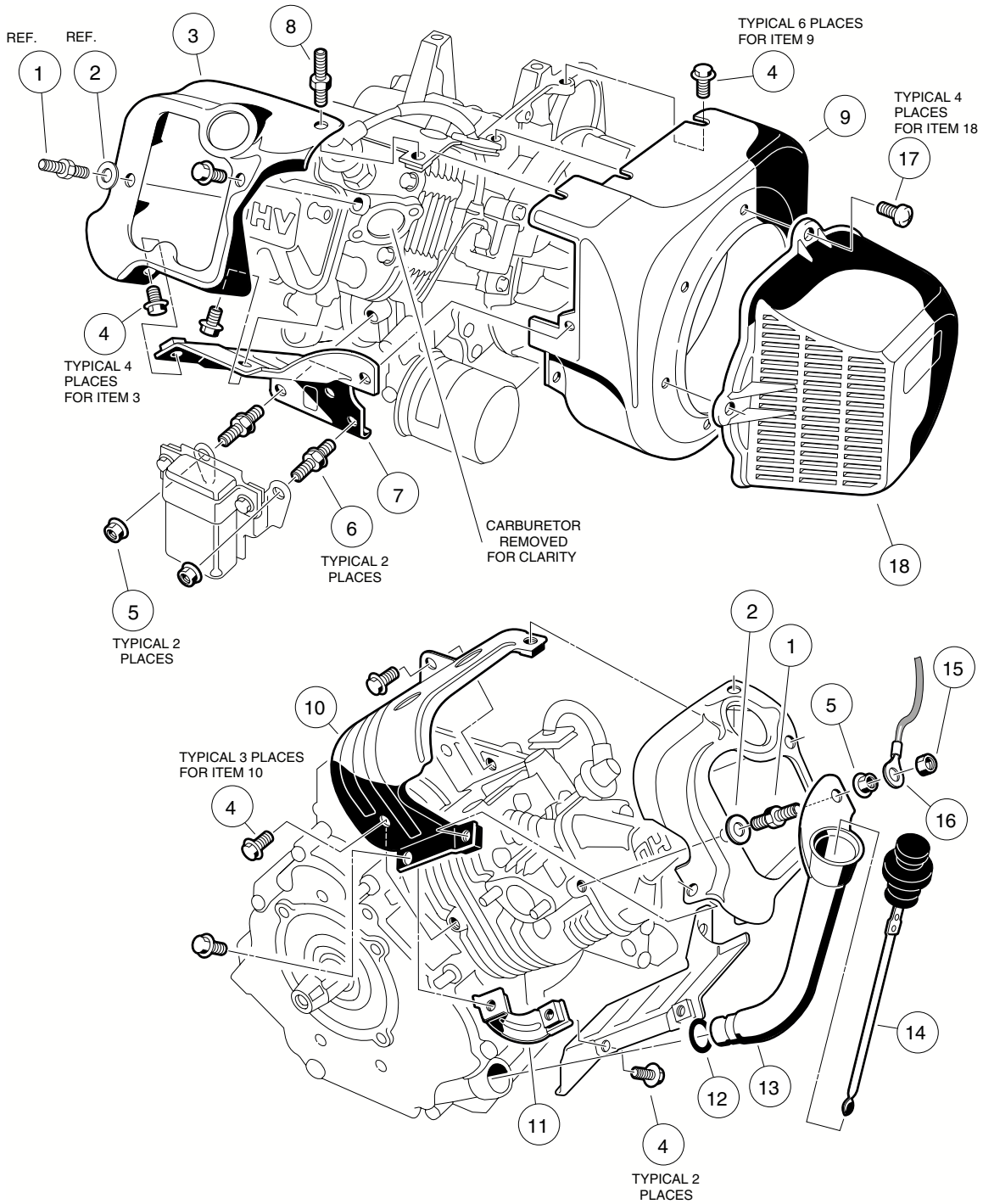


# FE290 ENGINE

---

7

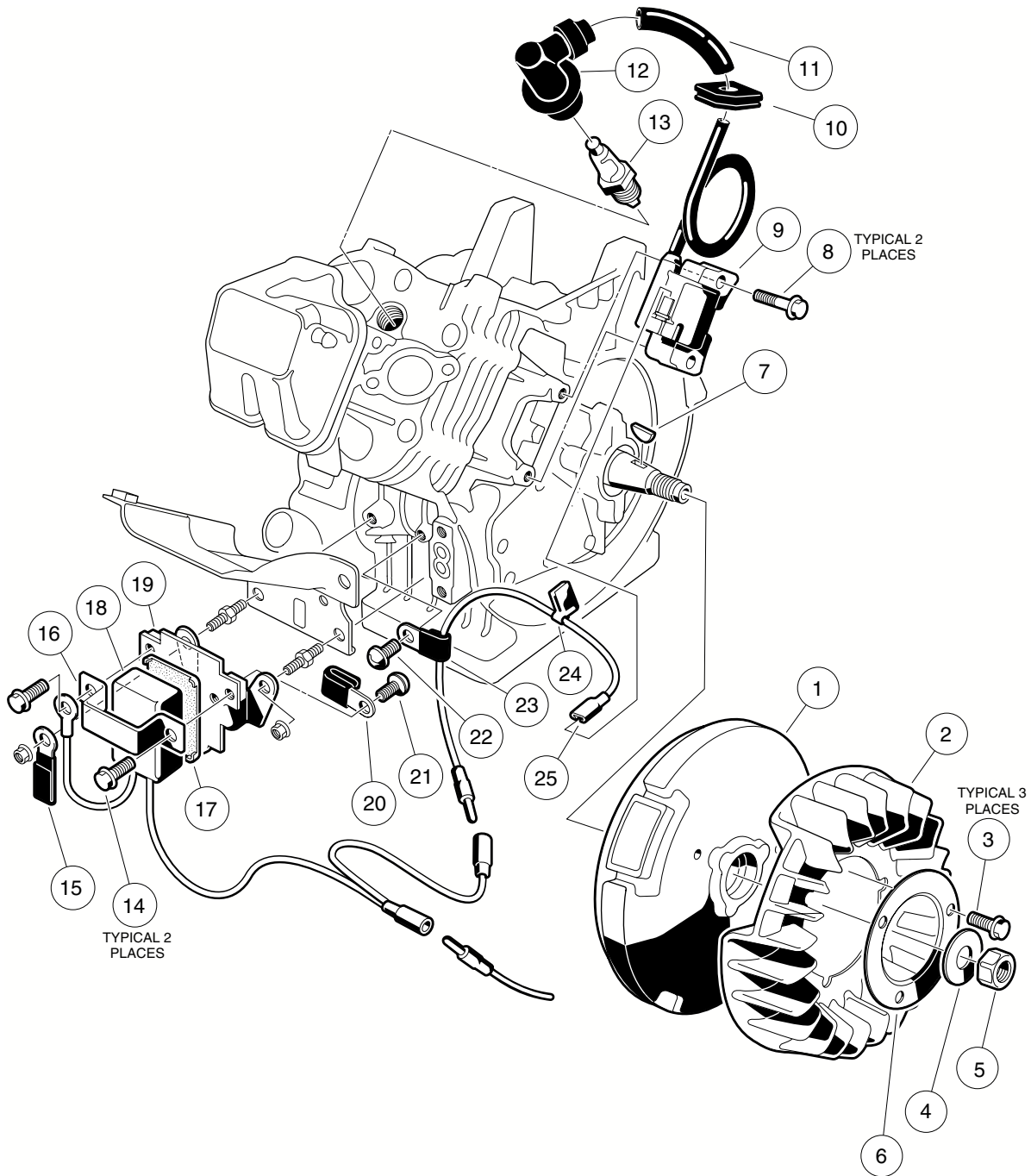
G



# FE290 ENGINE – SHROUDS AND BRACKETS

ITEM	PART NO.	DESCRIPTION	QTY
		1 2 3 4	
	101953901	FE290 OHV Gasoline Engine (clockwise rotation) with Carburetor (does not include items 15 through 18) .....	1
1	1016507	Bolt, 2-Ended, M6 x 1 x 29 mm .....	1
2	1016512	Washer, Flat, 6 mm .....	1
3	1016524	Shroud, Engine, FE290 .....	1
4	1016456	Bolt, Flanged, M6 x 1 x 12 mm .....	15
5	1016547	Nut, Flange, M6 x 1 .....	3
6	101909701	Bolt, 2-Ended, M6 x 1 x 27 mm .....	2
7	1016526	Shroud, Engine, FE290 (lower) .....	1
8	1017221	Bolt, 2-Ended, M6 x 1 x 46 mm .....	1
9	101915601	Housing, Fan .....	1
10	1016525	Shroud, Engine, FE290 (Upper) .....	1
11	1016443	Bracket .....	1
12	1016539	O-Ring .....	1
13	1016536	Tube, Oil Filler, FE290 .....	1
14	1016531	Dipstick .....	1
15	101887601	Nut, Nylon Lock, M6 x 1 .....	1
16	1015332	Wire Assembly, #10 Braided Ground .....	1
17	1015969	Screw, Pan Head, M6 x 1 x 14 mm .....	4
18	1015649	Shroud, Fan .....	1

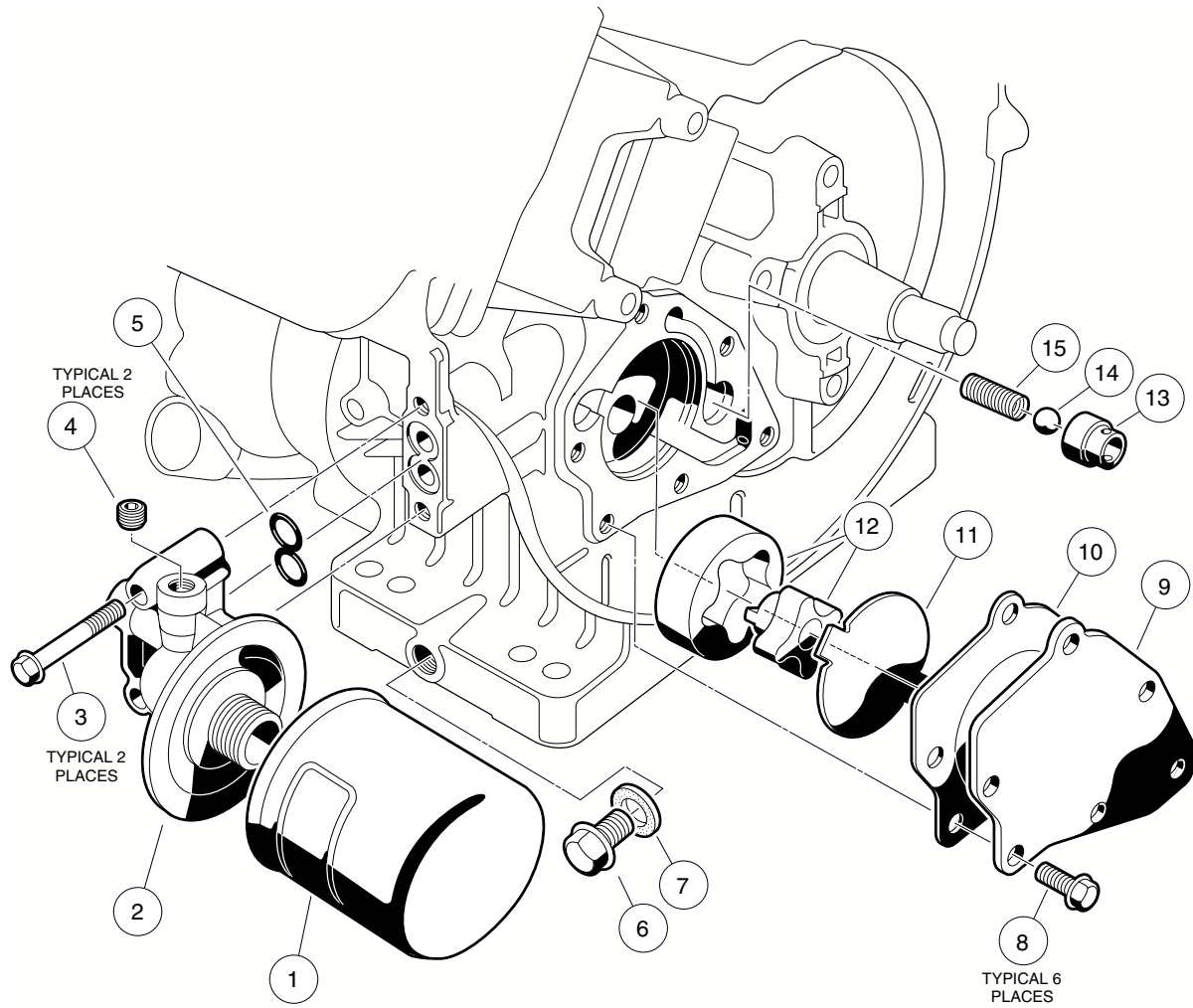
**7**  
**G**



# FE290 ENGINE – IGNITION COMPONENTS AND FLYWHEEL

ITEM	PART NO.	DESCRIPTION	QTY
		1 2 3 4	
1	101915701	Flywheel .....	1
2	101915801	Fan, Flywheel, Gray .....	1
3	1017448	Screw, Flanged Hex Head, M6 x 1 x 10 mm .....	3
4	1016548	Washer, Flat, 16 mm .....	1
5	1016505	Nut, Hex, M16 x 1.5 .....	1
6	1017455	Plate, Flywheel Fan .....	1
7	1016562	Key .....	1
8	1016455	Bolt, Flanged, M5 x.8 x 25 mm .....	2
9	101909201	Coil, Ignition (with internal igniter) .....	1
10	1016578	Grommet .....	1
11	1016588	Tube, 7 mm x 70 mm .....	1
12	1016493	Assembly, Plug Cap .....	1
13	101881101	Plug, Spark, OHV .....	1
14	1016456	Bolt, Flanged, M6 x 1 x 12 mm .....	2
15	1012981	Clamp .....	1
16	1016579	Band, RPM Limiter Mount .....	1
17	1016586	Damper, RPM Limiter .....	1
18	101909401	Limiter, RPM, OHV .....	1
19	1016445	Bracket, RPM Limiter .....	1
20	101909501	Clamp .....	1
21	1016497	Screw, Cross Pan Head, M5 x.8 x 8 mm .....	1
22	1016544	Screw, Cross Pan Head Self-Tapping, M5 x.8 x 12 mm .....	1
23	1016561	Clamp .....	1
24	1016587	Clamp .....	1
25	101909301	Wire, Lead .....	1

**7**  
**G**

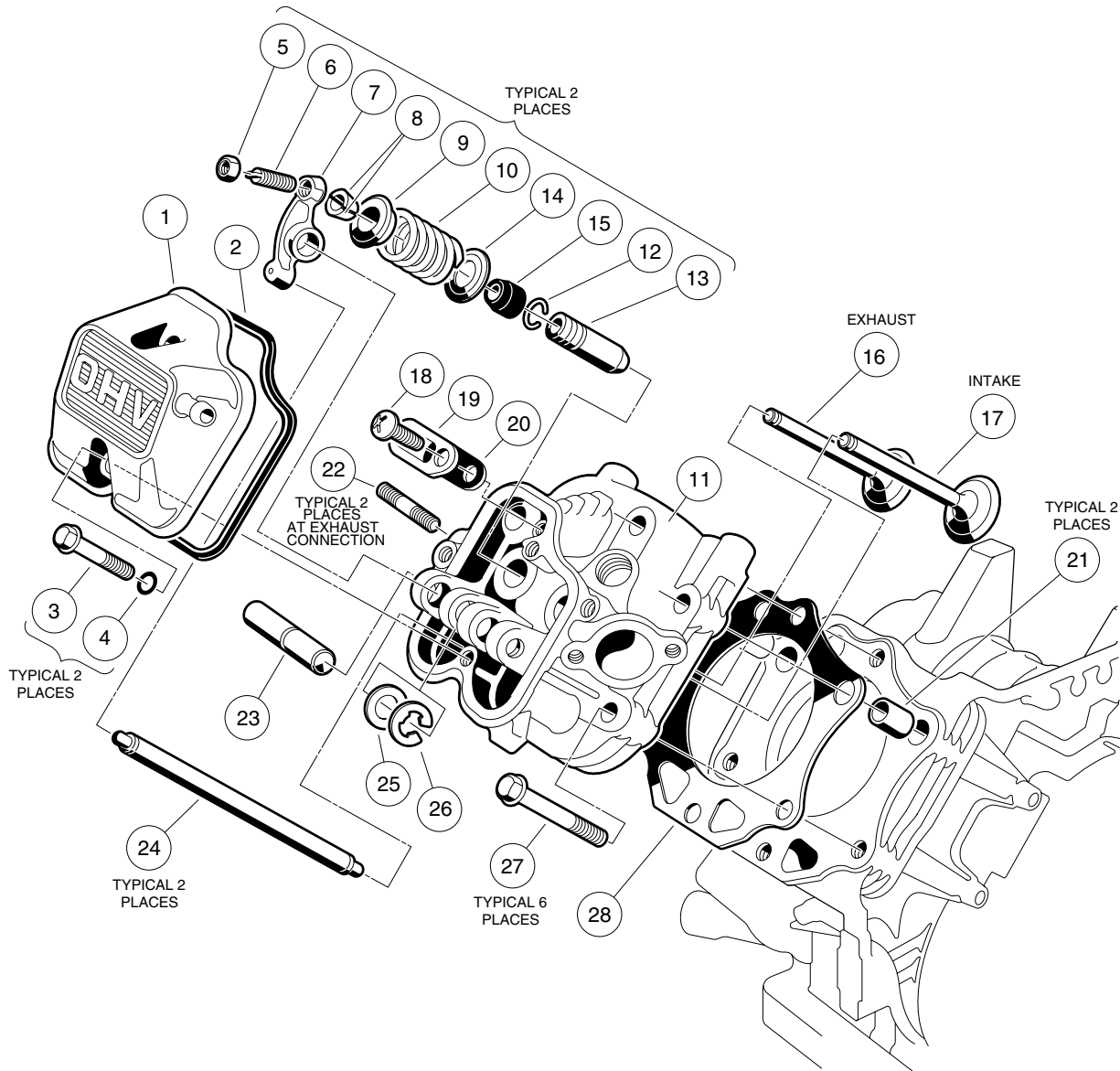


# FE290 ENGINE – OIL CIRCULATION

ITEM	PART NO.	DESCRIPTION	QTY
		1 2 3 4	
1	1016467	Oil Filter .....	1
2	1016502	Bracket, Oil Filter .....	1
3	1016457	Bolt, Flanged Hex Head, M6 x 1 x 40 mm .....	2
4	1017507	Plug .....	2
5	1016570	O-Ring, Oil Filter Mount .....	1
6	1016576	Plug, Drain, FE290 .....	1
7	1016432	Gasket, Drain Plug .....	1
8	1017456	Screw, Flanged Hex Head, M6 x 1 x 12 mm .....	6
9	1016484	Cover, Pump .....	1
10	1016435	Gasket, Oil Pump .....	1
11	1016473	Plate, Oil Pump .....	1
12	101648203	Pump, Oil and Rotor .....	1
13	1016429	Seat, Valve .....	1
14	1016537	Ball, Steel, Pressure Relief .....	1
15	1016581	Spring .....	1

7

G



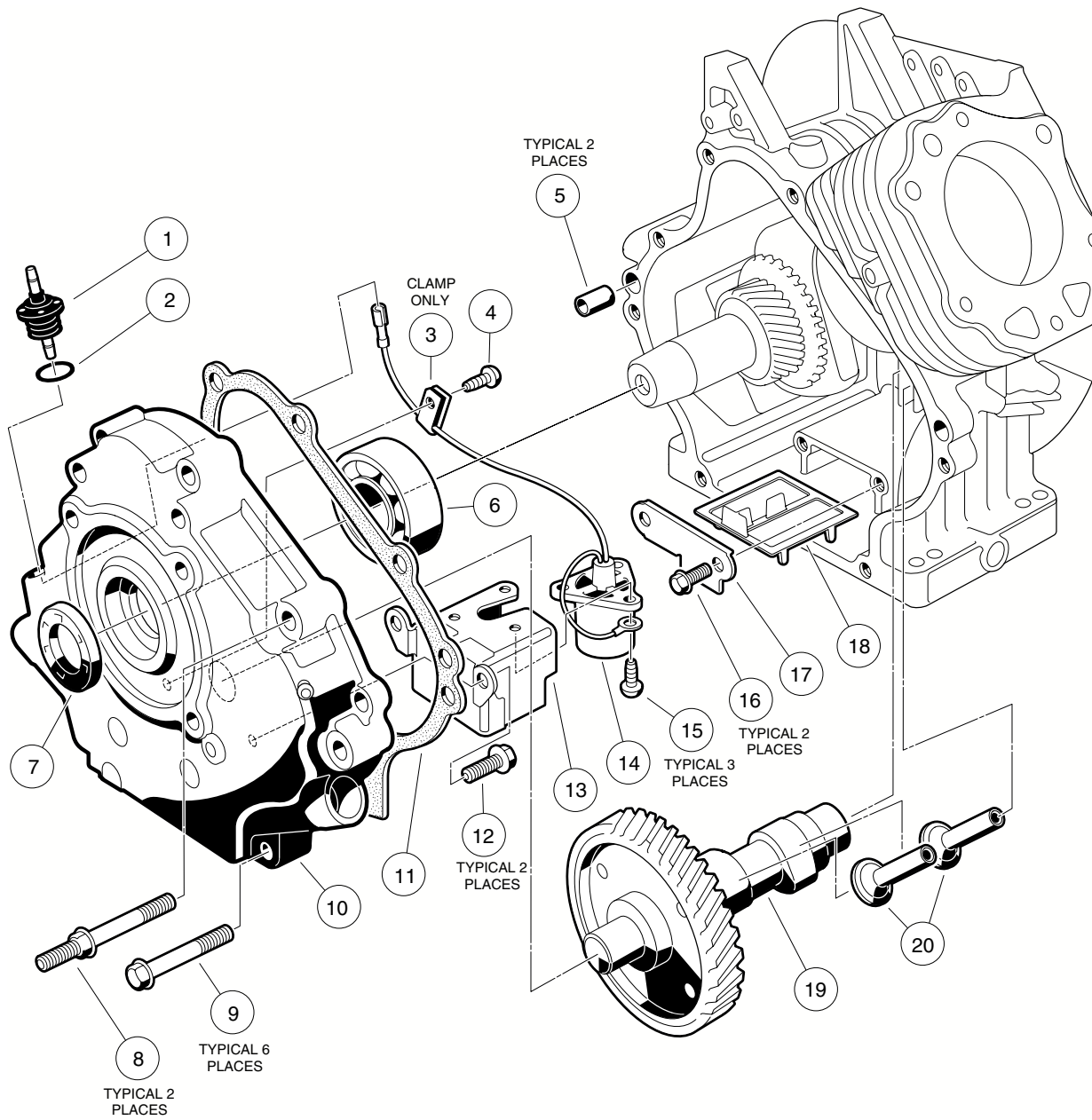


# FE290 ENGINE – CYLINDER HEAD

ITEM	PART NO.	DESCRIPTION	QTY
		1 2 3 4	
1	1016442	Case, Rocker .....	1
2	1016436	Gasket, Rocker Case .....	1
3	1016583	Bolt, Flanged, M6 x 1 x 35 mm .....	2
4	1016569	O-Ring .....	2
5	1016545	Nut, Hex, M5 x .8 .....	2
6	1016542	Screw, Stud, M5 x .8 .....	2
7	1016451	Arm, Rocker .....	2
8	1016450	Collet.....	4
9	1016449	Retainer, Valve Spring .....	2
10	1016523	Spring, Engine Valve .....	2
11	1016431	Assembly, Cylinder Head, OHV (includes items 12 and 13) .....	1
12	1016560	Ring, Snap .....	2
13	1016519	Guide, Valve .....	2
14	1016479	Seat, Spring .....	2
15	1016566	Seal, Valve .....	2
16	1016448	Valve, Exhaust .....	1
17	1016447	Valve, Intake .....	1
18	1016544	Screw, Cross Pan Head Self-Tapping, M5 x .8 x 12 mm .....	1
19	1016474	Plate .....	1
20	1016483	Valve .....	1
21	1016563	Pin .....	2
22	1016489	Bolt, Stud, M8 x 1.25 x 29 mm .....	2
23	1016452	Shaft, Rocker .....	1
24	1016471	Rod, Push .....	2
25	1016549	Washer, Flat, M12 .....	1
26	1016517	Circlip, Type E .....	1
27	1016458	Bolt, Flanged, M8 x 1.25 x 45 mm .....	6
28	1016430	Gasket, Head .....	1
	102304701	Kit, Gasket, FE290 (not shown)(contains one each of all internal gaskets for the FE290 engine) .....	1

7

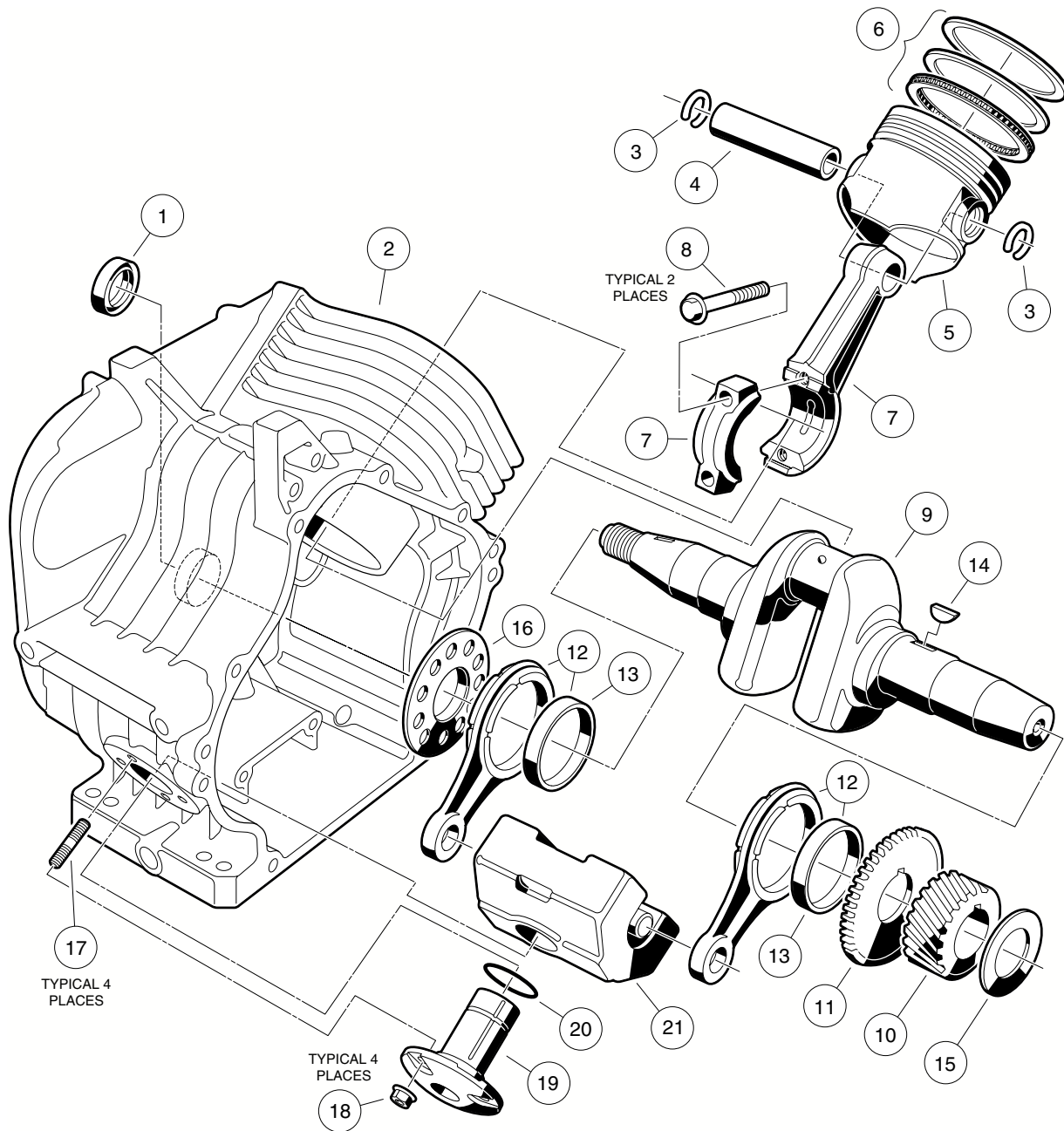
G



# FE290 ENGINE – CRANKCASE, CAMSHAFT AND OIL SENSOR

ITEM	PART NO.	DESCRIPTION	QTY
		1 2 3 4	
1	1016535	Connector, Cord .....	1
2	1016538	O-Ring .....	1
3	1016506	Clamp .....	1
4	1016544	Screw, Cross Pan Head Self-Tapping, M5 x.8 x 12 mm .....	1
5	1016564	Pin .....	2
6	1016565	Bearing, Ball .....	1
7	1016567	Seal, Crankshaft .....	1
8	1016584	Bolt, 2-Ended, M8 x 1.25 x 69 mm .....	2
9	1016458	Bolt, Flanged, M8 x 1.25 x 45 mm .....	6
10	1016520	Cover, Crankcase .....	1
11	1016446	Gasket, Crankcase Cover .....	1
12	1016456	Bolt, Flanged, M6 x 1 x 12 mm .....	2
13	1016510	Bracket, Oil Level Switch .....	1
14	1016494	Sensor, Oil Level .....	1
15	1016496	Screw, Cross Pan Head, M4 x.7 x 8 mm .....	3
16	1016454	Bolt, Flanged, M5 x.8 x 8 mm .....	2
17	1016472	Plate, Oil Filter Screen .....	1
18	1016521	Screen, Oil Filter .....	1
19	101915401	Camshaft, Complete .....	1
20	1016453	Tappet .....	2

**7**  
**G**

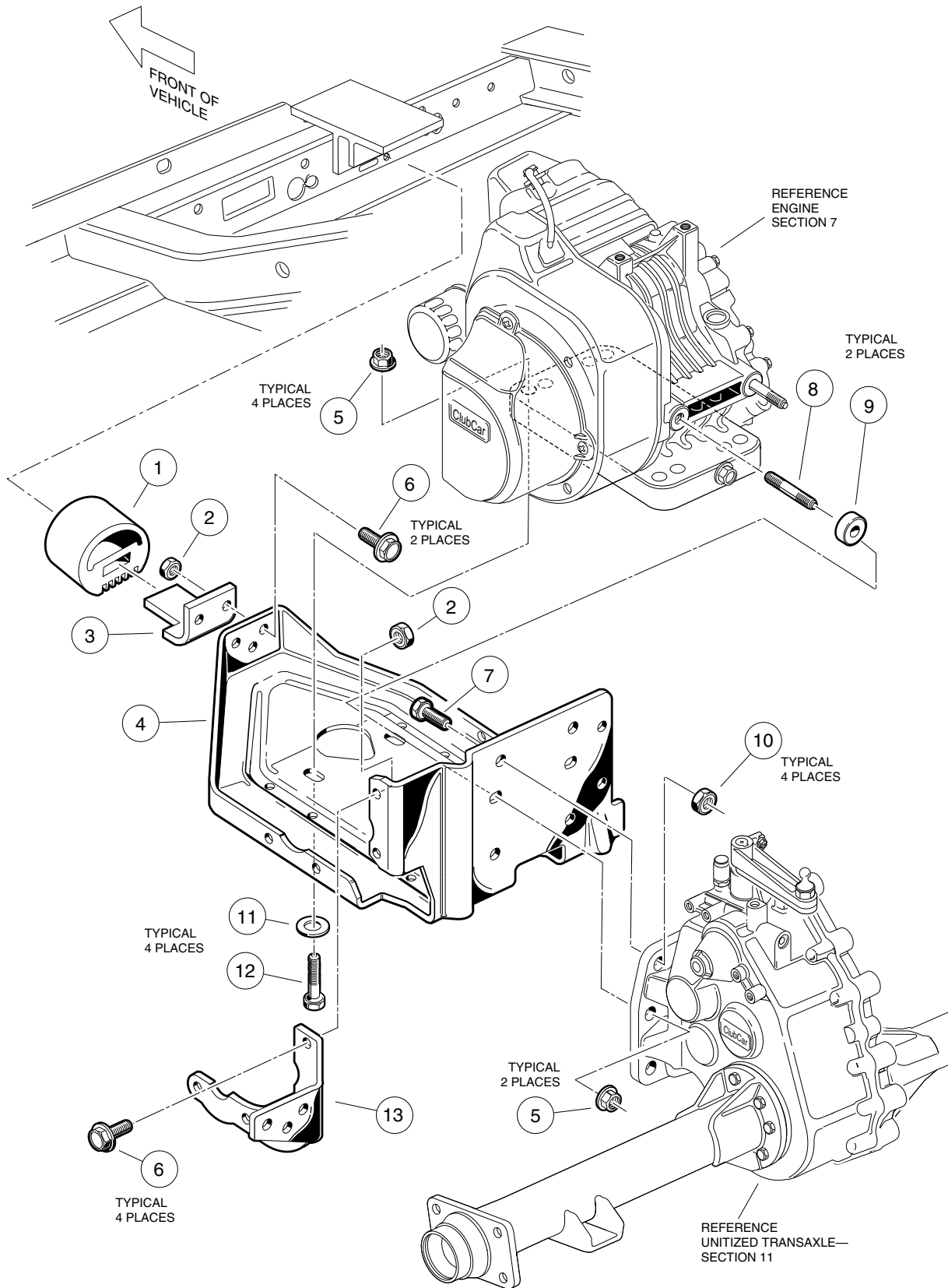


# FE290 ENGINE – CRANKCASE AND CRANKSHAFT

ITEM	PART NO.	DESCRIPTION	QTY
		1 2 3 4	
1	1016568	Seal, Oil .....	1
2	101915501	Crankcase, OHV .....	1
3	1016558	Ring, Snap .....	2
4	1016460	Pin, Piston .....	1
5	101645901	Piston, Standard .....	1
5	101645902	Piston, .25 mm Oversized .....	1
5	101645903	Piston, .50 mm Oversized .....	1
6	101646101	Ring Set, Piston, Standard .....	1
6	101646102	Ring Set, Piston, .25 mm Oversized .....	1
6	101646103	Ring Set, Piston, .50 mm Oversized .....	1
7	101647501	Assembly, Connecting Rod, Standard (includes 2 each of item 8) .....	1
7	101647502	Assembly, Connecting Rod, .50 mm Undersized (includes 2 each of item 8) .....	1
8	1016509	Screw, Hex Head Cap, M7 x 1 x 36 mm .....	2
9	101922301	Crankshaft, FE290 (left-hand thread) (includes items 10, 11 and one each of item 12) .....	1
10	1016533	Gear, Helical .....	1
11	1016532	Gear, Spur .....	1
12	1016516	Assembly, Rod (includes one each of item 13) .....	2
13	1016580	Bearing, Plain .....	2
14	1016562	Key .....	1
15	101655001	Shim, Crankshaft, 1.13 mm Thick .....	A/R
15	101655002	Shim, Crankshaft, 1.18 mm Thick .....	A/R
15	101655003	Shim, Crankshaft, 1.23 mm Thick .....	A/R
15	101655004	Shim, Crankshaft, 1.28 mm Thick .....	A/R
15	101655005	Shim, Crankshaft, 1.33 mm Thick .....	A/R
15	101655006	Shim, Crankshaft, 1.38 mm Thick .....	A/R
15	101655007	Shim, Crankshaft, 1.43 mm Thick .....	A/R
15	101655008	Shim, Crankshaft, 1.48 mm Thick .....	A/R
15	101655009	Shim, Crankshaft, 1.53 mm Thick .....	A/R
16	1016559	Spacer .....	1
17	1016541	Bolt, Stud, M6 x 1 x 22 mm .....	4
18	1016547	Nut, Flanged, M6 x 1 .....	4
19	1016470	Shaft, Counterbalance Guide .....	1
20	1016571	O-Ring .....	1
21	1016469	Weight, Counterbalance .....	1

**7**  
**G**

**7**  
**G**



# ENGINE MOUNTING

ITEM	PART NO.	DESCRIPTION	QTY
		1 2 3 4	
1	1012164	Snubber .....	1
2	1013924	Nut, Hex Lock, 5/16-24, UNF .....	6
3	101834601	Bracket, Snubber .....	1
4	101827101	Plate, Mounting .....	1
5	101833001	Nut, Flange, M8 x 1.25 .....	6
6	101884801	Screw, Hex Washer, 5/16-24 x 7/8 .....	6
7	101833301	Screw, Hex Head Cap, M10 x 1.25 x 30 mm .....	4
8	101833201	Stud, M8 x 1.25 x 60 mm .....	2
9	101832101	Spacer .....	2
10	101832901	Nut, Flange, M10 x 1.25 .....	4
11	1012571	Washer, Heavy Flat, 5/16 .....	4
12	101855901	Screw, Hex Head Cap, M8 x 1.25 x 43 mm .....	4
13	101832701	Stiffener, Flywheel Side .....	1

7

G

**7**

**G**

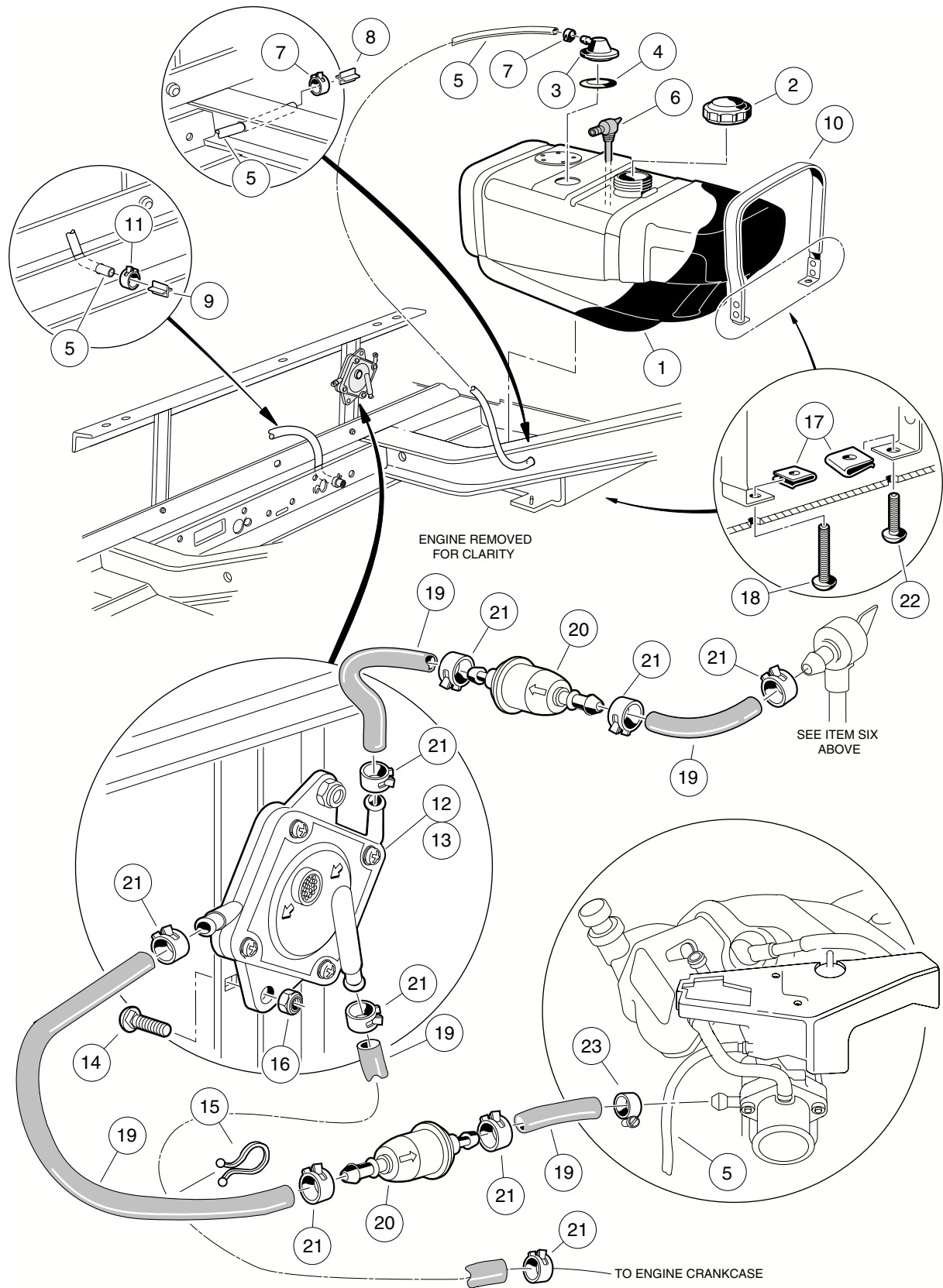


# FUEL, INTAKE, AND GOVERNOR SYSTEMS

---

8

G

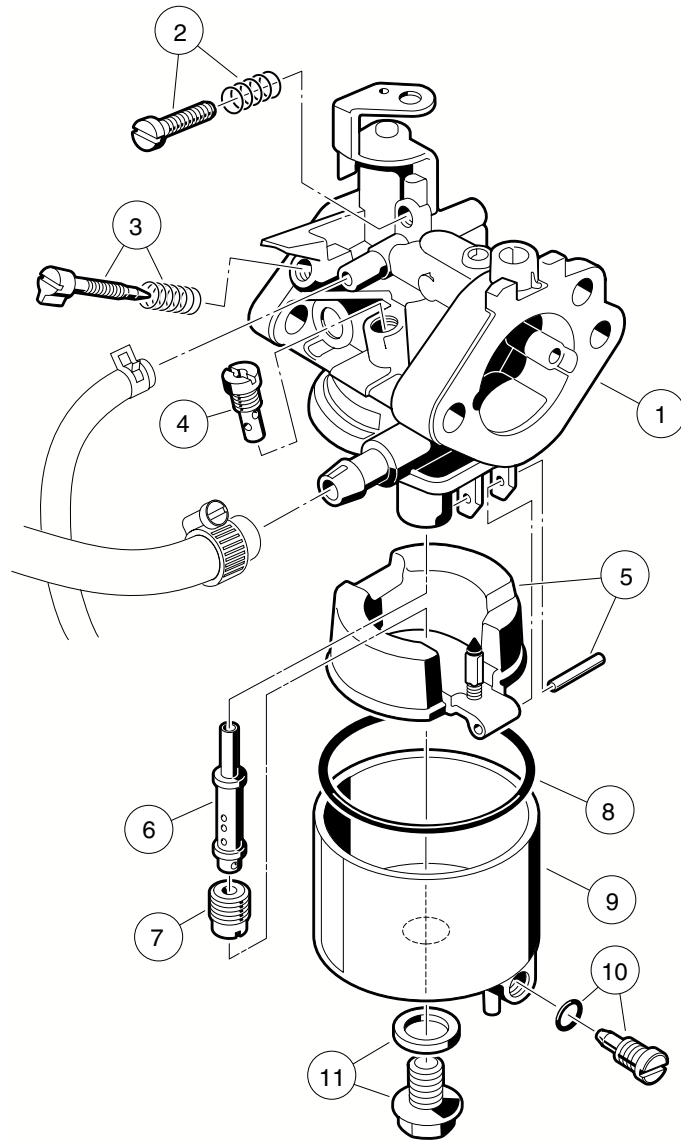


# FUEL SYSTEM

ITEM	PART NO.	DESCRIPTION	QTY
		1 2 3 4	
1	1016003	Kit, Fuel Tank (includes items 2 - 8) .....	1
2	1015188	Cap, Fuel Tank, Nonvented .....	1
3	1015143	Assembly, Fuel Tank Vent .....	1
4	1015139	Grommet, Insulation .....	1
5	1015137	Line, Bulk Vent (available by the foot) .....	A/R
6	101896901	Valve, Fuel Pickup Tube with Shut-Off .....	1
7	1013746	Clamp, Hose .....	2
8	101824401	Barb, Vent .....	1
9	101824401	Barb, Vent .....	1
10	1014928	Assembly, Rear Fuel Strap .....	1
11	1013746	Clamp, Hose .....	2
12	1014523	Pump, Fuel Impulse .....	1
13	1014524	Rebuild Kit, Fuel Impulse Pump .....	1
14	1017203	Screw, Round-Head Square-Neck, 1/4-20 x 1 .....	2
15	101987701	Clamp, Plastic .....	1
16	8233	Nut, Nylon Lock, 1/4-20 .....	2
17	1014116	Nut, U-Type Speed, 1/4-20 .....	2
18	1011988	Screw, Phillips Truss Head, 1/4-20 x 2 .....	1
19	1013692	Line, Bulk Fuel (available by the foot) .....	A/R*
20	102003201	Filter, Fuel .....	2
21	1012649	Clamp, Hose (red) .....	9
22	8248	Screw, Phillips Truss Head, 1/4-20 x 3/4 .....	1
23	1013687	Clamp, Hose, 3/8 .....	1
* The total fuel line length for the DS Golf Car is 47 inches (119.4 cm).			

8

G

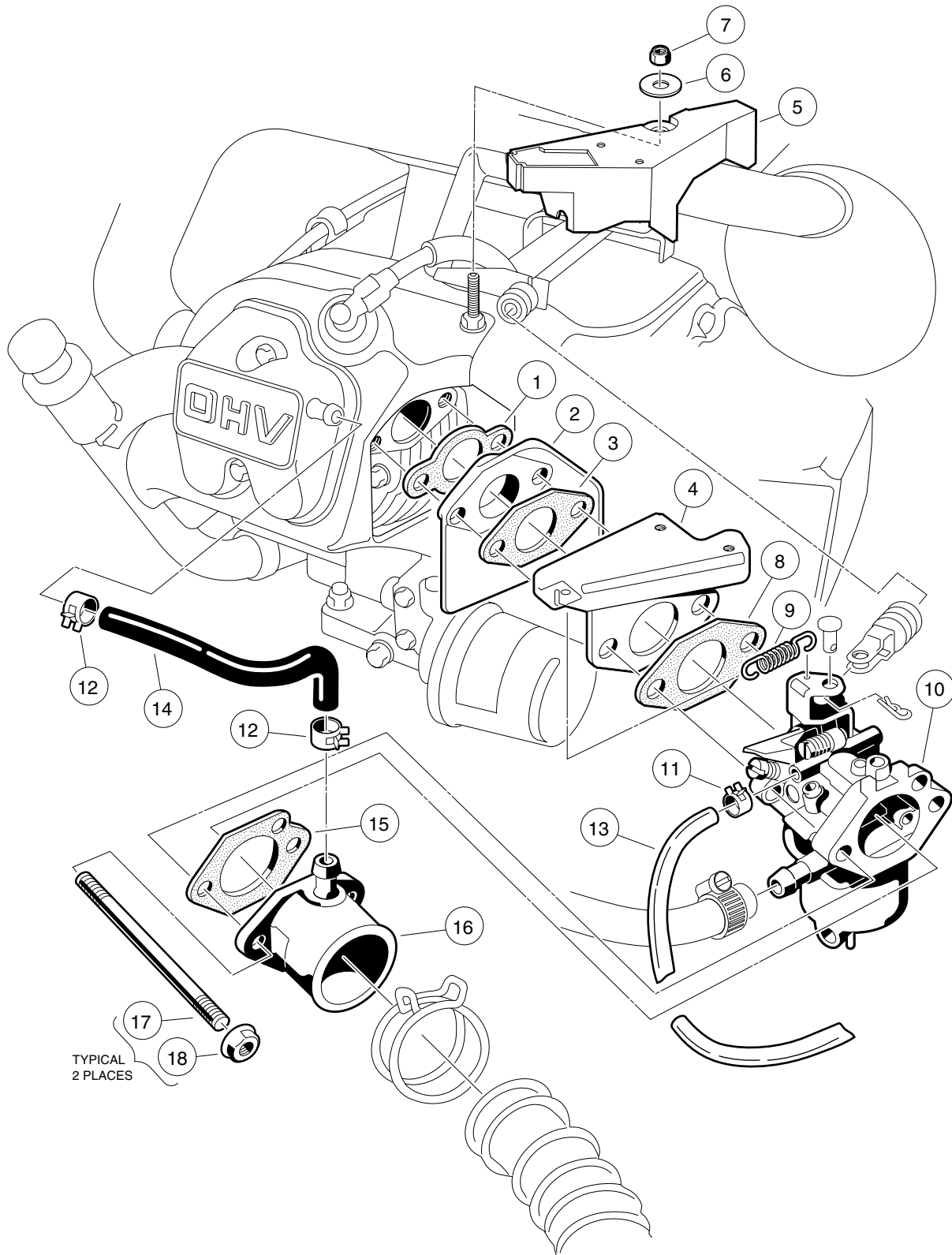


# CARBURETOR ASSEMBLY

ITEM	PART NO.	DESCRIPTION	QTY
		1 2 3 4	
1	101905601	Assembly, Carburetor (includes items 2 - 11) .....	1
2	1016501	Assembly, Idle Screw .....	1
3	N/A	Assembly, Pilot Air Screw .....	1
4	101973101	Jet, Pilot, #40 .....	1
5	1016486	Assembly, Float .....	1
6	101973201	Nozzle, Main .....	1
		Standard Jetting:	
7	101642582	Jet, Main, 0 - 3,000 feet .....	1
7	101642580	Jet, Main, 3,000 - 5,000 feet .....	A/R
7	101642578	Jet, Main, 5,000 - 8,000 feet .....	A/R
7	101642575	Jet, Main, 8,000 - 10,000 feet .....	A/R
7	101642572	Jet, Main, 10,000 Feet and Above .....	A/R
8	1016437	Gasket, Float Chamber .....	1
9	1017461	Assembly, Float Chamber (includes item 10) .....	1
10	1016499	Assembly, Screw .....	1
11	1016585	Assembly, Bolt .....	1

8

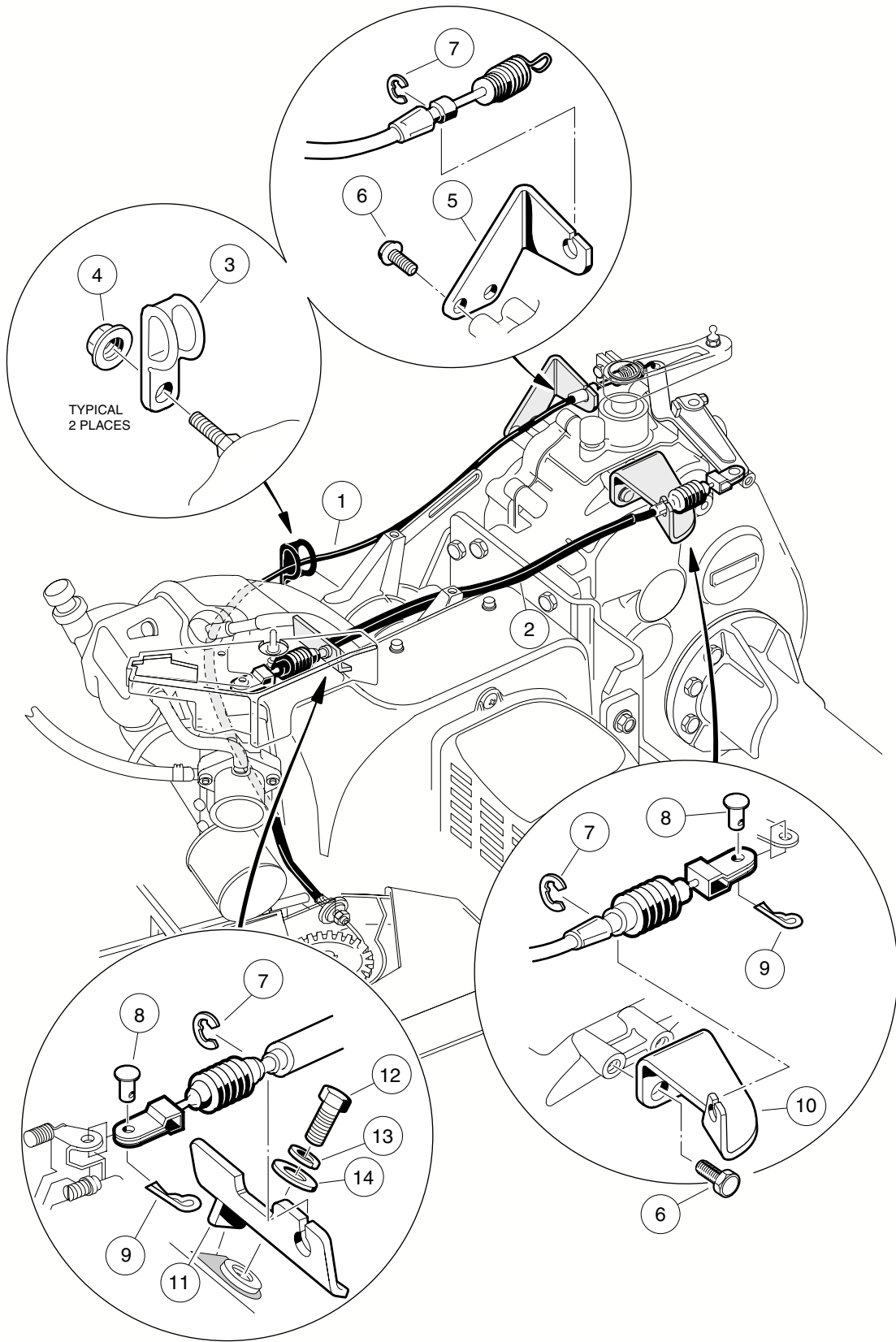
G



# CARBURETOR INSTALLATION

ITEM	PART NO.	DESCRIPTION	QTY
		1 2 3 4	
1	1016440	Gasket, Insulator .....	1
2	101648102	Insulator, Carburetor .....	1
3	1016439	Gasket, Carburetor Insulator to Throttle Bracket .....	1
4	1016444	Bracket, Throttle .....	1
5	101820201	Guard, Governor .....	1
6	1011697	Washer, Flat, 5/16 .....	1
7	101887601	Nut, Nylon Lock, M6 x 1 .....	1
8	1016441	Gasket, Throttle Bracket to Carburetor .....	1
9	1016582	Spring, Throttle Return .....	1
10	101905601	Assembly, Carburetor .....	1
11	1013746	Clamp, Hose (gray) .....	1
12	1017466	Clamp, Hose (bronze) .....	2
13	1015137	Line, Bulk Vent (available by the foot) .....	A/R
14	1016572	Tube, Crankcase Vent .....	1
15	1016438	Gasket, Carburetor to Intake Manifold .....	1
16	1016480	Pipe, Intake .....	1
17	101649002	Screw, 2-Ended Stud, M6 x 1 x 90 mm .....	2
18	1016547	Nut, Flanged, M6 x 1 .....	2

**8**  
**G**

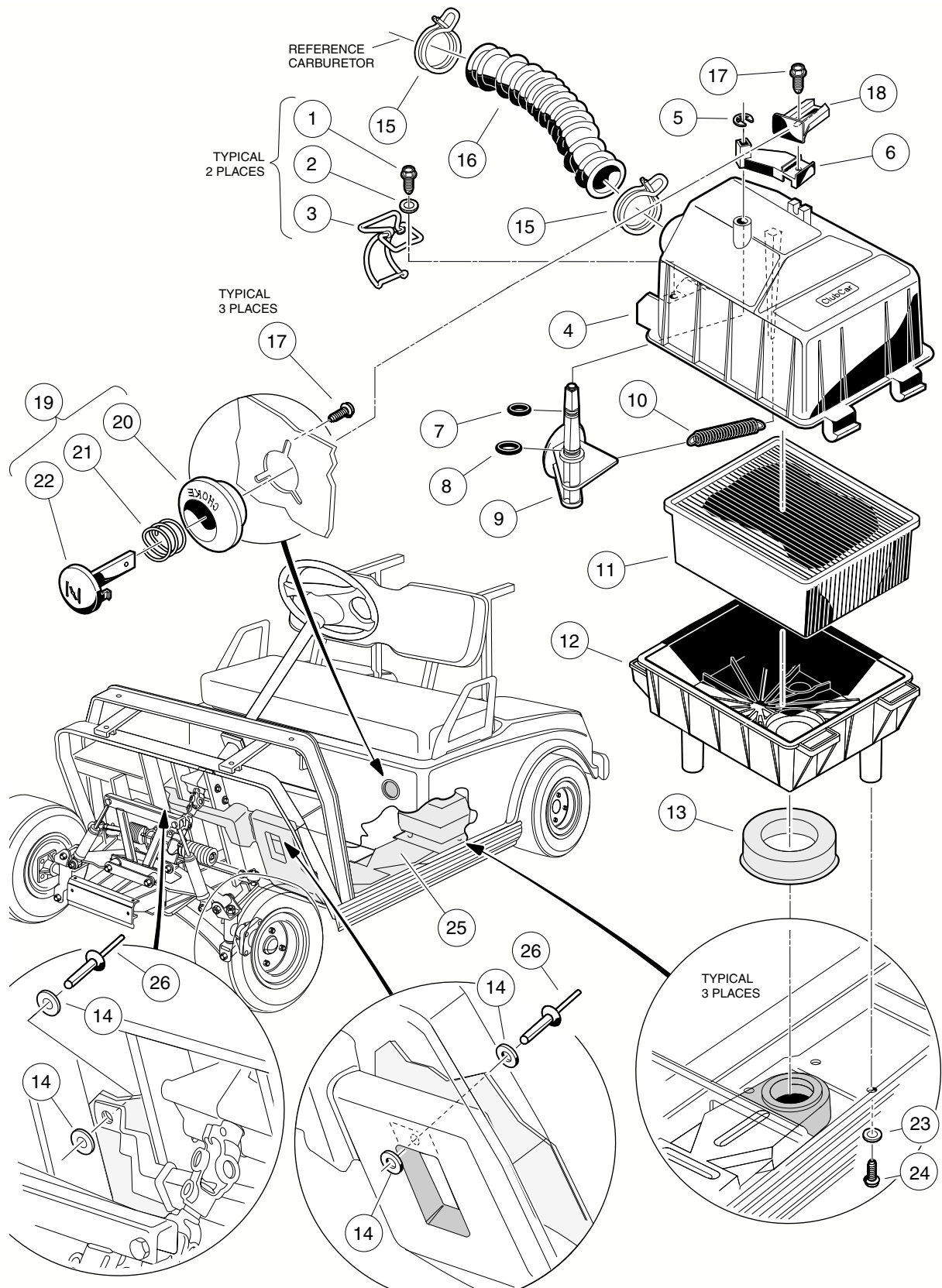




# GOVERNOR AND ACCELERATOR CABLES

ITEM	PART NO.	DESCRIPTION	QTY
		1 2 3 4	
1	101832501	Cable, Accelerator .....	1
2	101832401	Cable, Governor .....	1
3	1013700	Clamp, Cable Retaining .....	2
4	1016546	Nut, Flanged Hex, M8 x 1.25 .....	2
5	101832301	Bracket, Accelerator Support .....	1
6	1012285	Screw, Thread-Rolling, 1/4-20 x 5/8 .....	4
7	1016202	E-Ring .....	3
8	1015408	Pin, Governor Cable Clevis .....	2
9	1014413	Pin, Hair Spring Cotter, 1/8 I.D. x 5/8 .....	2
10	101832201	Bracket, Support .....	1
11	1015845	Bracket, Governor Cable Engine .....	1
12	101903501	Screw, Hex Head Cap, M8 x 1.25 x 24 mm .....	1
13	7174	Washer, Lock, 5/16 .....	1
14	1011697	Washer, Flat, 5/16 .....	1

**8**  
**G**



# INTAKE DUCT, CHOKE, AND AIR BOX ASSEMBLY

ITEM	PART NO.	DESCRIPTION	QTY
		1 2 3 4	
	101821501	Assembly, Air Box (includes items 1 - 13) .....	1
1	101804301	Screw, Hi-Lo Hex Head, #8-1/2 .....	2
2	101881701	Washer, Stainless Steel, #8 .....	2
3	101925701	Latch, Wire .....	2
4	101972801	Assembly, Air Box Top (includes items 5 - 10) .....	1
5	101813001	E-Clip .....	1
6	101917601	Lever, Choke .....	1
7	N/A	O-Ring, 5/16 (red) .....	1
8	N/A	O-Ring, 3/8 (green) .....	1
9	N/A	Valve, Choke .....	1
10	101812301	Spring, Return .....	1
11	1015426	Filter, Air .....	1
12	101811901	Bottom, Air Box .....	1
13	101921501	Seal, Intake .....	1
14	183	Washer, Flat, #10 .....	4
15	101971301	Clamp, Hose (air Intake) .....	2
16	101837101	Hose, Intake .....	1
17	101850301	Screw, Hi-Lo, #12 x 1/2 .....	4
18	101917701	Positioner, Choke .....	1
19	101805701	Assembly, Choke Button (includes items 20, 21 and 22) .....	1
20	101811501	Guide, Choke Lever .....	1
21	101856201	Spring, Compression .....	1
22	101811401	Lever, Choke .....	1
23	332	Washer, Flat, 1/4 .....	3
24	1015752	Screw, Hi-Lo, #12-16 x 5/8 .....	3
25	101958101	Assembly, Air Duct .....	1
26	1606	Rivet, Pop, 3/16 .....	2
	101971001	Air Duct Repair Kit (not shown) .....	A/R

8

G

**8**

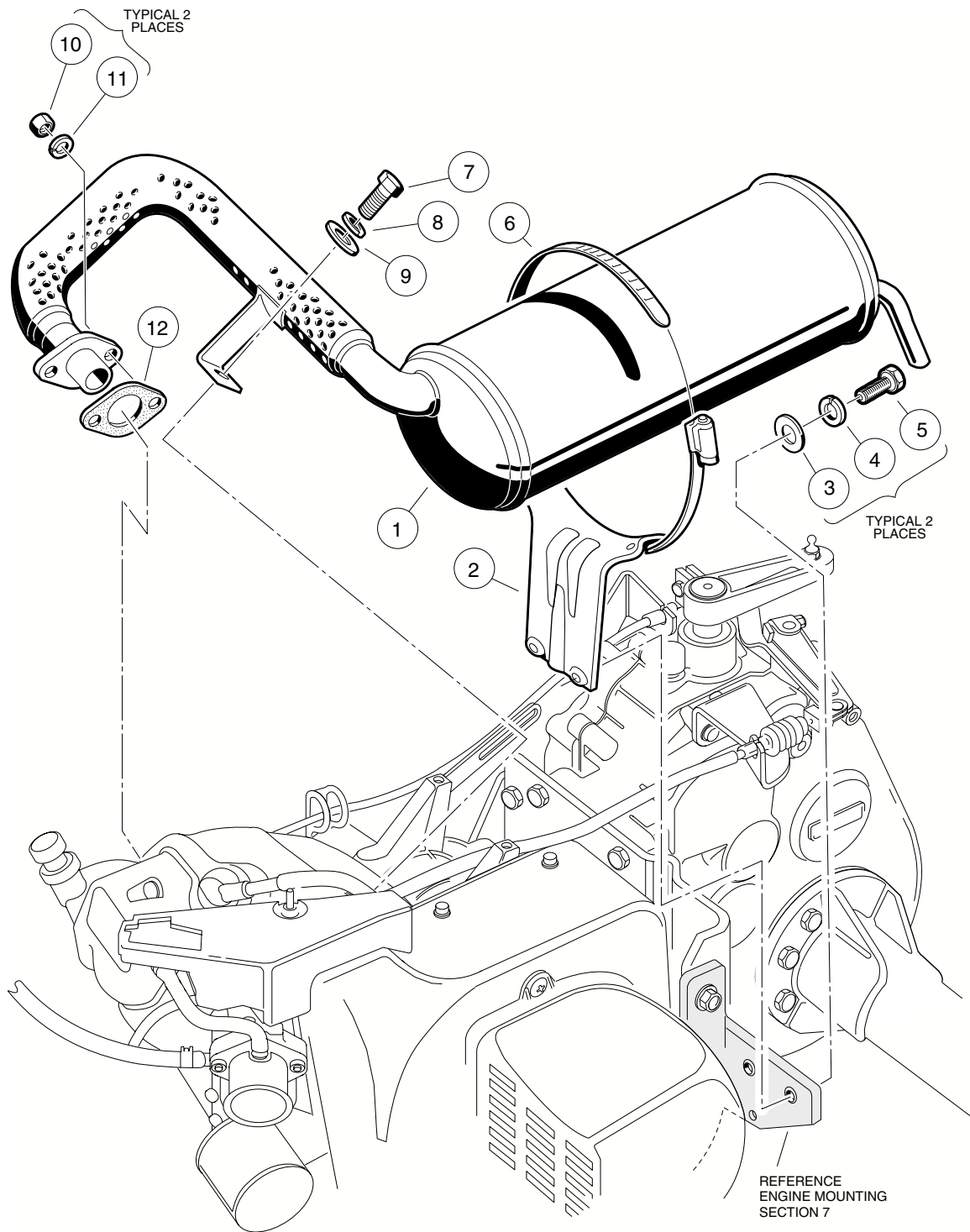
**G**

# EXHAUST SYSTEM

---

9

G



# EXHAUST SYSTEM

ITEM	PART NO.	DESCRIPTION	QTY
		1 2 3 4	
1	101859301	System, Exhaust .....	1
2	1015814	Bracket, Muffler Mounting .....	1
3	332	Washer, Flat, 1/4 .....	2
4	451	Washer, Lock, 1/4 .....	2
5	7847	Screw, Hex Head, 1/4-20 x 3/4 .....	2
6	1017689	Clamp, Muffler .....	1
7	1012830	Screw, Hex Head Cap, M8 x 1.25 x 22 mm .....	1
8	7174	Washer, Lock, 5/16 .....	1
9	1015075	Washer, Flat, 5/16 .....	1
10	1012528	Nut, Hex, M8 x 1.25 .....	2
11	1013734	Washer, Lock, 8 mm .....	2
12	1015330	Gasket, Exhaust .....	1

**9**  
**G**

**9**

**G**



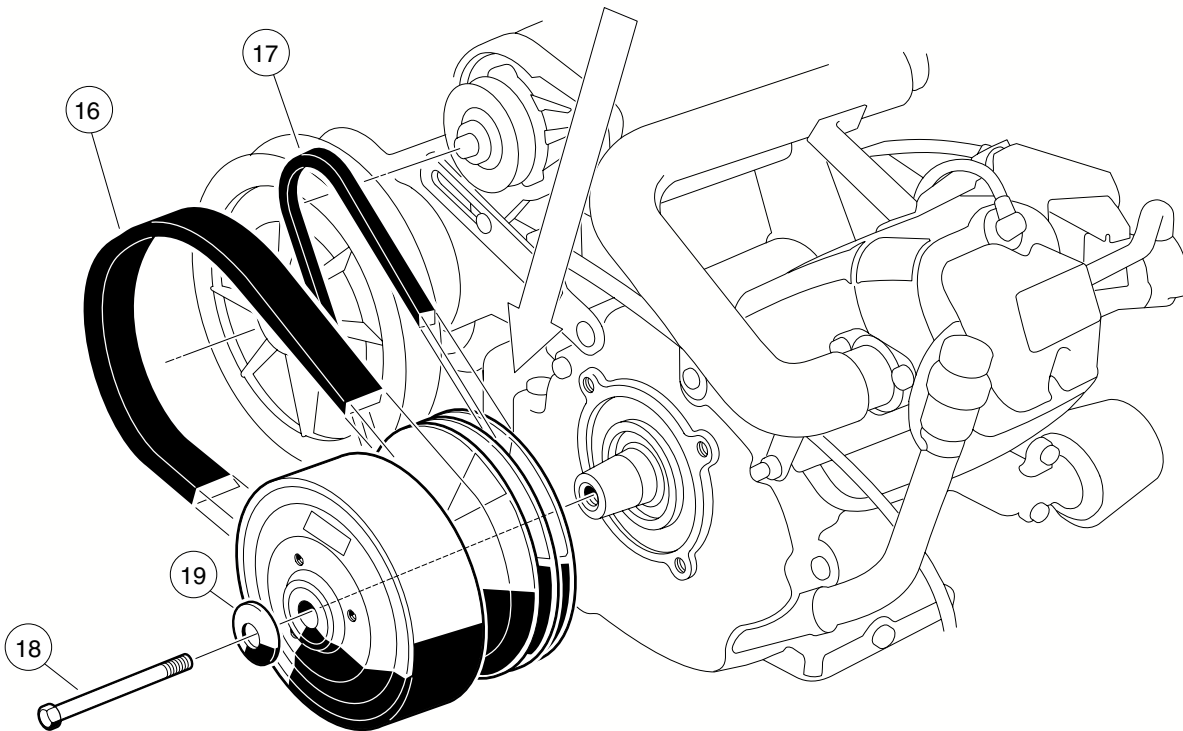
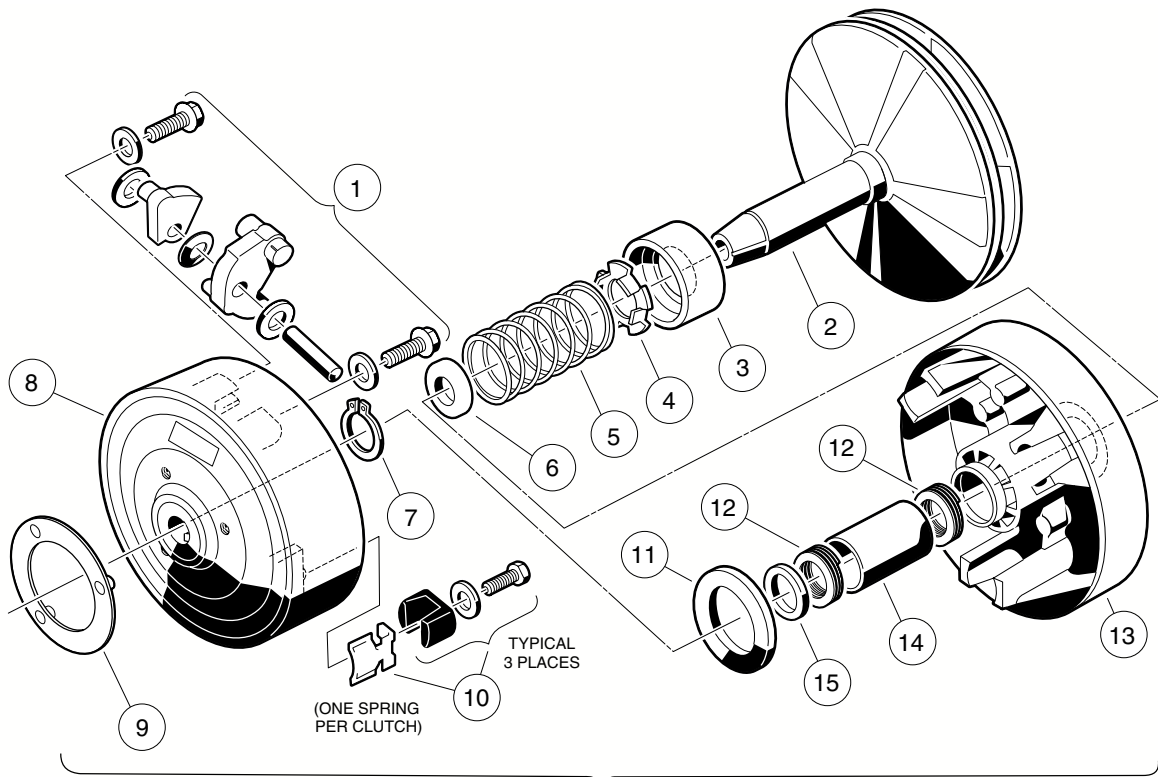
# TORQUE CONVERTER

---

10

G

**10**  
**G**

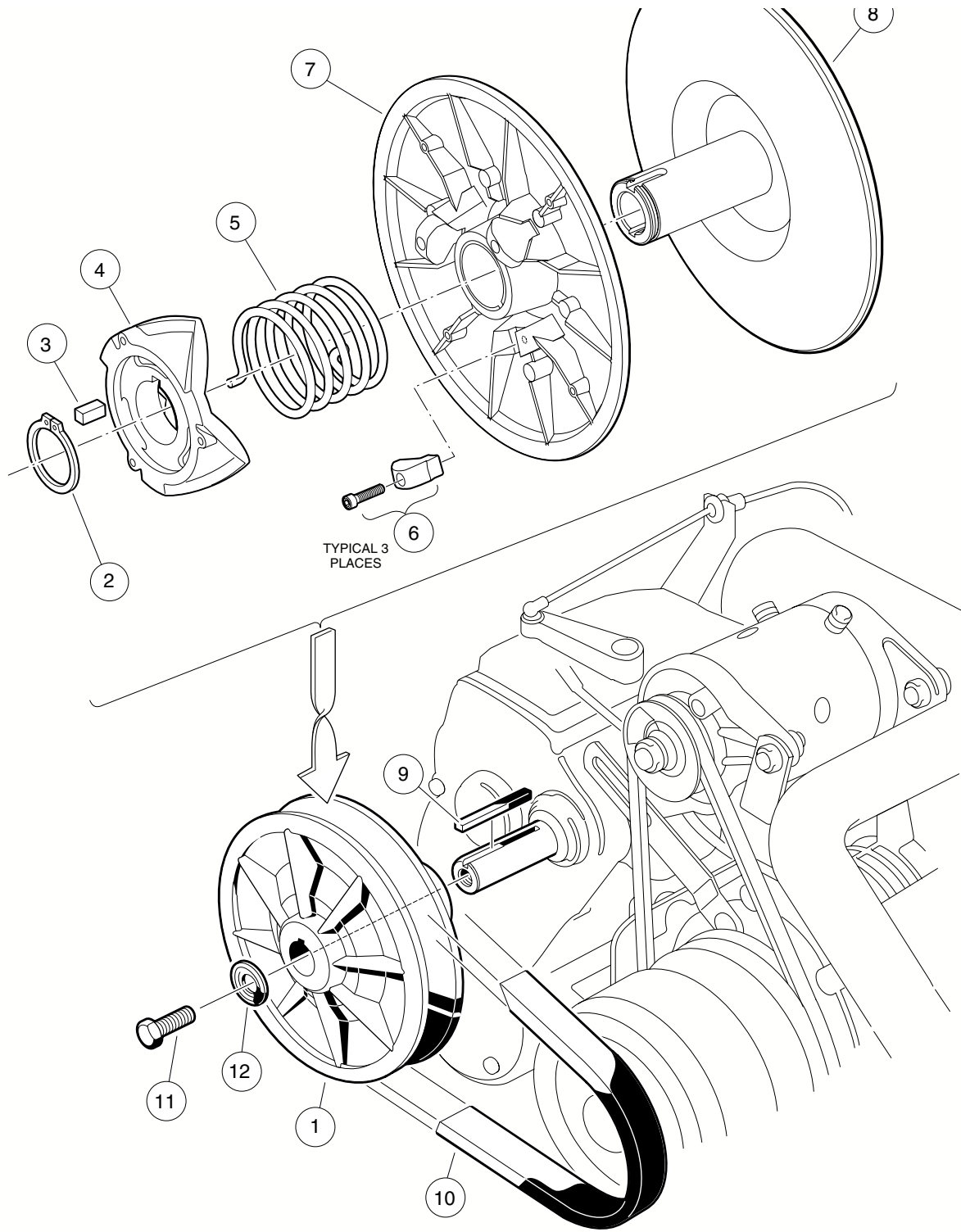


# DRIVE CLUTCH

ITEM	PART NO.	DESCRIPTION	QTY
		1 2 3 4	
	101833902	Assembly, Drive Clutch (includes items 1 - 15) .....	1
1	1016801	Kit, Drive Clutch Weight .....	1
2	101929801	Assembly, Fixed Face .....	1
3	1014049	Bearing, Idler .....	1
4	1014050	Retainer, Spring .....	1
5	1014051	Spring, Drive Clutch – Black .....	1
6	1016289	Spacer, Fixed Face Shaft .....	1
7	1014057	Ring, Retaining .....	1
8	1014059	Assembly, Drive Hub .....	1
9	101925601	Plug, Drive Clutch .....	1
10	1014453	Kit, Drive Clutch Button (includes one spring and three each of the screw, washer, and button) .....	1
11	1014058	Washer, Thrust .....	1
12	1014056	Ring, Spiral Back-Up .....	2
13	1014052	Assembly, Moveable Face (includes items 14 and 15) .....	1
14	N/A	Bushing .....	1
15	1014055	Retainer .....	1
16	1016203	Belt, Drive .....	1
17	101916701	Belt, Starter/Generator .....	1
18	101916501	Screw, Hex Head Cap, 3/8-24 x 5-1/2 (left-hand threads) .....	1
19	1017328	Washer, Drive Clutch – Green .....	1

**10**  
**G**

**10**  
**G**



# DRIVEN CLUTCH

ITEM	PART NO.	DESCRIPTION	QTY
		1 2 3 4	
1	101834001	Assembly, Driven Clutch (includes items 2 - 8) .....	1
2	1014080	Ring, Retaining .....	1
3	1014078	Key .....	1
4	1017686	Cam .....	1
5	101836201	Spring – Green .....	1
6	1014454	Kit, Driven Clutch Button (includes 3 screws and 3 buttons) .....	1
7	1014072	Assembly, Moveable Face with Bushing .....	1
8	1014070	Face, Fixed .....	1
9	101833401	Key, Square Transmission .....	1
10	1016203	Belt, Drive .....	1
11	102242101	Screw, Hex Head Cap, Thread-Locking Patch, 5/16-18 x 3/4 .....	1
12	102155801	Washer, Driven Clutch .....	1

**10**  
**G**

**10**

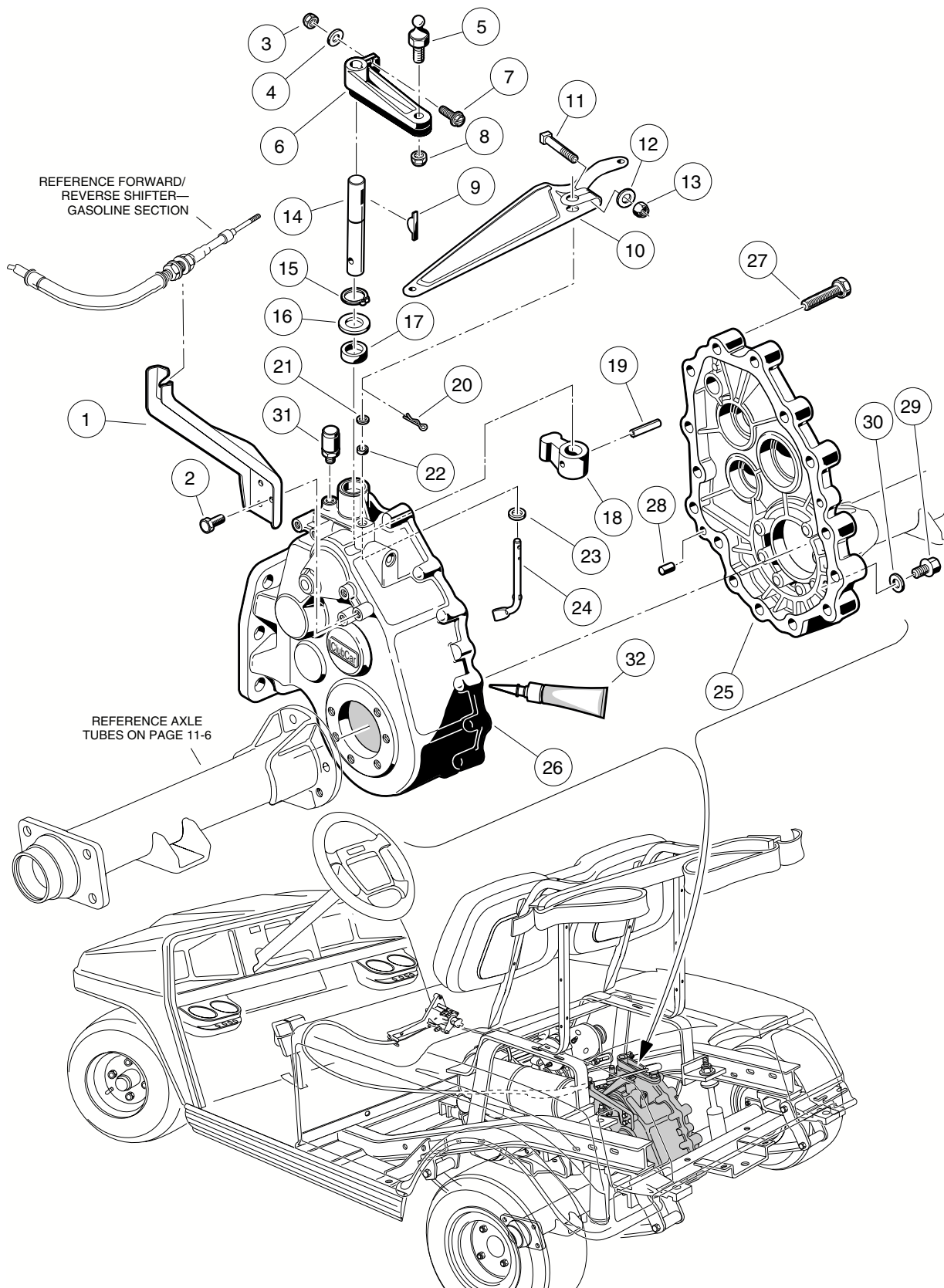
**G**

# UNITIZED TRANSAXLE

---

11

G





# UNITIZED TRANSAXLE – GEAR CASES AND BRACKETS

ITEM	PART NO.	DESCRIPTION	QTY
		1 2 3 4	
1	101922601	Bracket, Transmission Cable Support .....	1
2	1012285	Screw, Thread-Rolling, 1/4-20 x 5/8 .....	3
3	1013061	Nut, Nylon Lock, #10-32 .....	1
4	183	Washer, Flat, #10 .....	1
5	1010954	Stud, Ball, 1/4-28 x 9/16 .....	1
6	1016341	Lever, Transmission Shifter .....	1
7	1017082	Screw, Hex Washer Head, #10-32 x 3/4 .....	1
8	8717	Nut, Nylon Lock, 1/4-28 .....	1
9	1017231	Key, Woodruff .....	1
10	101834801	Arm, Governor Lever .....	1
11	101886101	Screw, Square Head, 1/4-20 x 1 .....	1
12	1014007	Washer, Type B, 1/4 .....	1
13	8233	Nut, Nylon Lock, 1/4-20 .....	1
	101833601	Unitized Transaxle (includes items 14 - 88) .....	1
14	101890201	Shaft, Shifter .....	1
15	101927301	Ring, Snap .....	1
16	101892901	Washer, Flat .....	1
17	101927201	Seal, Oil .....	1
18	101890101	Lever, Shifter .....	1
19	1012752	Pin, Roll .....	1
20	101928601	Pin, Cotter .....	1
21	1016513	Washer, Flat .....	1
22	101927101	Seal, Oil .....	1
23	101893801	Washer .....	1
24	101891301	Arm, Pivot .....	1
25	101890601	Gear Case (passenger side) .....	1
26	101890501	Gear Case (driver side) .....	1
27	101926901	Bolt, Flanged, M8 x 1.25 x 40 mm .....	15
28	1012896	Pin, Dowel .....	2
29	1013759	Plug, Drain (includes item 30) .....	2
30	1016432	Gasket .....	1
31	1012711	Breather .....	1
32	101928701	Gasket, Liquid, 8.8 oz. (250 grams) .....	A/R

11

G

