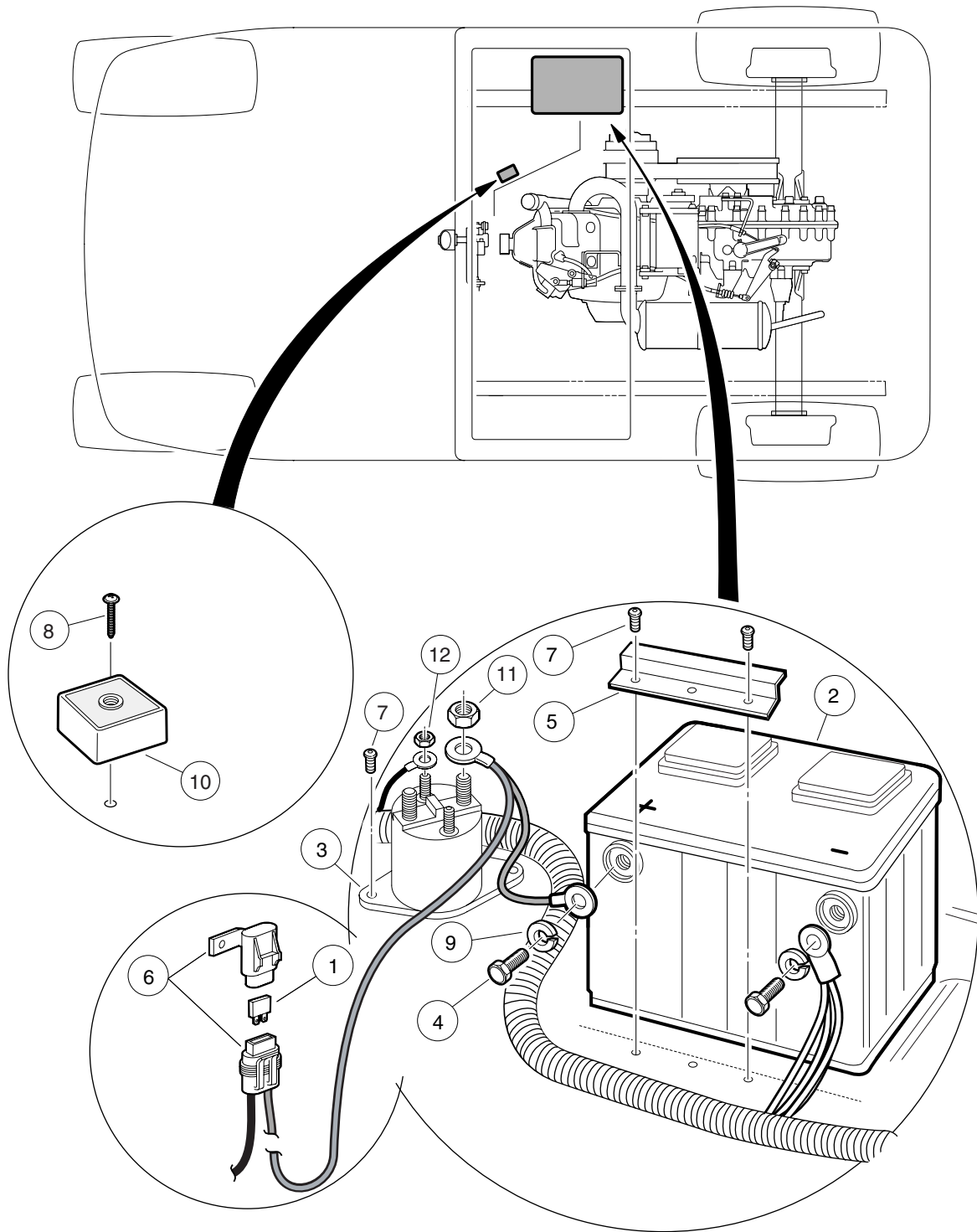


ELECTRICAL COMPONENTS, FRONT BODY – GASOLINE VEHICLE

ITEM	PART NO.	DESCRIPTION	QTY
		1 2 3 4	
1	1012505	Keys (set of 2)	1
2	1016630	Light, Oil	1
3	1016849	Screw, #4-24 X 0.33 Pan-Head Machine	2
4	1016851	Buzzer, Reverse (9-48 VDC)	1
5	101830701	Nut, Key Switch	1
6	101834502	Cap, Black Key Switch	1
7	101851101	Washer, Key Switch	1
8	102515001	Ip Control Harness, Gas (includes item 9)	1
9	N/A	Connector, Plug 9-pin	1
10	102515101	Key Switch, Gas, Prec	1
11	102522901	Instrument Panel (standard)	1
12	102536601	Instrument Panel (with Hole for Headlight Switch)	1
13	102536602	Instrument Panel (with Hole for Fuel Gauge)	1
14	102536604	Instrument Panel (with Hole for Headlight Switch and Fuel Gauge)	1
15	AM10079	Bulk Std Keys (50) *	1
		* Note: Must order in multiples of 50.	

6
G

6
G



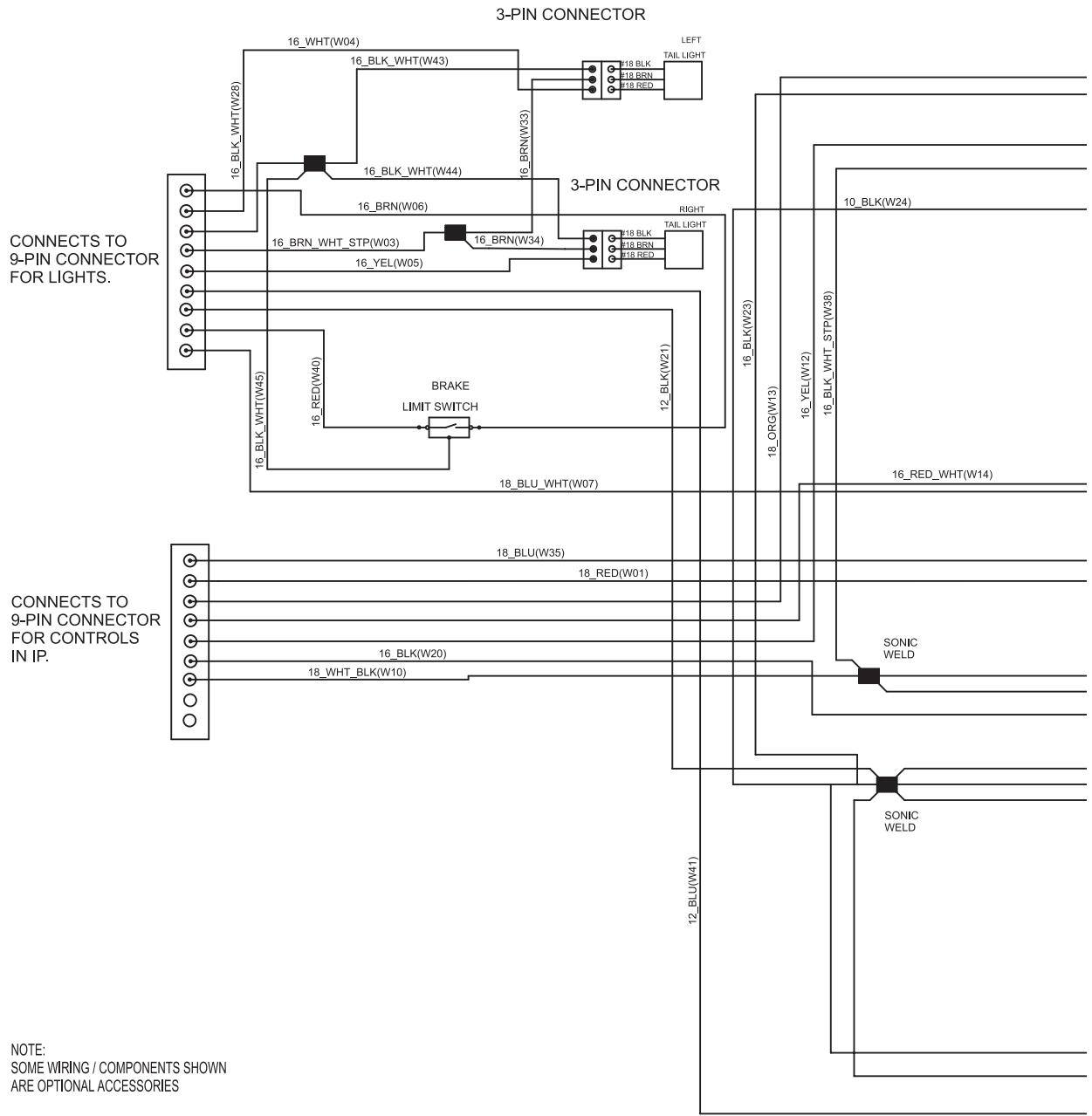
000479-001

BATTERY – GASOLINE VEHICLE

ITEM	PART NO.	DESCRIPTION	QTY
		1 2 3 4	
1	1012295	Fuse, 10-Amp	1
2	1012328	Battery, 12-Volt	1
3	1013609	Solenoid, 12-Volt	1
4	1014375	Screw, 3/8-16 X 0.50 Stainless Steel Hex-Head	2
5	101898001	Clamp, Battery	1
6	N/A	Cover, Fuse, Sealed, Metri	1
7	102296020	Screw, Torx Pan Hd Pt, M6 X 20	4
8	102296040	Screw, Torx Pan Hd Pt, M6 X 40	1
9	102355301	Lockwasher, 3/8 Stainless Stl	2
10	102803301	Asm, Voltage Regulator, Prec.	1
11	1242	Nut, 5/16-18 Hex	2
12	7893	Nut, #10-32 Hex	2

6

G



000481-001

6

G

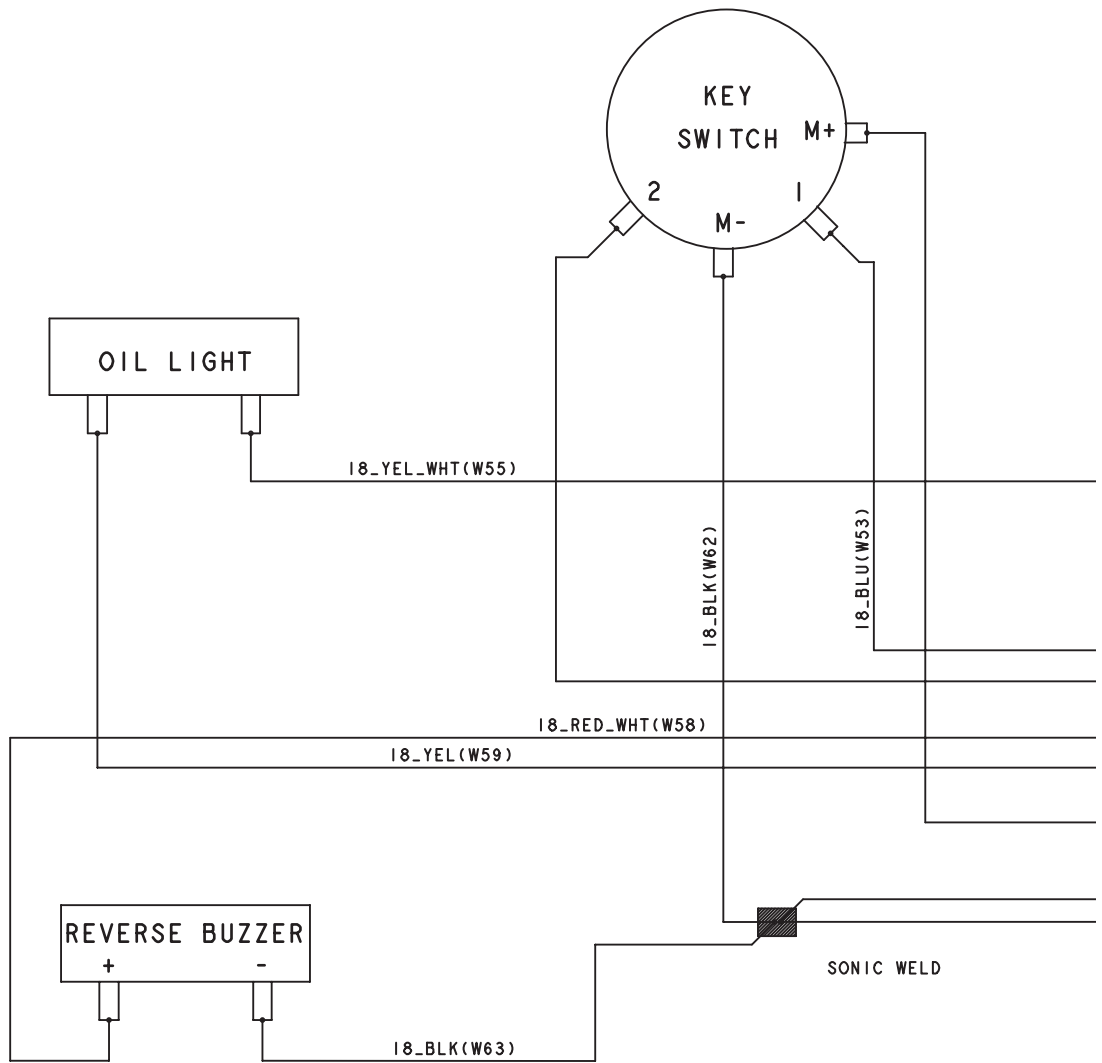
See previous two pages for illustration.

WIRING – GASOLINE VEHICLE

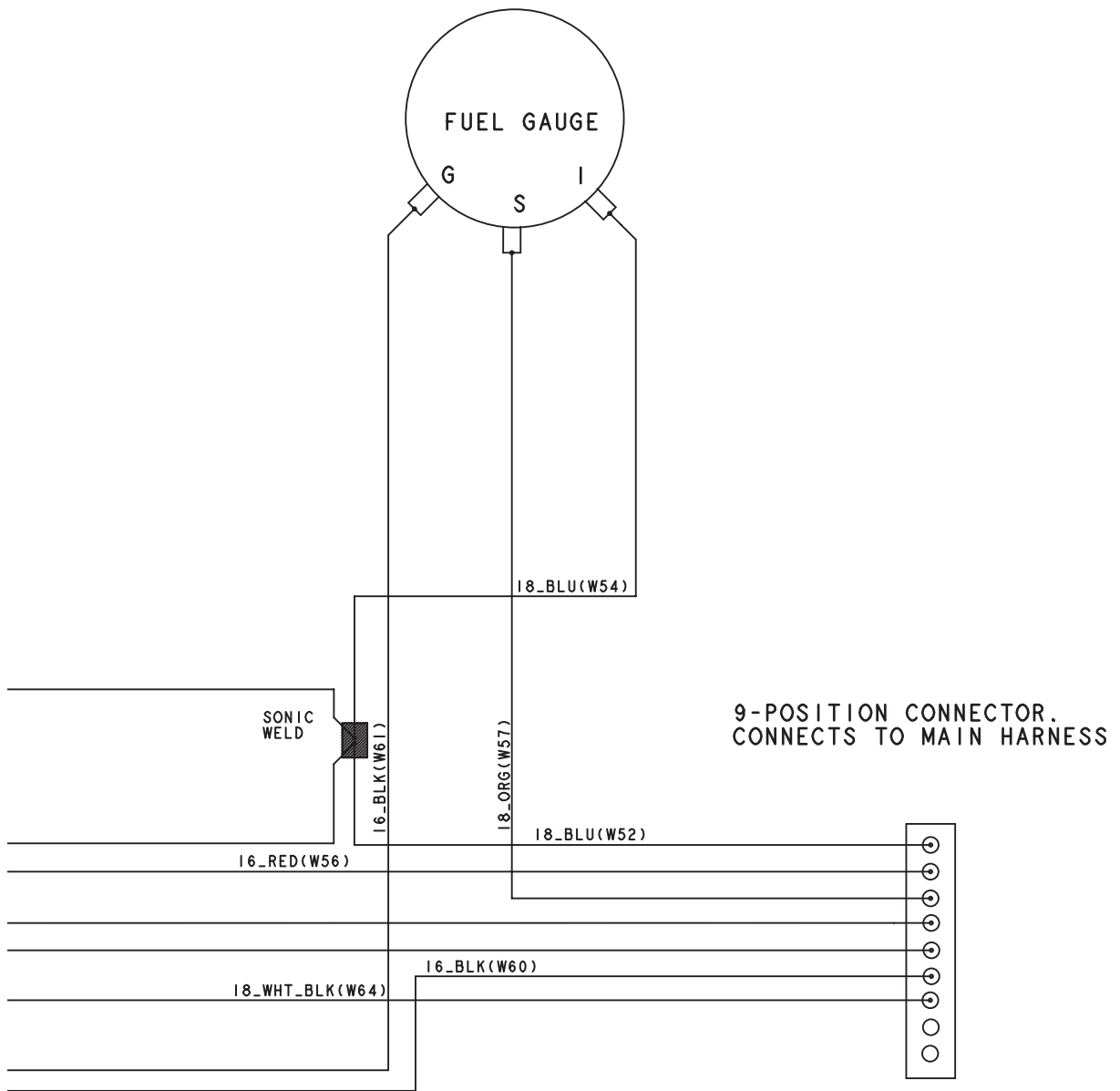
ITEM	PART NO.	DESCRIPTION	QTY
1	102586201	<div style="display: flex; justify-content: space-between; margin-bottom: 5px;"> 1 2 3 4 </div> Main Harness, Gas	1

6

G



000489-001



000489-001

6

G

See previous two pages for illustration.

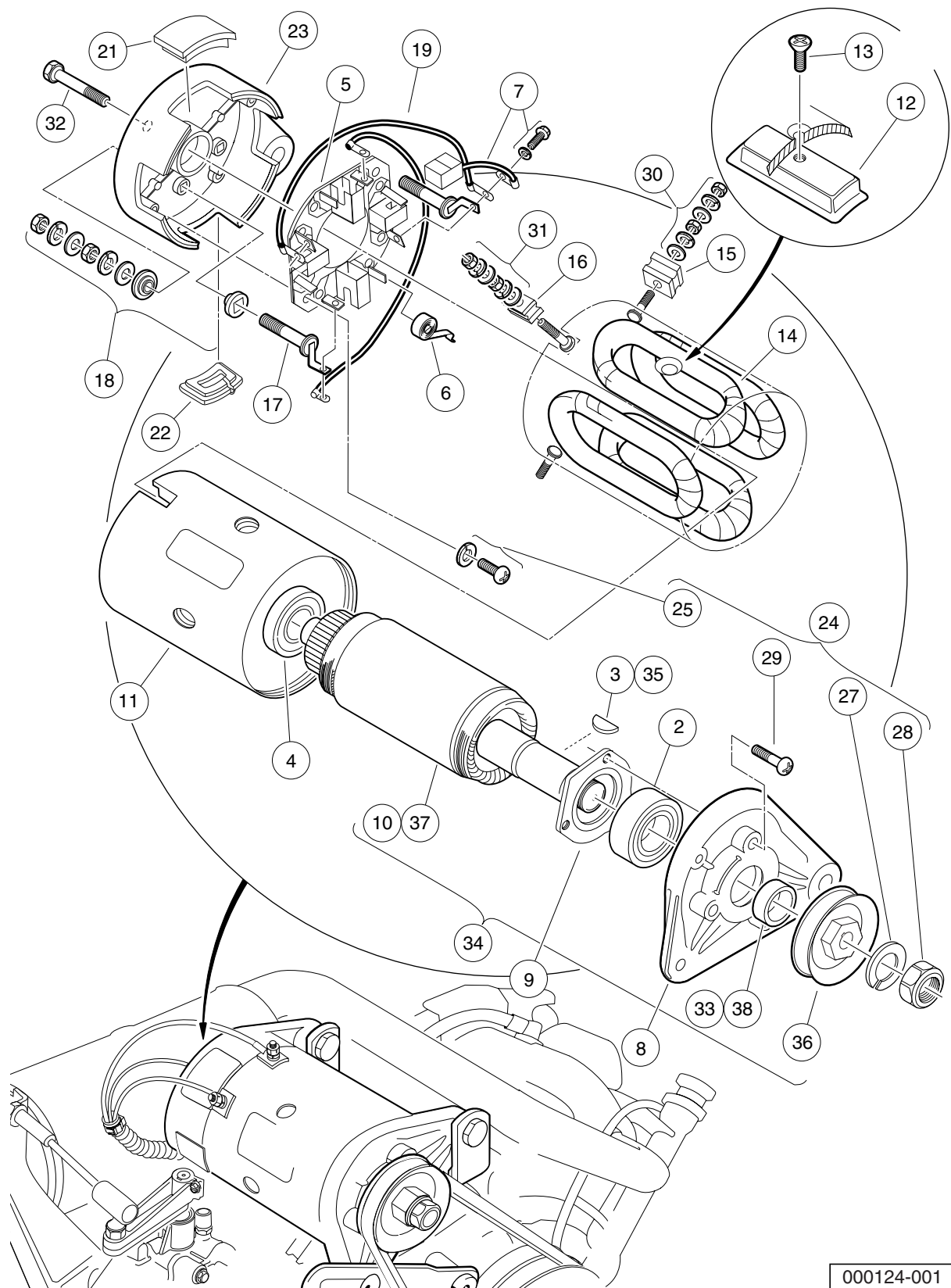
INSTRUMENT PANEL WIRE HARNESS

ITEM	PART NO.	DESCRIPTION	QTY
1	102515001	1 2 3 4 Ip Control Harness, Gas (includes item 2)	1
2	N/A	Connector, Plug 9-pin	1

6

G

6
G



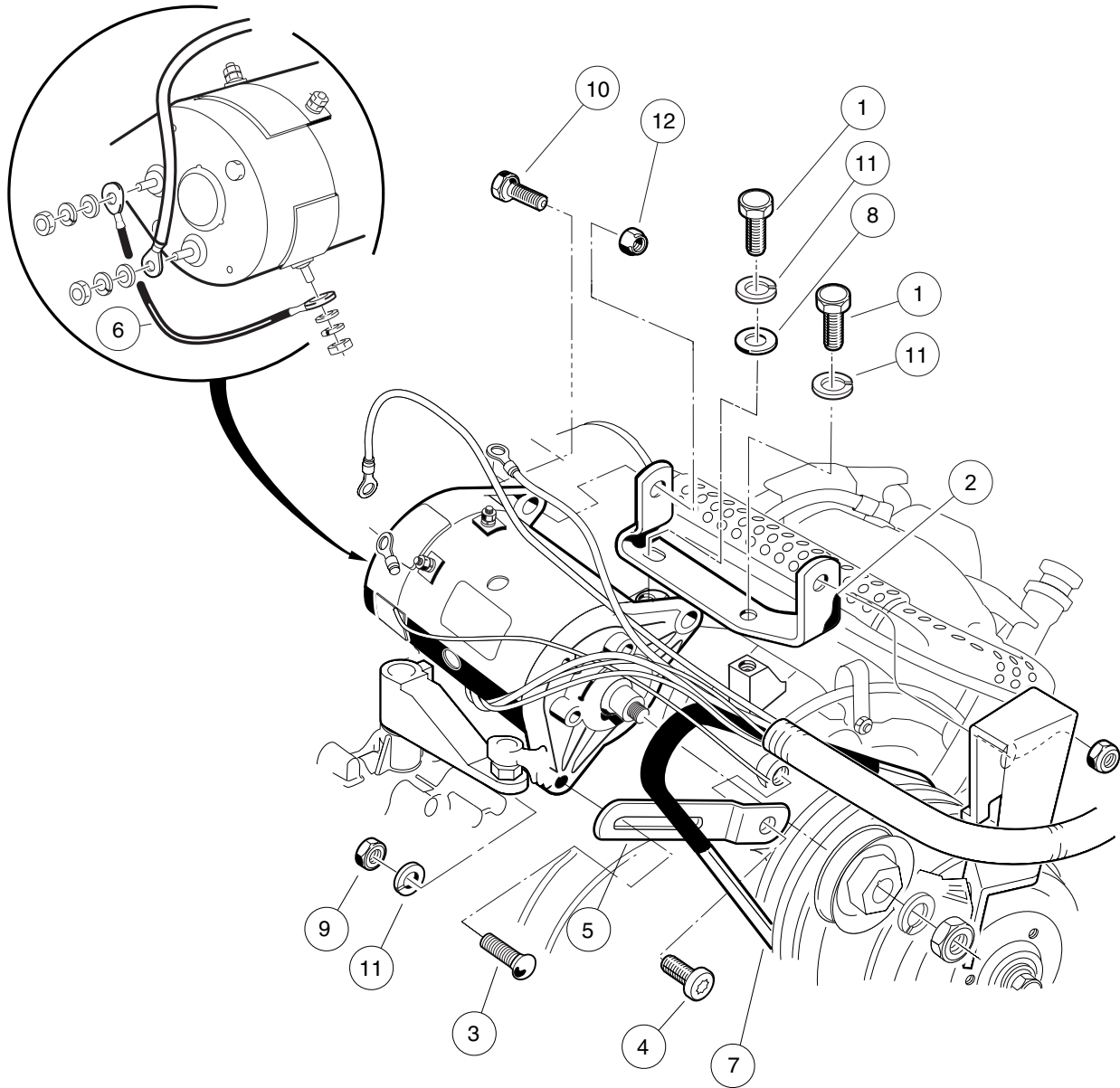
000124-001

STARTER/GENERATOR ASSEMBLY MODEL G425419 – GASOLINE VEHICLES

ITEM	PART NO.	DESCRIPTION	QTY
		1 2 3 4	
1	101833701	Starter/Generator (cw) (includes items 2 through 33)	1
2	1013001	Bearing, Output Shaft Ball	1
3	1013003	Key, Starter/Generator	1
4	1013005	Bearing, Ball	1
5	101301102	Brush Holder Assembly (cw) (includes item 6)	1
6	101878101	Brush Spring Set	4
7	101869302	Brush and Screw Set (cw)	1
8	101874901	Front Bracket	1
9	101875001	Retainer	1
10	N/A	Armature	1
11	101875201	Field Coil Housing	1
12	101875301	Pole Set	1
13	101875401	Screw Set	1
14	101875501	Field Stator Coil Assembly	1
15	101875601	F Insulator Set	2
16	101875701	DF Insulator	1
17	101875802	A Connector (cw)	1
18	101876001	Screw and Mold Assembly	2
19	101876202	Brush Connector Assembly (cw)	2
20	101876301	Cover Set (includes items 21 and 22)	1
21	N/A	Brush Inspection Port Cover	3
22	N/A	Brush Port Cover w/Drain	1
23	101876402	Rear Bracket (cw)	1
24	101876501	Nut and Screw Set (includes items 25 through 29)	1
25	101896501	Brush Holder Asm Screw	2
26	N/A	Washer, M5 Flat	1
27	N/A	Washer, M14 Lock	1
28	N/A	Nut, Hex, M14 x 2	1
29	N/A	Screw, M5 x 0.8 x 18mm	3
30	101877601	Nut and Washer Set	2
31	101877701	Nut and Washer Set	1
32	101879001	Through Bolt Set	2
33	101939901	Spacer	1
34	101875102	Armature Asm Conversion Kit (includes items 35 through 38)	1
35	1013003	Key, Starter/Generator	1
36	1014289	Pulley, Starter/Generator	1
37	N/A	Armature	1
38	101939901	Spacer	1
Note: Item 36 will ONLY fit Model G425419 Starter/Generator.			

6

G



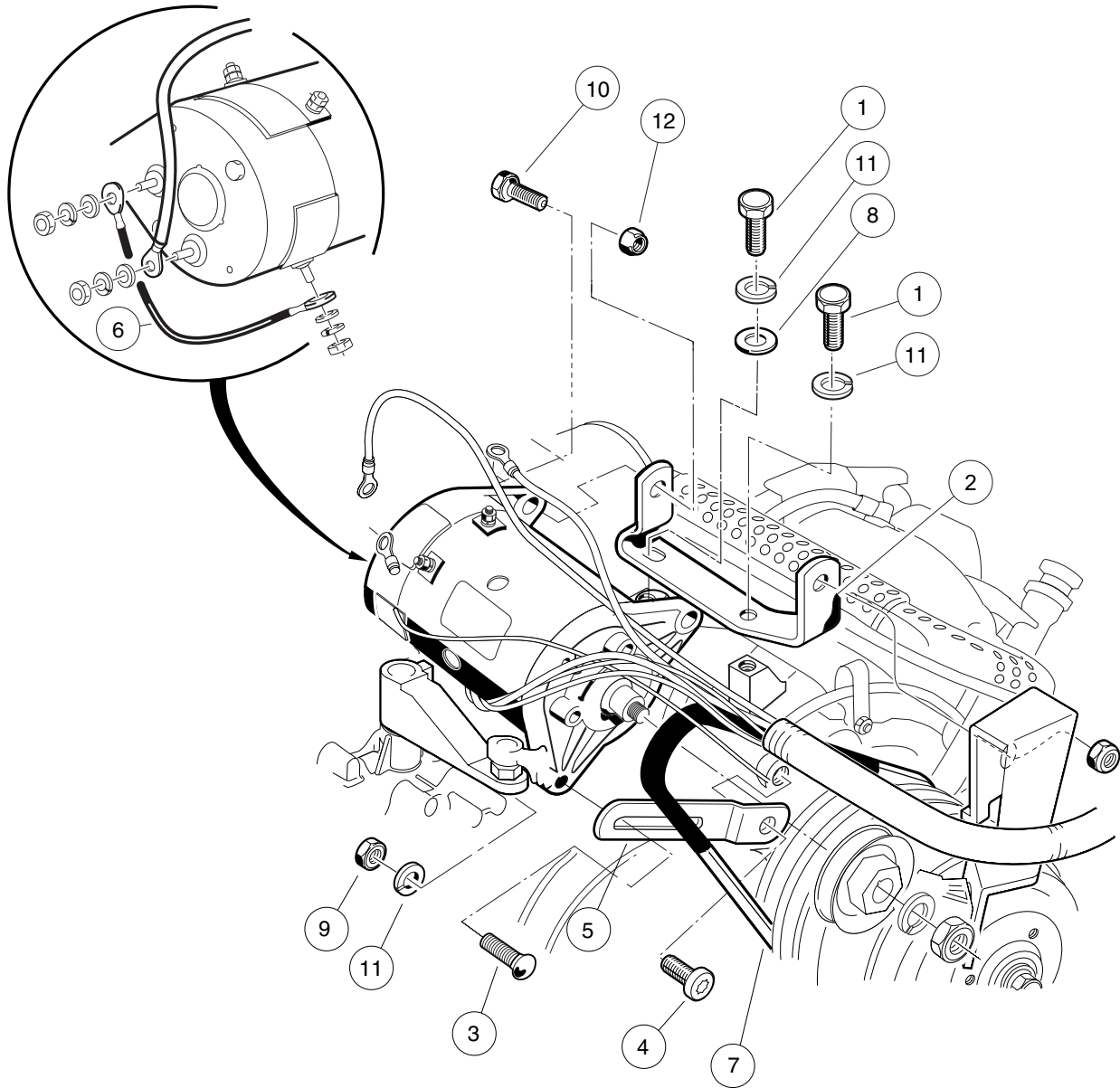
000238-004

STARTER/GENERATOR MOUNTING – FE290

ITEM	PART NO.	DESCRIPTION	QTY
		1 2 3 4	
1	1012830	Screw, M8-125 X 22 Hex-Head	2
2	101524001	Bracket, Starter/Generator Mounting (FE290)	1
3	1015932	Bolt, Carriage, 5/16-18	1
4	1016074	Screw, M8-1.25 X 18mm Torx	1
5	1016883	Bracket, Starter/Generator Adjustment	1
6	101837301	Wire Assy, #6 Green	1
7	101916701	V-Belt	1
8	1241	Washer, 5/16 Type A Flat	1
9	1242	Nut, 5/16-18 Hex	1
10	1624	Screw, 3/8-16 X 1.50 Hex-Head Cap	2
11	7174	Lockwasher, 5/16 Split	3
12	8754	Locknut, 3/8-16 Hex	2

6

G



000238-004

STARTER/GENERATOR MOUNTING – FE350

ITEM	PART NO.	DESCRIPTION	QTY
		1 2 3 4	
1	1012830	Screw, M8-125 X 22 Hex-Head	2
2	101524002	Bracket, Starter/Generator Mounting	1
3	1015932	Bolt, Carriage, 5/16-18	1
4	1016074	Screw, M8-1.25 X 18mm Torx	1
5	1016883	Bracket, Starter/Generator Adjustment	1
6	101837301	Wire Assy, #6 Green	1
7	101916701	V-Belt	1
8	1241	Washer, 5/16 Type A Flat	1
9	1242	Nut, 5/16-18 Hex	1
10	1624	Screw, 3/8-16 X 1.50 Hex-Head Cap	2
11	7174	Lockwasher, 5/16 Split	3
12	8754	Locknut, 3/8-16 Hex	2

6

G

6

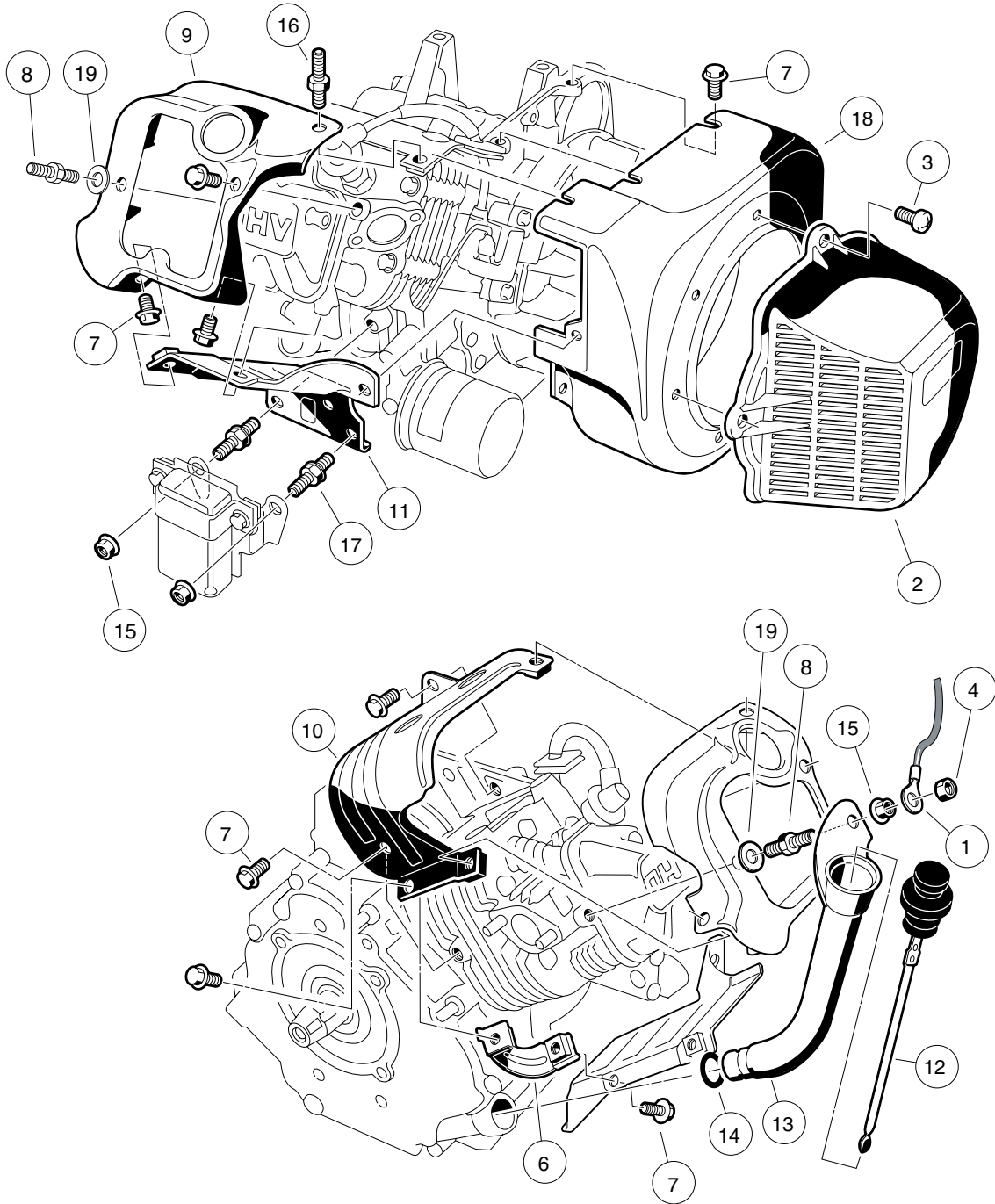
G

FE290 ENGINE

7

G

7
G



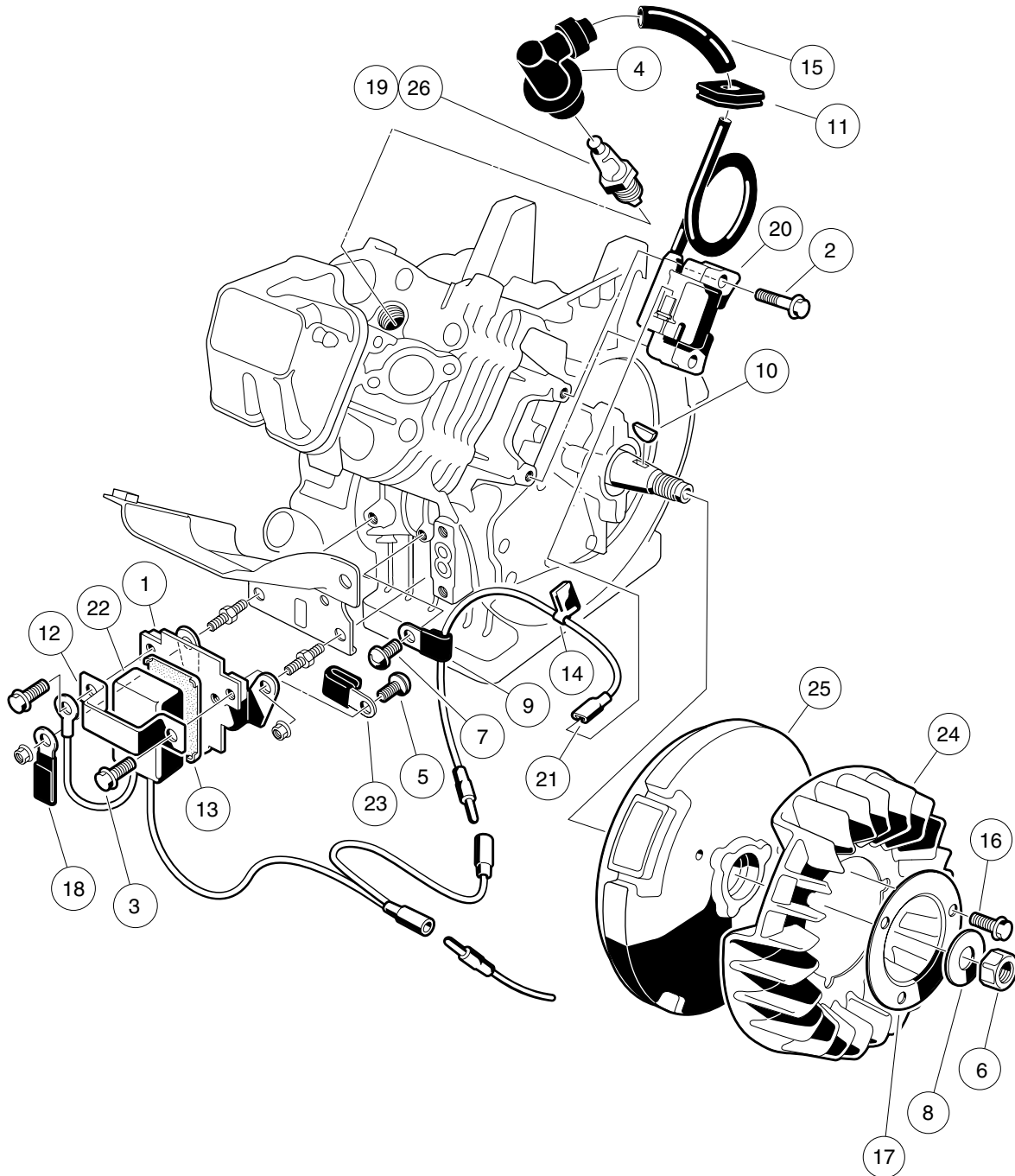
000194-001

FE290 ENGINE – SHROUDS AND BRACKETS

ITEM	PART NO.	DESCRIPTION	QTY
		1 2 3 4	
1	1015332	Wire Assembly, #10, Uninsulated	1
2	1015649	Shroud, Fan	1
3	1015969	Screw, M6-1.00 X 10mm Pan Hd	4
4	101887601	Locknut, M6-1.00 Nylon Insert	1
5	101953901	Engine, FE290 (cw) * (includes items 6 through 19)	1
6	1016443	Bracket	1
7	1016456	Bolt, Flange Head, M6 x 1 x 12 mm	15
8	1016507	Bolt, Two-Ended	1
9	1016524	Shroud, Engine, FE290D	1
10	1016525	Shroud, Engine, FE290D	1
11	1016526	Shroud, Engine, FE290D	1
12	1016531	Dipstick	1
13	1016536	Tube, Oil Filler, FE290D	1
14	1016539	O-Ring	1
15	1016547	Nut	3
16	1017221	Screw, M6-1.00 Stud	1
17	101909701	Stud, M6-1.00, Two-Ended	2
18	101915601	Housing, FE290 Fan	1
19	N/A	Washer, 6 mm Flat	1
* Note: FE290 engine component listings span several pages.			

7

G

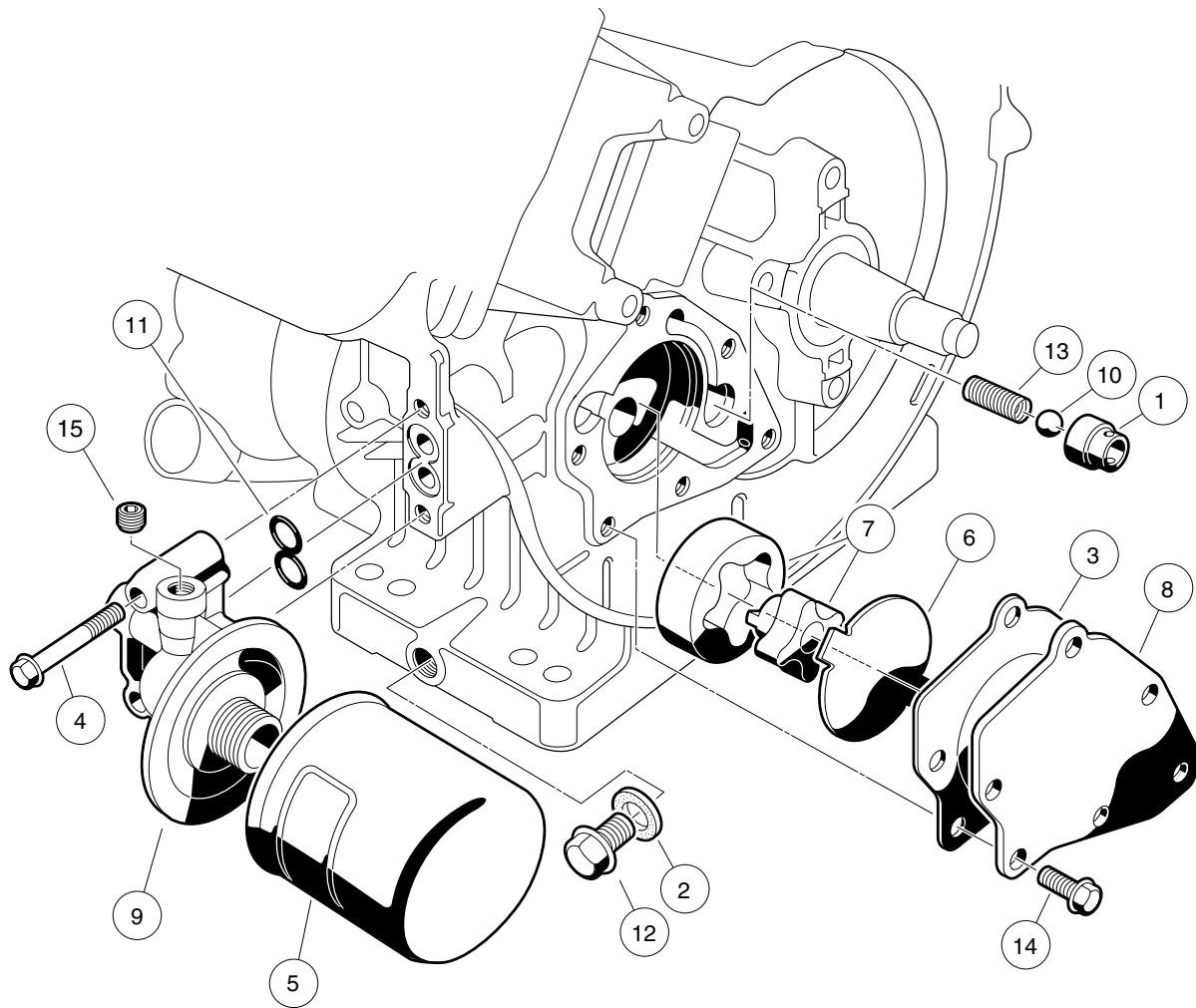


000195-001

FE290 ENGINE – IGNITION COMPONENTS AND FLYWHEEL

ITEM	PART NO.	DESCRIPTION	QTY
		1 2 3 4	
1	1016445	Bracket, RPM Limiter	1
2	1016455	Bolt, Flange Head	2
3	1016456	Bolt, Flange Head, M6 x 1 x 12 mm	2
4	1016493	Cap, Spark Plug	1
5	1016497	Screw, Pan WP Cross	1
6	1016505	Nut, Hex, Fine	1
7	1016544	Screw	1
8	1016548	Washer, M16 Flat	1
9	1016561	Clamp	1
10	1016562	Key	1
11	1016578	Grommet	1
12	1016579	Band, RPM Limiter Mount	1
13	1016586	Damper, RPM Limiter	1
14	1016587	Clamp	1
15	1016588	Tube, 7mm X 10mm X 70mm	1
16	1017448	Bolt, Flanged	3
17	1017455	Plate, Flywheel Fan	1
18	1017468	Clamp	1
19	101881101	Spark Plug, OHV (Autolite)	1
20	101909201	Coil, Ignition	1
21	101909301	Lead Wire Assy	1
22	101909401	Limiter, RPM	1
23	N/A	Clamp, Steel	1
24	101915801	Fan, FE290 (cw)	1
25	101929301	Flywheel, Complete	1
26	AM10724	Spark Plug, OHV (NGK)	1

7
G



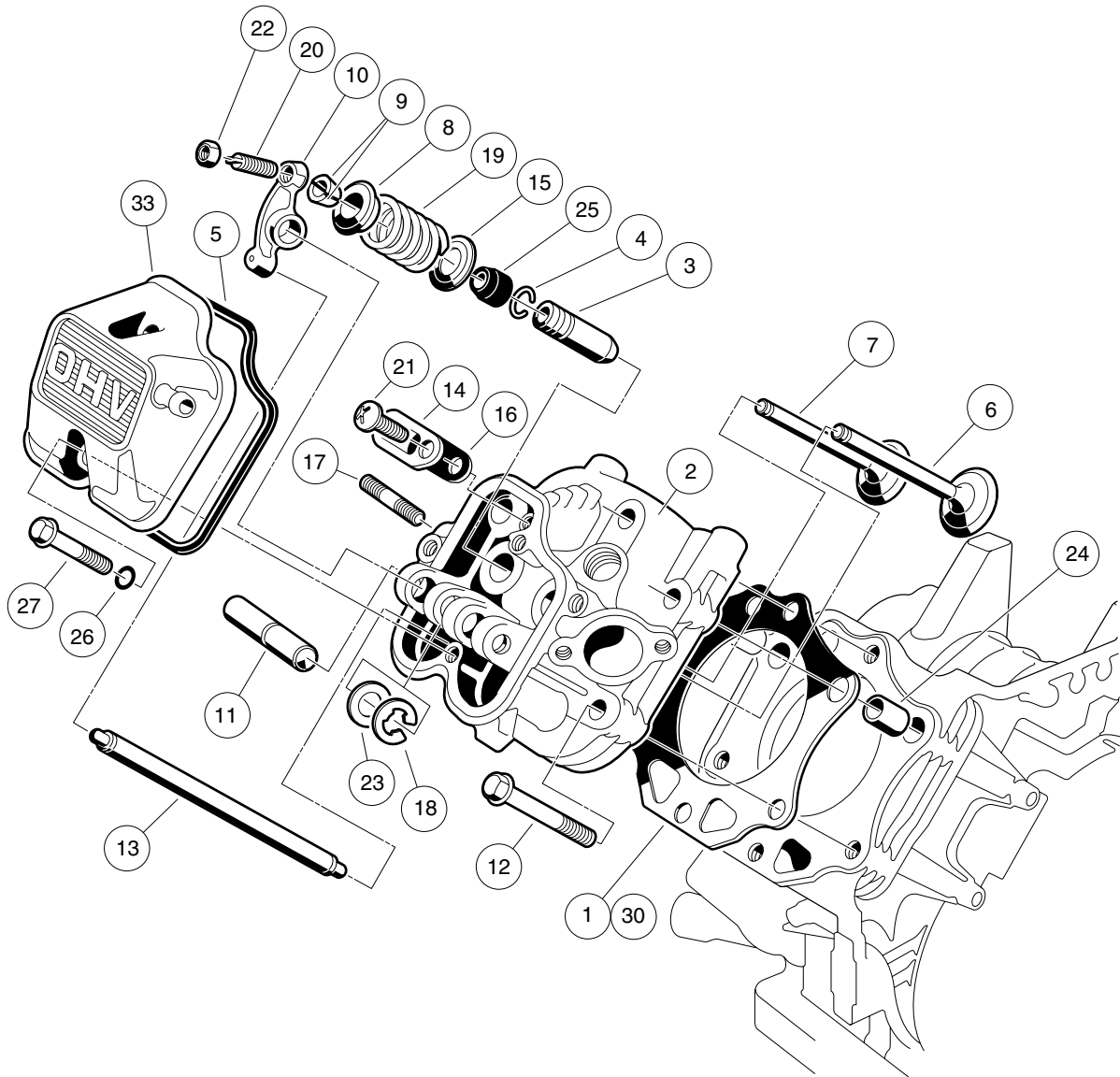
000196-001

FE290 ENGINE – OIL CIRCULATION

ITEM	PART NO.	DESCRIPTION	QTY
		1 2 3 4	
1	1016429	Seat, Value Oil Press Relief	1
2	1016432	Gasket, Drain Plug	1
3	1016435	Gasket, Oil Pump	1
4	1016457	Bolt, Flange Head	2
5	1016467	Filter, Oil	1
6	1016473	Plate, Oil Pump	1
7	101648203	Oil Pump And Rotor	1
8	1016484	Cover, Pump	1
9	1016502	Bracket, Oil Filter Mount	1
10	1016537	Ball, Steel, Press, Relief	1
11	1016570	O-Ring	1
12	1016576	Plug, Drain	1
13	1016581	Spring	1
14	1017456	Bolt, Flanged	6
15	1017507	Plug	2

7

G

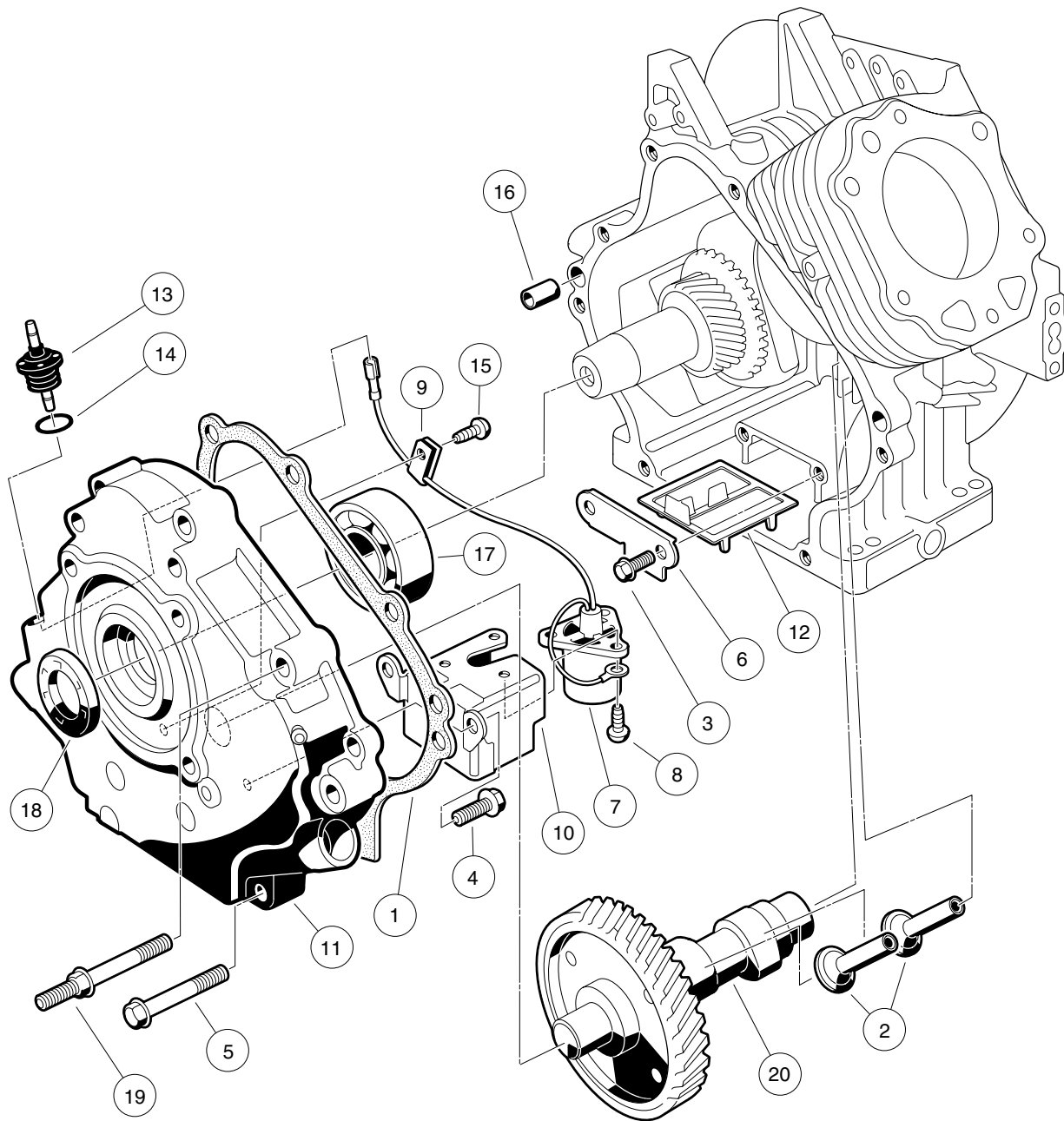


000197-001

FE290 ENGINE – CYLINDER HEAD

ITEM	PART NO.	DESCRIPTION	QTY
		1 2 3 4	
1	1016430	Gasket, Head, FE290	1
2	1016431	Head Assembly, FE290 Cylinder (includes items 3 and 4)	1
3	1016519	Guide, Valve, Intake	2
4	1016560	Snap Ring	2
5	1016436	Gasket, Rocker Case	1
6	1016447	Valve, Intake	1
7	1016448	Valve, Exhaust	1
8	1016449	Retainer, Valve Spring	2
9	1016450	Collet	4
10	N/A	Arm, Rocker	2
11	1016452	Shaft, Rocker	1
12	1016458	Bolt, Flange Head, M8 x 1.25 x 45 mm	6
13	1016471	Rod, Push	2
14	1016474	Plate	1
15	1016479	Seat, Spring	2
16	1016483	Valve	1
17	1016489	Stud, Two-Ended, M8-1.25	2
18	1016517	Circlip, Type-E	1
19	1016523	Spring, Engine Valve	2
20	1016542	Screw	2
21	1016544	Screw	1
22	1016545	Nut	2
23	1016549	Washer, 12.1x19x1.8	1
24	1016563	Pin	2
25	1016566	Seal, Oil	2
26	1016569	O-Ring	2
27	1016583	Bolt, 6x35	2
28	102304701	Kit, Gasket, FE290 (includes items 29 through 32)	1
29	1015330	Gasket, Exhaust	1
30	1016430	Gasket, Head, FE290	1
31	1016440	Gasket, Engine to Insulator	1
32	1016446	Gasket, Crankcase Cover	1
33	102753401	Case, Rocker -w/o Logo Fe290	1

7
G



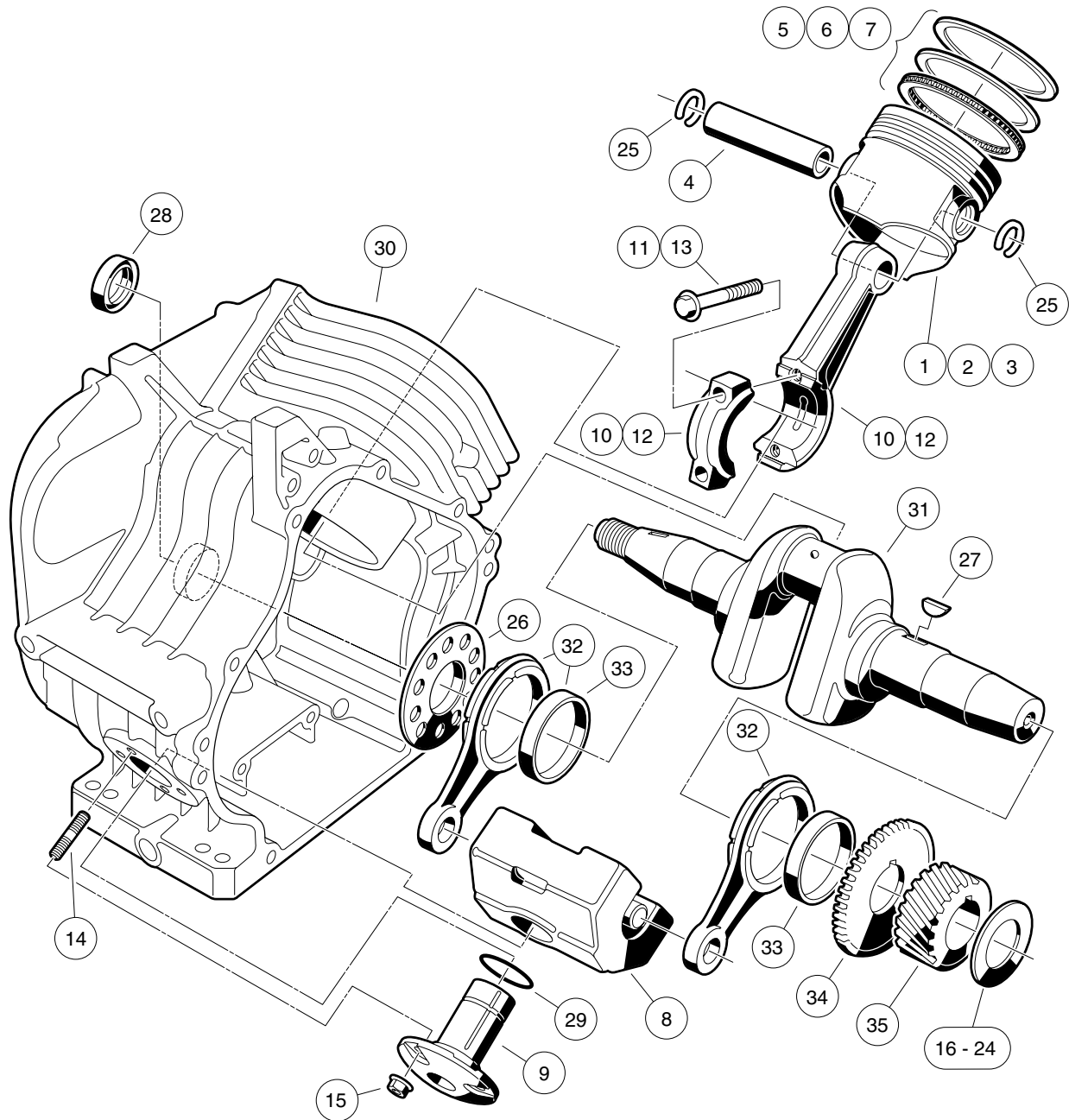
000198-001

FE290 ENGINE – CRANKCASE, CAMSHAFT, AND OIL SENSOR

ITEM	PART NO.	DESCRIPTION	QTY
		1 2 3 4	
1	1016446	Gasket, Crankcase Cover	1
2	1016453	Tappet	2
3	1016454	Bolt, Flange Head, M5 x 0.8 x 8 mm	2
4	1016456	Bolt, Flange Head, M6 x 1 x 12 mm	2
5	1016458	Bolt, Flange Head, M8 x 1.25 x 45 mm	6
6	1016472	Plate, Oil Filter Screen	1
7	1016494	Sensor, Oil Level	1
8	1016496	Screw, Cross Pan-Head, M4 x 0.7 x 8 mm	3
9	1016506	Clamp	1
10	1016510	Bracket, Switch, Oil Level	1
11	1016520	Cover, Crankcase	1
12	1016521	Screen, Oil Filter	1
13	1016535	Connector, Cord	1
14	1016538	O-Ring	1
15	1016544	Screw	1
16	1016564	Pin	2
17	1016565	Bearing, Ball	1
18	1016567	Seal, Crankshaft	1
19	1016584	Bolt, Two-Ended, M8 x 1.25 x 69 mm	2
20	101915401	Camshaft Complete, FE290	1

7

G



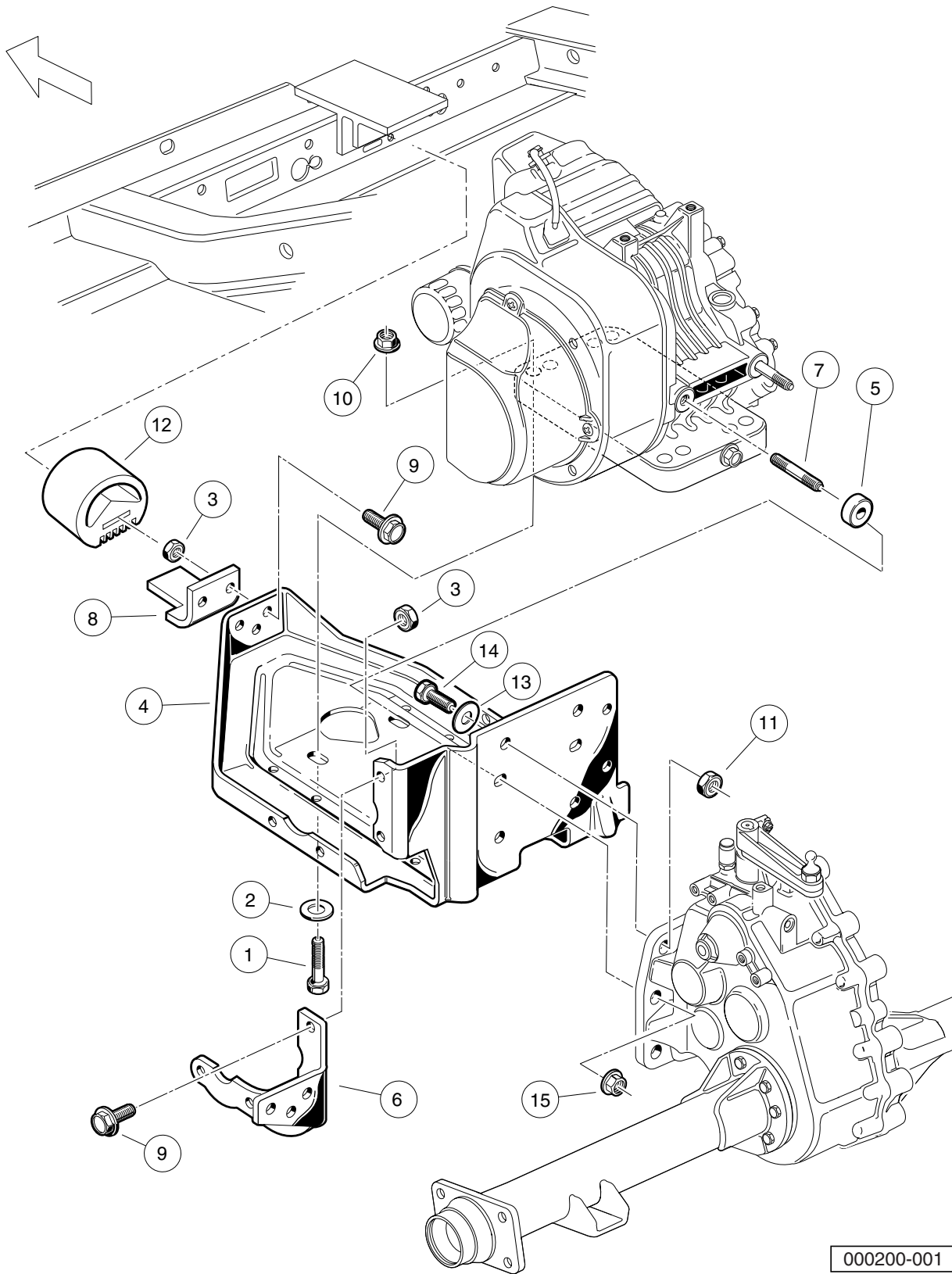
000199-001

FE290 ENGINE – CRANKCASE AND CRANKSHAFT

ITEM	PART NO.	DESCRIPTION	QTY
		1 2 3 4	
1	101645901	Piston	1
2	101645902	Piston, Engine 0.25 mm Over	1
3	101645903	Piston, Engine 0.50 mm Over	1
4	1016460	Pin, Piston	1
5	101646101	Ring Set, Piston	1
6	101646102	Ring Set, Piston 0.25 mm Over	1
7	101646103	Ring Set, Piston 0.50 mm Over	1
8	1016469	Weight, Counterbalance	1
9	1016470	Shaft, Guide, Counterbalance	1
10	101647501	Rod Assembly (includes item 11)	1
11	1016509	Bolt	2
12	101647502	Rod Assembly, Connecting 0.50 mm Under (includes item 13)	1
13	1016509	Bolt	2
14	1016541	Stud, 6x14	4
15	1016547	Nut	4
16	101655001	Shim, Crankshaft T=1.13	A/R
17	101655002	Shim, Crankshaft T=1.18	A/R
18	101655003	Shim, Crankshaft T=1.23	A/R
19	101655004	Shim, Crankshaft T=1.28	A/R
20	101655005	Shim, Crankshaft T=1.33	A/R
21	101655006	Shim, Crankshaft T=1.38	A/R
22	101655007	Shim, Crankshaft T=1.43	A/R
23	101655008	Shim, Crankshaft T=1.48	A/R
24	101655009	Shim, Crankshaft T=1.53	A/R
25	1016558	Ring, Snap	2
26	1016559	Spacer	1
27	1016562	Key	1
28	1016568	Seal, Oil	1
29	1016571	O-Ring	1
30	101915501	Crankcase Complete, FE290 (cw)	1
31	101922301	Crankshaft, FE290 Left-Hand Thread (includes items 32 through 35)	1
32	1016516	Rod (includes item 33)	2
33	1016580	Bearing, Plane	1
34	1016532	Gear, Spur	1
35	1016533	Gear, Helical	1

7
G

7
G



000200-001

FE290 ENGINE MOUNTING

ITEM	PART NO.	DESCRIPTION	QTY
		1 2 3 4	
1	1010577	Bolt, Hex-Head, 5/16-18 X 1.50	4
2	1012571	Washer, 5/16 Extra Thick Flat	4
3	1013924	Nut, 5/16-24 Hex Head Cone	6
4	101827101	Plate, Engine Mounting	1
5	101832101	Spacer, Powdered Metal	2
6	101832701	Stiffener (Flywheel Side)	1
7	101833201	Stud, M8-1.25 X 60mm Two-Ended	2
8	101834601	Snubber Bracket	1
9	101884801	Screw, 5/16-24 X 0.875 Grade-8	6
10	101963401	Locknut, 5/16-18 Hex Flange	4
11	102065901	Locknut, 3/8-16 Flanged Dimple	4
12	102540301	Inner Frame Snubber	1
13	334	Washer, 3/8 Type A Flat	4
14	705	Screw, Cap-hex Hd 3/8-16x1.25	4
15	96704416	Nut Flg, M8 X 1.25 Serrated	2

7

G

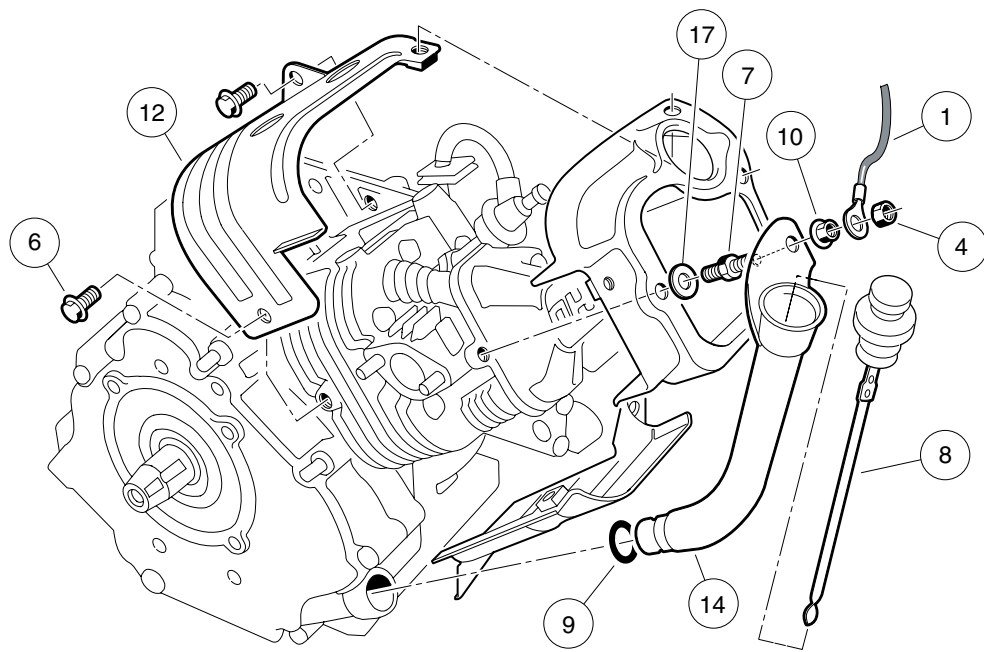
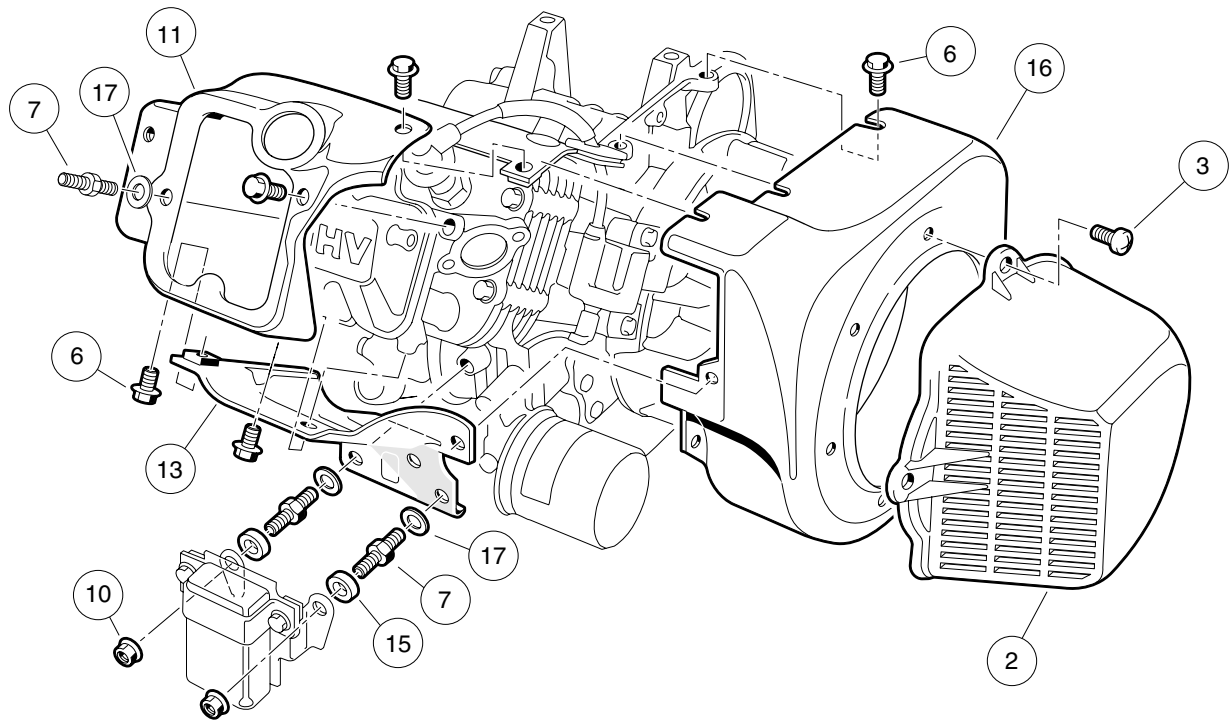
7

G

FE350 ENGINE

8

G



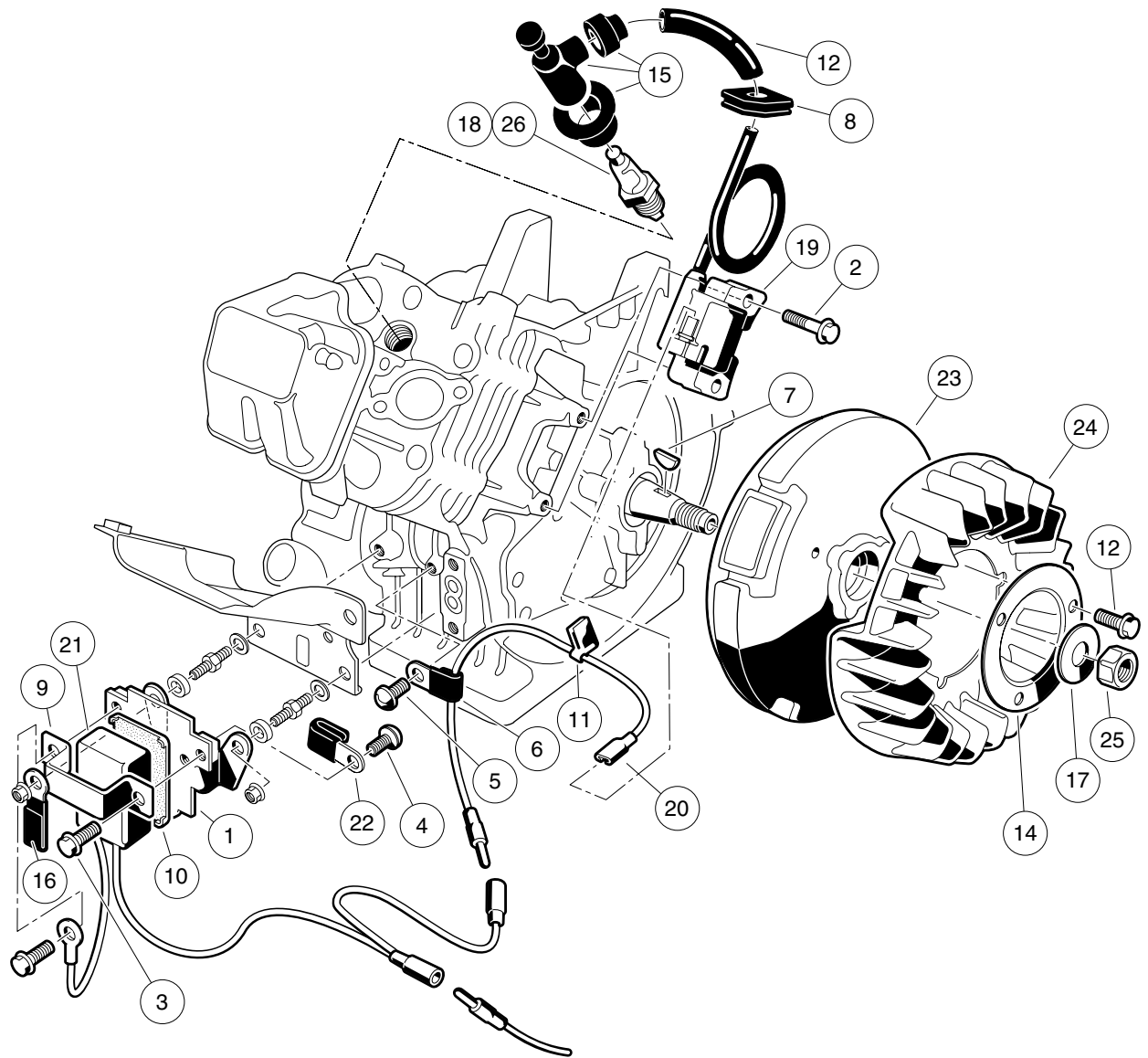
000201-001

FE350 ENGINE WITHOUT ACR (AUTOMATIC COMPRESSION RELEASE) – SHROUDS AND BRACKETS

ITEM	PART NO.	DESCRIPTION	QTY
		1 2 3 4	
1	1015332	Wire Assembly, #10, Uninsulated	1
2	1015649	Shroud, Fan	1
3	1015969	Screw, M6-1.00 X 10mm Pan Hd	4
4	101887601	Locknut, M6-1.00 Nylon Insert	1
5	101953802	Engine, FE350 (cw) without ACR * (includes items 6 through 17)	1
6	1016456	Bolt, Flange Head, M6 x 1 x 12 mm	14
7	1016507	Bolt, Two-Ended	3
8	1016531	Dipstick	1
9	1016539	O-Ring	1
10	1016547	Nut	3
11	1017474	Shroud, Engine	1
12	1017475	Shroud, Engine	1
13	1017476	Shroud, Engine	1
14	1017486	Tube, Oil Filler	1
15	1017500	Spacer 6.50 X 12 X 5.5	2
16	101916101	Housing, FE350 Fan	1
17	N/A	Washer, 6mm Flat	3
* Note: FE350 engine component listings span several pages.			

8

G

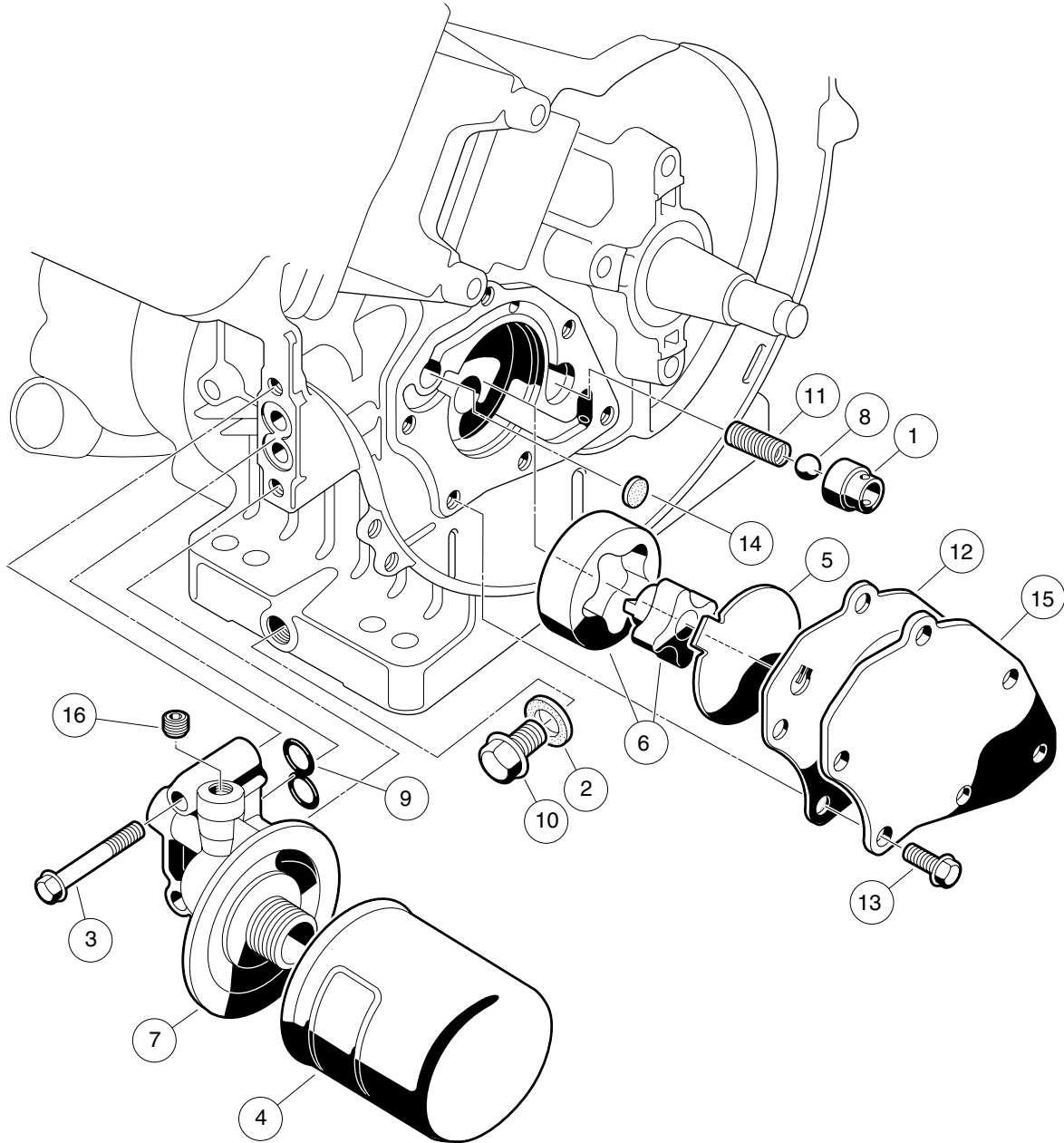


000202-001

FE350 ENGINE – IGNITION COMPONENTS AND FLYWHEEL

ITEM	PART NO.	DESCRIPTION	QTY
		1 2 3 4	
1	1016445	Bracket, RPM Limiter	1
2	1016455	Bolt, Flange Head	2
3	1016456	Bolt, Flange Head, M6 x 1 x 12 mm	2
4	1016497	Screw, Pan WP Cross	1
5	1016544	Screw	1
6	1016561	Clamp	1
7	1016562	Key	1
8	1016578	Grommet	1
9	1016579	Band, RPM Limiter Mount	1
10	1016586	Damper, RPM Limiter	1
11	1016587	Clamp	1
12	1016588	Tube, 7mm X 10mm X 70mm	1
13	1017448	Bolt, Flanged	3
14	1017455	Plate, Flywheel Fan	1
15	1017463	Cap Asm Plug	1
16	1017468	Clamp	1
17	1017490	Washer, Flat	1
18	101881101	Spark Plug, OHV (Autolite)	1
19	101909201	Coil, Ignition	1
20	101909301	Lead Wire Assy	1
21	101909401	Limiter, RPM	1
22	N/A	Clamp, Steel	1
23	101916201	Flywheel	1
24	101916301	Fan (cw)	1
25	N/A	Nut, Hex, 18 mm Fine	1
26	AM10724	Spark Plug, OHV (NGK)	1

8
G



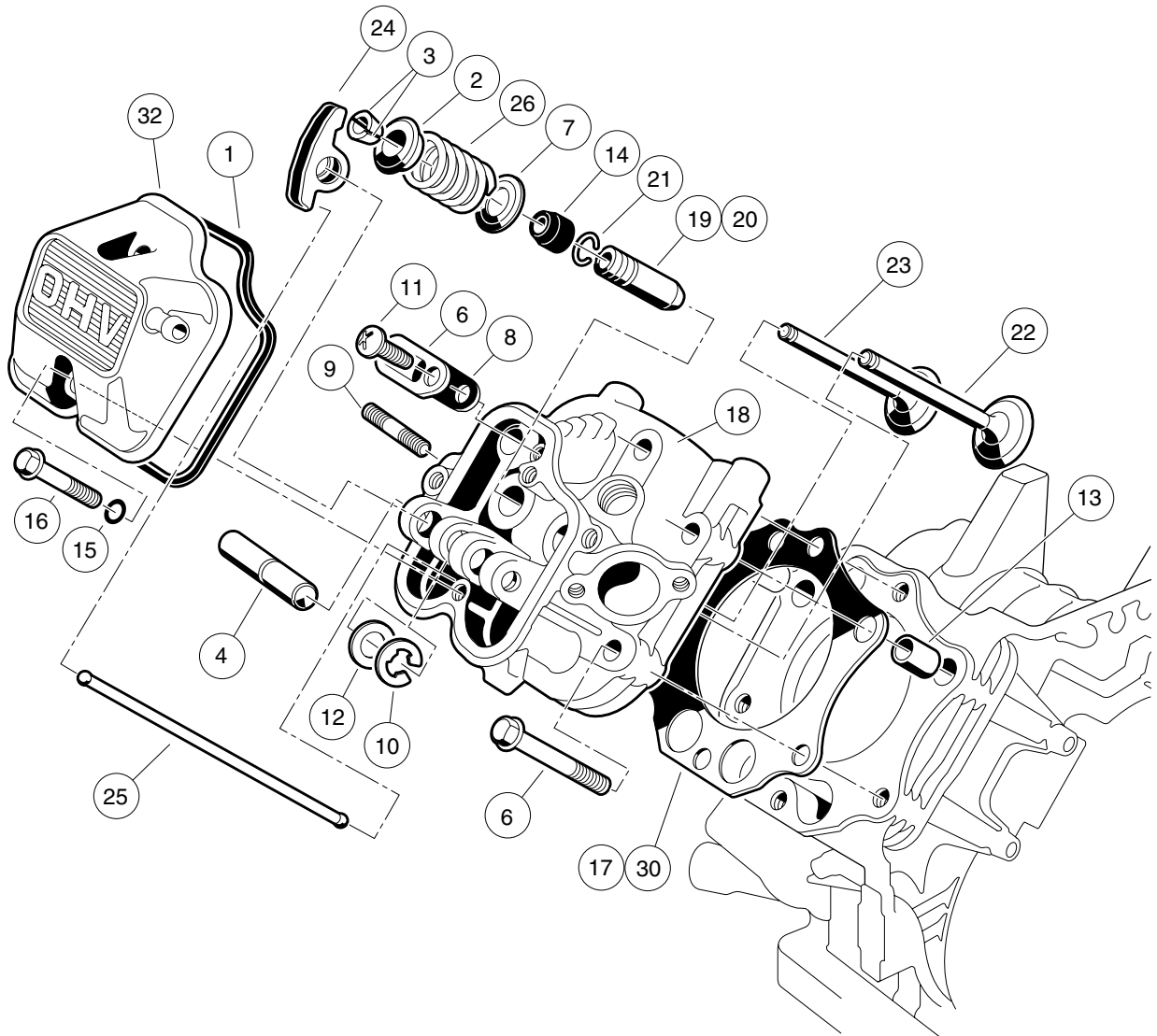
000203-001

FE350 ENGINE – OIL CIRCULATION

ITEM	PART NO.	DESCRIPTION	QTY
		1 2 3 4	
1	1016429	Seat, Value Oil Press Relief	1
2	1016432	Gasket, Drain Plug	1
3	1016457	Bolt, Flange Head	2
4	1016467	Filter, Oil	1
5	1016473	Plate, Oil Pump	1
6	101648203	Oil Pump And Rotor	1
7	1016502	Bracket, Oil Filter Mount	1
8	1016537	Ball, Steel, Press, Relief	1
9	1016570	O-Ring	1
10	1016576	Plug, Drain	1
11	1016581	Spring	1
12	1017442	Gasket	1
13	1017456	Bolt, Flanged	6
14	1017458	Filter	1
15	1017460	Cover, Pump	1
16	1017507	Plug	2

8

G



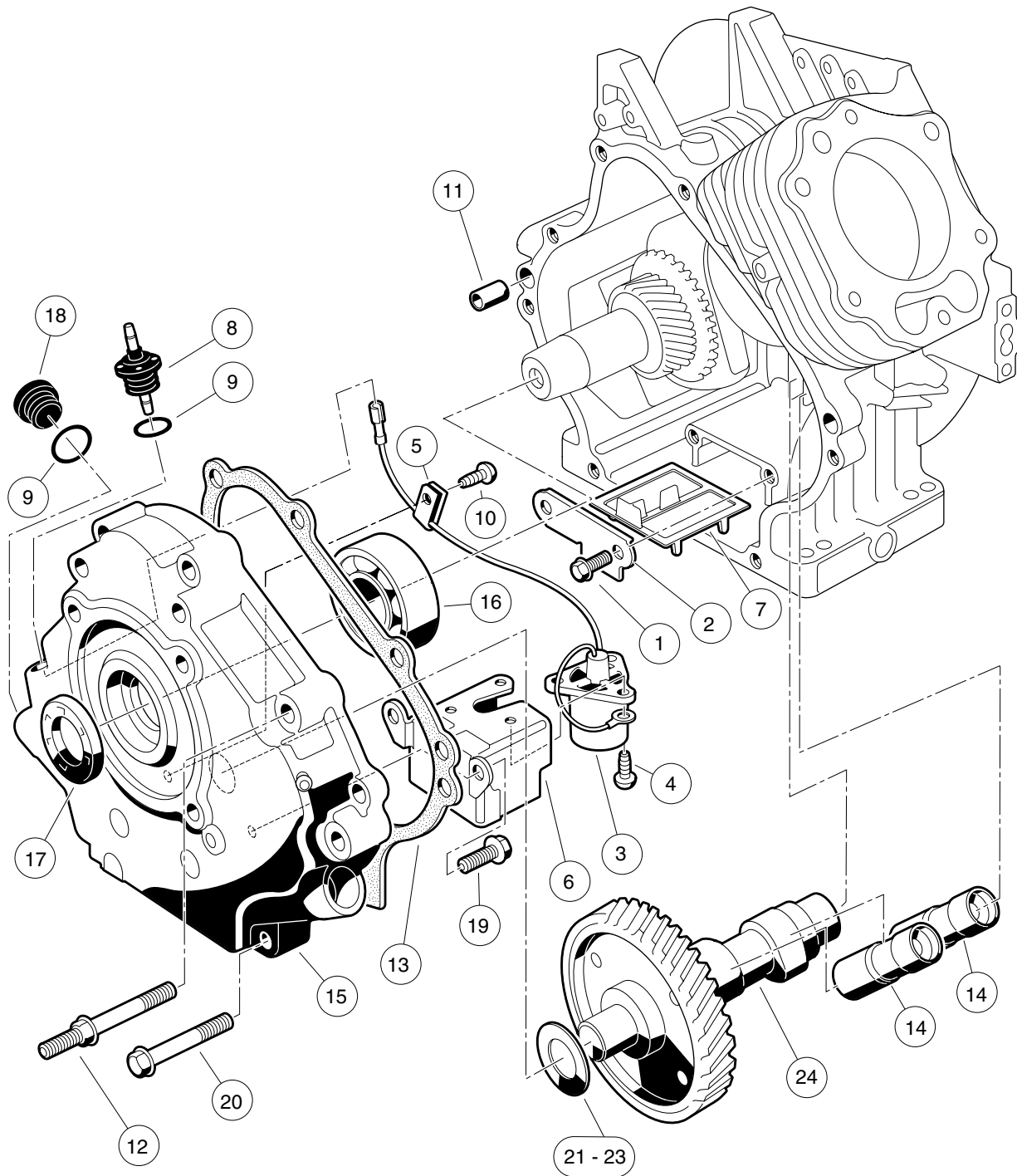
000204-001

FE350 ENGINE – CYLINDER HEAD

ITEM	PART NO.	DESCRIPTION	QTY
		1 2 3 4	
1	1016436	Gasket, Rocker Case	1
2	1016449	Retainer, Valve Spring	2
3	1016450	Collet	4
4	1016452	Shaft, Rocker	1
5	1016458	Bolt, Flange Head, M8 x 1.25 x 45 mm	6
6	1016474	Plate	1
7	1016479	Seat, Spring	2
8	1016483	Valve	1
9	1016489	Stud, Two-Ended, M8-1.25	2
10	1016517	Circlip, Type-E	1
11	1016544	Screw	1
12	1016549	Washer, 12.1x19x1.8	1
13	1016563	Pin	2
14	1016566	Seal, Oil	2
15	1016569	O-Ring	2
16	1016583	Bolt, 6x35	2
17	1017434	Gasket, Head	1
18	1017435	Assembly, Cylinder Head, FE350 (includes items 19 through 21)	1
19	1016518	Guide, Valve, Exhaust	1
20	1016519	Guide, Valve, Intake	1
21	1016560	Snap Ring	2
22	1017444	Valve, Intake	1
23	1017445	Valve, Exhaust	1
24	1017446	Arm, Rocker	2
25	1017454	Rod, Push	2
26	1017473	Spring, Engine Valve	2
27	102304801	Kit, Gasket, FE350 (includes items 28 through 31)	1
28	1016440	Gasket, Engine to Insulator	1
29	1016904	Gasket, Exhaust	1
30	1017434	Gasket, Head	1
31	1017443	Gasket, Crankcase Cover	1
32	102753401	Case, Rocker -w/o Logo Fe290	1
		Note: Item 28 is not a component of the FE350 engine.	

8

G



000205-002

FE350 ENGINE WITHOUT ACR – CRANKCASE, CAMSHAFT, AND OIL SENSOR

ITEM	PART NO.	DESCRIPTION	QTY
		1 2 3 4	
1	1016454	Bolt, Flange Head, M5 x 0.8 x 8 mm	2
2	1016472	Plate, Oil Filter Screen	1
3	1016494	Sensor, Oil Level	1
4	1016496	Screw, Cross Pan-Head, M4 x 0.7 x 8 mm	3
5	1016506	Clamp	1
6	1016510	Bracket, Switch, Oil Level	1
7	1016521	Screen, Oil Filter	1
8	1016535	Connector, Cord	1
9	1016538	O-Ring	2
10	1016544	Screw	1
11	1016564	Pin	2
12	1016584	Bolt, Two-Ended, M8 x 1.25 x 69 mm	2
13	1017443	Gasket, Crankcase Cover	1
14	1017447	Adjuster, Lash	2
15	1017472	Cover Crankcase	1
16	1017487	Bearing, Ball	1
17	1017504	Seal, Oil	1
18	1017508	Plug	1
19	1017513	Bolt	2
20	1017514	Screw, M8-1.25 X 45mm Hex	6
21	101751801	Shim, 0.3	A/R
22	101751802	Shim, 0.4	A/R
23	101751803	Shim, 0.5	A/R
24	102431001	Camshaft, FE350 without ACR, 44-Tooth	1

8
G

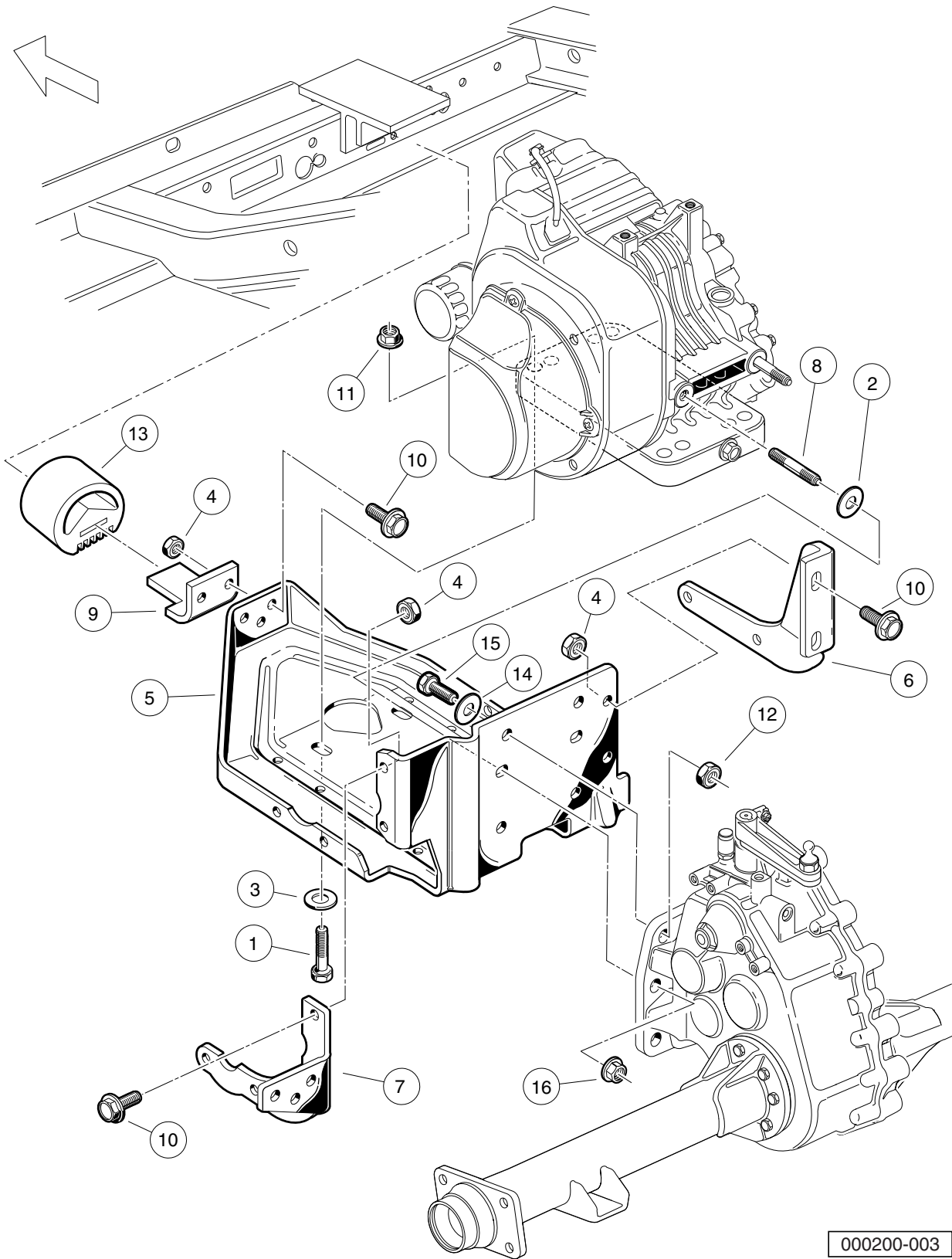
FE350 ENGINE – CRANKCASE AND CRANKSHAFT

ITEM	PART NO.	DESCRIPTION	QTY
		1 2 3 4	
1	1016470	Shaft, Guide, Counterbalance	1
2	1016541	Stud, 6x14	4
3	1016547	Nut	4
4	1016571	O-Ring	1
5	101744901	Piston, Standard	1
6	101744902	Piston, 0.50 mm Oversize	1
7	1017450	Pin, Piston	1
8	101745101	Ring Set, Standard Piston	1
9	101745102	Ring Set, Piston, 0.50 mm Oversize	1
10	1017453	Weight (includes item 11)	1
11	1017510	Bearing, Plain	1
12	101745701	Asm, Con. Rod Std (includes item 13)	1
13	1017512	Bolt	2
14	101745702	Rod Assembly Connecting Rod 0.5mm (includes item 15)	1
15	1017512	Bolt	2
16	1017501	Spacer	1
17	1017502	Snap Ring	2
18	1017503	Seal, Oil	1
19	101773301	Shim, Crankshaft, 1.18mm	A/R
20	101773302	Shim, Crankshaft, 1.25mm	A/R
21	101773303	Shim, Crankshaft, 1.32mm	A/R
22	101773304	Shim, Crankshaft, 1.39mm	A/R
23	101773305	Shim, Crankshaft, 1.46mm	A/R
24	101773306	Shim, Crankshaft, 1.53mm	A/R
25	101773307	Shim, Crankshaft, 1.60mm	A/R
26	101773308	Shim, Crankshaft, 1.67mm	A/R
27	101773309	Shim, Crankshaft, 1.74mm	A/R
28	101773310	Shim, Crankshaft, 1.11mm	A/R
29	101773311	Shim, Crankshaft, 1.81mm	A/R
30	101916001	Crankcase Complete, FE350 (cw)	1
31	102430901	Crankshaft, FE350 Left-Hand, 22-Tooth (includes items 32 through 35)	1
32	1016562	Key	1
33	1017471	Rod	2
34	N/A	Gear, Helical	1
35	N/A	Gear, Spur	1

8

G

8
G



000200-003

FE350 ENGINE MOUNTING

ITEM	PART NO.	DESCRIPTION	QTY
		1 2 3 4	
1	1010577	Bolt, Hex-Head, 5/16-18 X 1.50	4
2	1011697	Washer, 5/16 Flat	2
3	1012571	Washer, 5/16 Extra Thick Flat	4
4	1013924	Nut, 5/16-24 Hex Head Cone	10
5	101827101	Plate, Engine Mounting	1
6	101832601	Stiffener (PTO Side)	1
7	101832701	Stiffener (Flywheel Side)	1
8	101833101	Stud, M8-1.25 X 50 mm Two-Ended	2
9	101834601	Snubber Bracket	1
10	101884801	Screw, 5/16-24 X 0.875 Grade-8	10
11	101963401	Locknut, 5/16-18 Hex Flange	4
12	102065901	Locknut, 3/8-16 Flanged Dimple	4
13	102540301	Inner Frame Snubber	1
14	334	Washer, 3/8 Type A Flat	4
15	705	Screw, Cap-hex Hd 3/8-16x1.25	4
16	96704416	Nut Flg, M8 X 1.25 Serrated	2

8

G

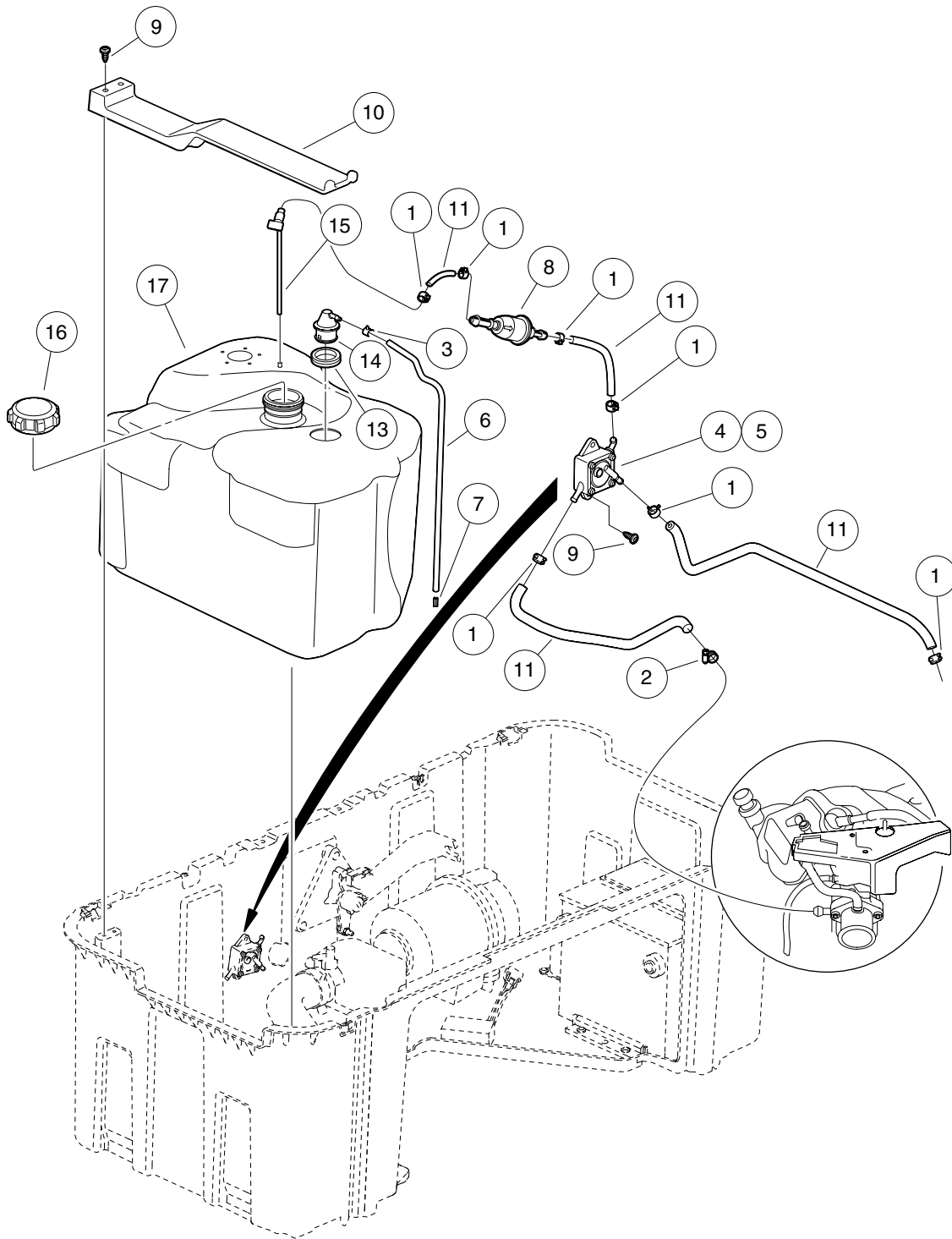
8

G

FUEL, INTAKE, AND GOVERNOR SYSTEMS

9

G



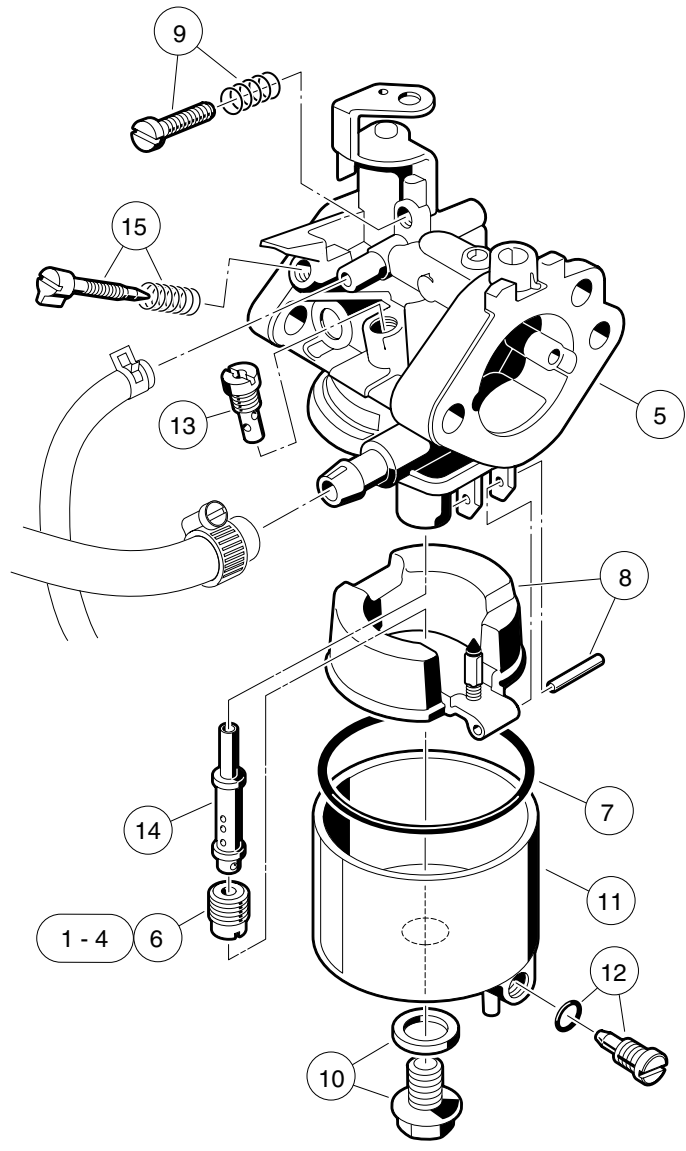
000449-001

FUEL SYSTEM

ITEM	PART NO.	DESCRIPTION	QTY
		1 2 3 4	
1	1012649	Clamp, 0.460 Red Hose	7
2	1013687	Clamp, 3/8" Hose (screw type)	1
3	1013746	Clamp, 0.301 ID Hose	2
4	1014523	Pump, Impulse Fuel	1
5	1014524	Kit, Impulse Pump Rebuild	1
6	1015137	Fuel Line (available by the foot)	A/R
7	101824401	Vent Barb	1
8	102003201	Filter, Fuel, 30 Micron	1
9	102296020	Screw, Torx Pan Hd Pt, M6 X 20	2
10	102514201	Hold-down - Fuel Tank	1
11	102865101	Fuel Line	A/R
12	102952202	Asm, Tank, Fuel (includes items 13 through 17)	1
13	1015139	Insulation Grommet	1
14	1015143	Vent, Fuel Tank	1
15	102513701	Valve - Fuel Pickup Tube	1
16	102751601	Cap, Fuel Tank, Gasoline	1
17	N/A	Tank, Fuel, Prec	1

9

G



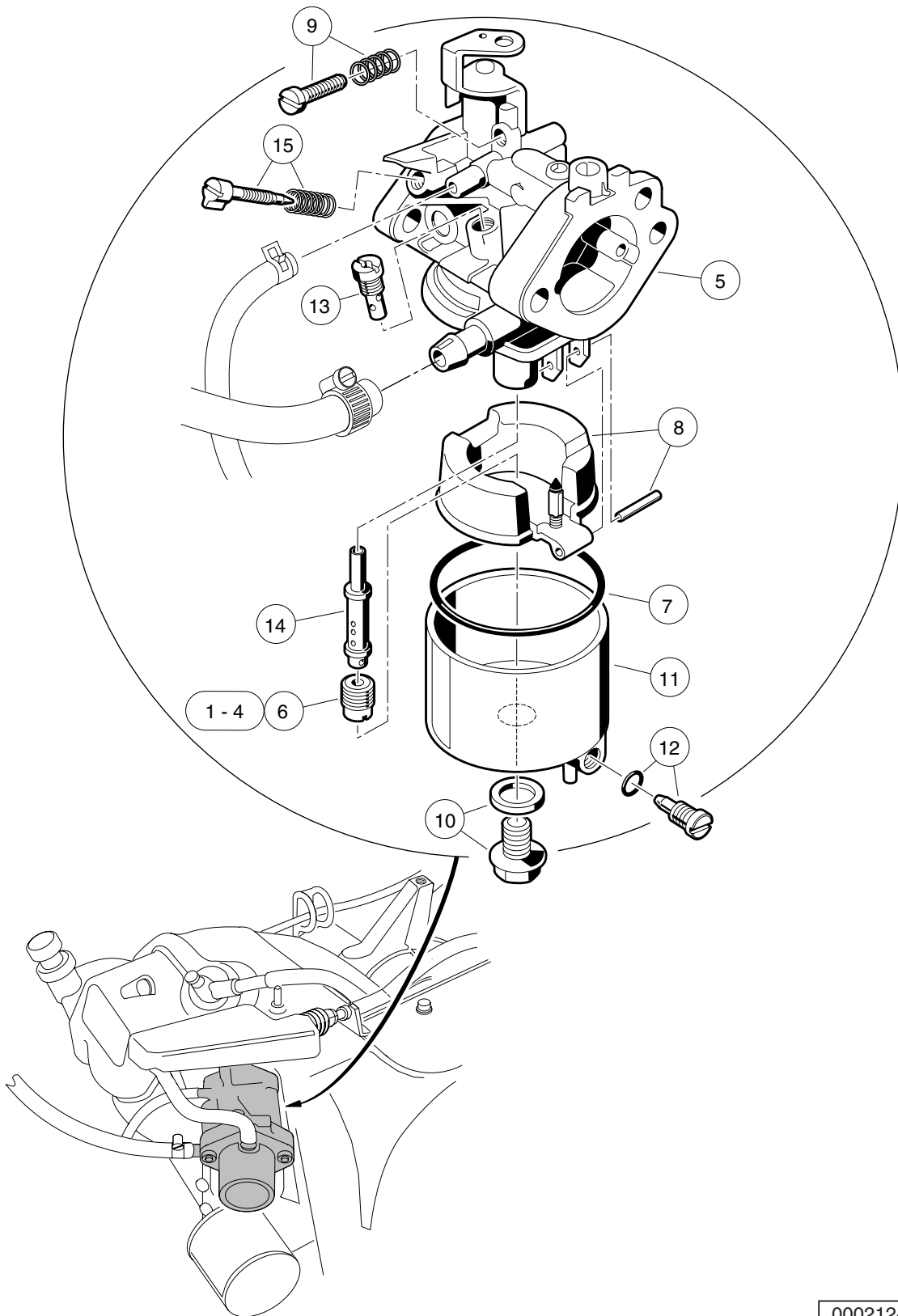
000211-001

CARBURETOR ASSEMBLY – FE290

ITEM	PART NO.	DESCRIPTION	QTY
		1 2 3 4	
1	101642572	Jet, Altitude, # 72	A/R
2	101642575	Jet, Altitude, # 75	A/R
3	101642578	Jet, Altitude, # 78	A/R
4	101642580	Jet, Altitude, # 80	A/R
5	101905601	Carburetor Assembly, FE290D (includes items 6 through 15)	1
6	101642582	Jet, Altitude, # 82	1
7	1016437	Gasket, Carburetor Bowl OHV	1
8	1016486	Float Assembly	1
9	1016501	Screw Assembly	1
10	1016585	Bolt	1
11	1017461	Chamber Assembly, Float (includes item 12)	1
12	1016499	Screw Assembly	1
13	101973101	Jet, #40 Pilot	1
14	101973201	Nozzle, Main	1
15	N/A	Assembly, Pilot Air Screw	1
<p style="margin: 0;">Note: 101642582 for 0 - 3,000 feet; 101642580 for 3,000 - 5,000 feet; 101642578 for 5,000 - 8,000 feet; 101642575 for 8,000 - 10,000 feet; 101642572 for 10,000 feet and higher.</p>			

9

G



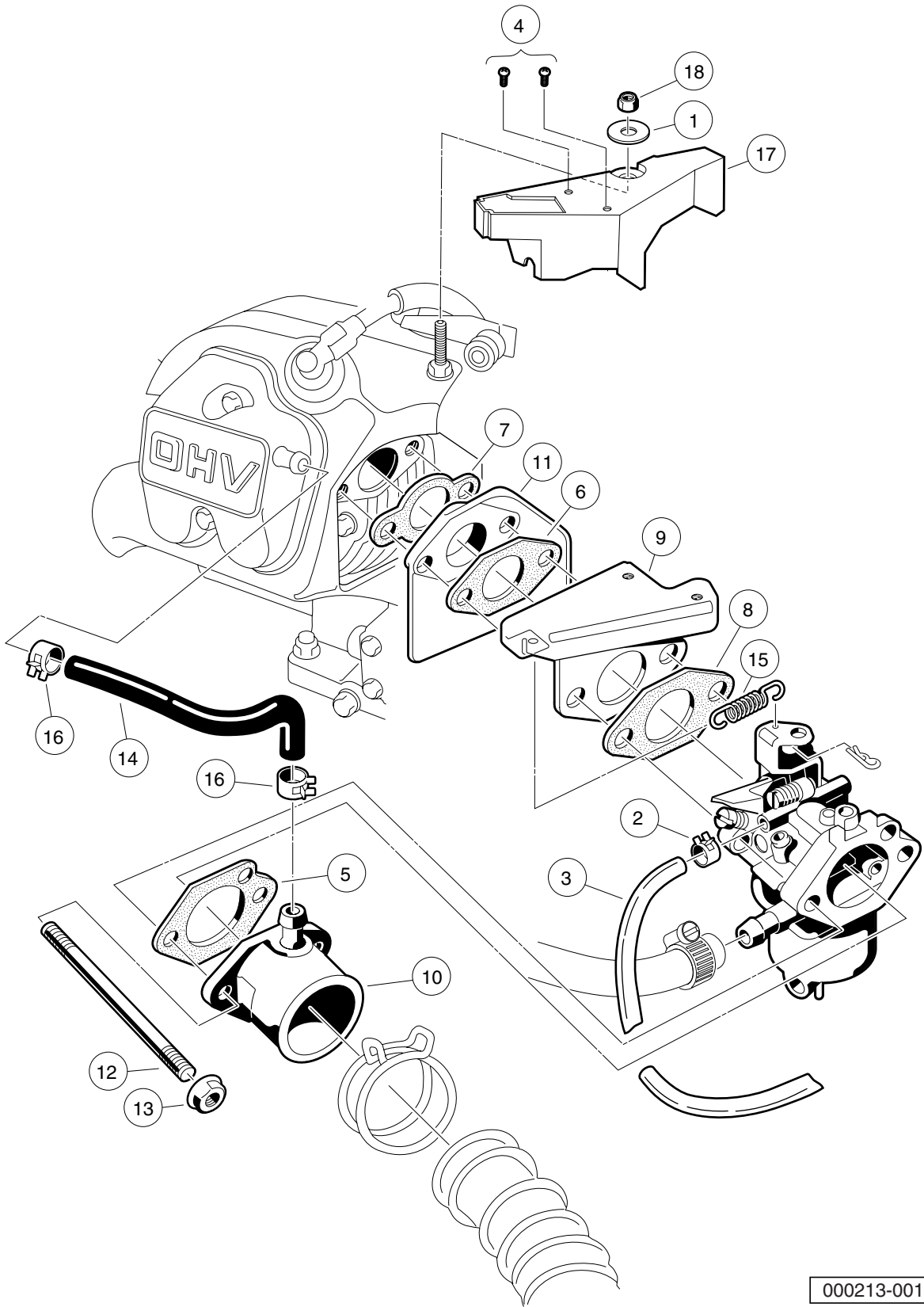
000212-001

CARBURETOR ASSEMBLY – FE350

ITEM	PART NO.	DESCRIPTION	QTY
		1 2 3 4	
1	101642575	Jet, Altitude, # 75	A/R
2	101642578	Jet, Altitude, # 78	A/R
3	101642580	Jet, Altitude, # 80	A/R
4	101642582	Jet, Altitude, # 82	A/R
5	101905901	Carburetor, FE350D (includes items 6 through 15)	1
6	101642585	Jet, Altitude, # 85	1
7	1016437	Gasket, Carburetor Bowl OHV	1
8	1016486	Float Assembly	1
9	1016501	Screw Assembly	1
10	1016585	Bolt	1
11	1017461	Chamber Assembly, Float (includes item 12)	1
12	1016499	Screw Assembly	1
13	101973101	Jet, #40 Pilot	1
14	101973301	Nozzle, Main	1
15	N/A	Assembly, Pilot Air Screw	1
<p style="margin: 0;">Note: 101642585 for 0 - 3,000 feet; 101642582 for 3,000 - 5,000 feet; 101642580 for 5,000 - 8,000 feet; 101642578 for 8,000 - 10,000 feet; 101642575 for 10,000 feet and higher.</p>			

9

G

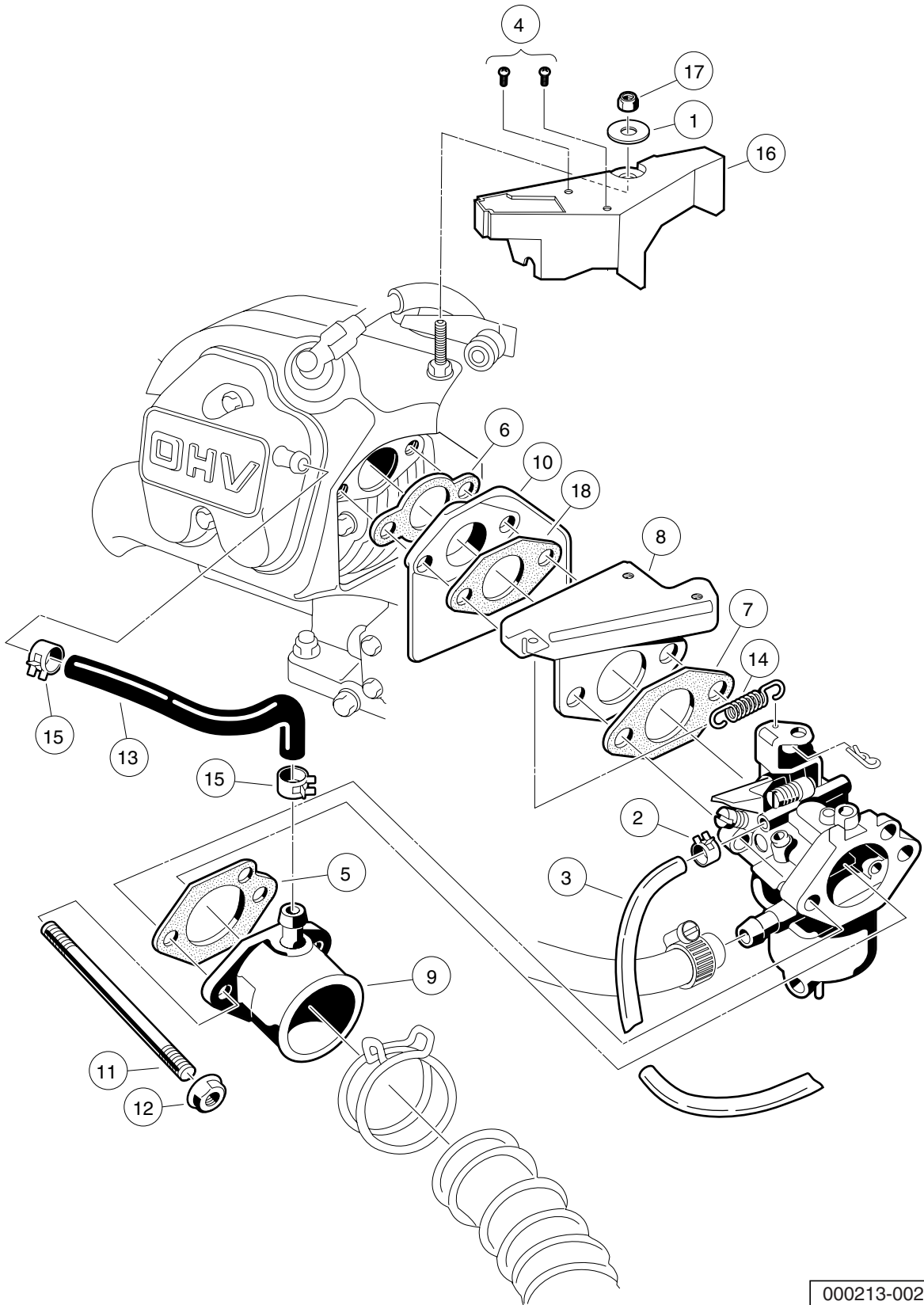


000213-001

CARBURETOR INSTALLATION – FE290

ITEM	PART NO.	DESCRIPTION	QTY
		1 2 3 4	
1	1011697	Washer, 5/16 Flat	1
2	1013746	Clamp, 0.301 ID Hose	1
3	1015137	Fuel Line (available by the foot)	A/R
4	1016103	Screw, Pan Hd Tx, Taptite 6-32	2
5	1016438	Gasket, Carb To Intake Manifold	1
6	1016439	Gasket, Insulator	1
7	1016440	Gasket, Engine to Insulator	1
8	1016441	Gasket, Sprg Brkt To Carb OHV	1
9	1016444	Bracket, Throttle Spring Return	1
10	1016480	Pipe, Intake Manifold	1
11	101648102	Insulator, Carburetor	1
12	101649002	Stud, M6-1.00 Two-Ended	2
13	1016547	Nut	2
14	1016572	Tube, Crankcase Vent	1
15	1016582	Spring, Throttle Return	1
16	1017466	Clamp	2
17	101820201	Shield, Governor	1
18	101887601	Locknut, M6-1.00 Nylon Insert	1

9
G



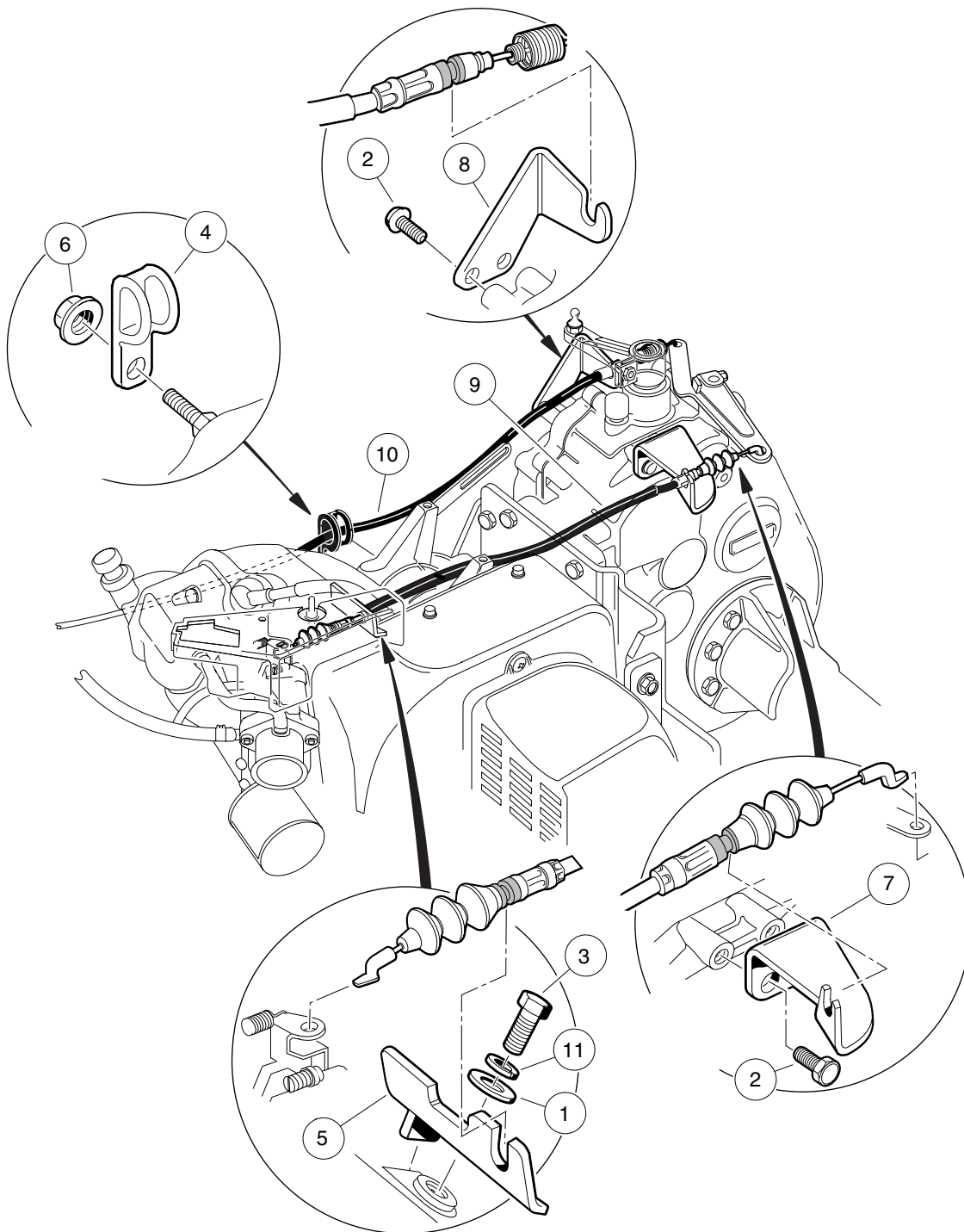
000213-002

CARBURETOR INSTALLATION – FE350

ITEM	PART NO.	DESCRIPTION	QTY
		1 2 3 4	
1	1011697	Washer, 5/16 Flat	1
2	1013746	Clamp, 0.301 ID Hose	1
3	1015137	Fuel Line (available by the foot)	1
4	1016103	Screw, Pan Hd Tx, Taptite 6-32	2
5	1016438	Gasket, Carb To Intake Manifold	1
6	1016440	Gasket, Engine to Insulator	1
7	1016441	Gasket, Sprg Brkt To Carb OHV	1
8	1016444	Bracket, Throttle Spring Return	1
9	1016480	Pipe, Intake Manifold	1
10	101648102	Insulator, Carburetor	1
11	101649002	Stud, M6-1.00 Two-Ended	2
12	1016547	Nut	2
13	1016572	Tube, Crankcase Vent	1
14	1016582	Spring, Throttle Return	1
15	1017466	Clamp	2
16	101820201	Shield, Governor	1
17	101887601	Locknut, M6-1.00 Nylon Insert	1
18	101973401	Gasket, Insulator To Bracket	1

9

G



000215-001

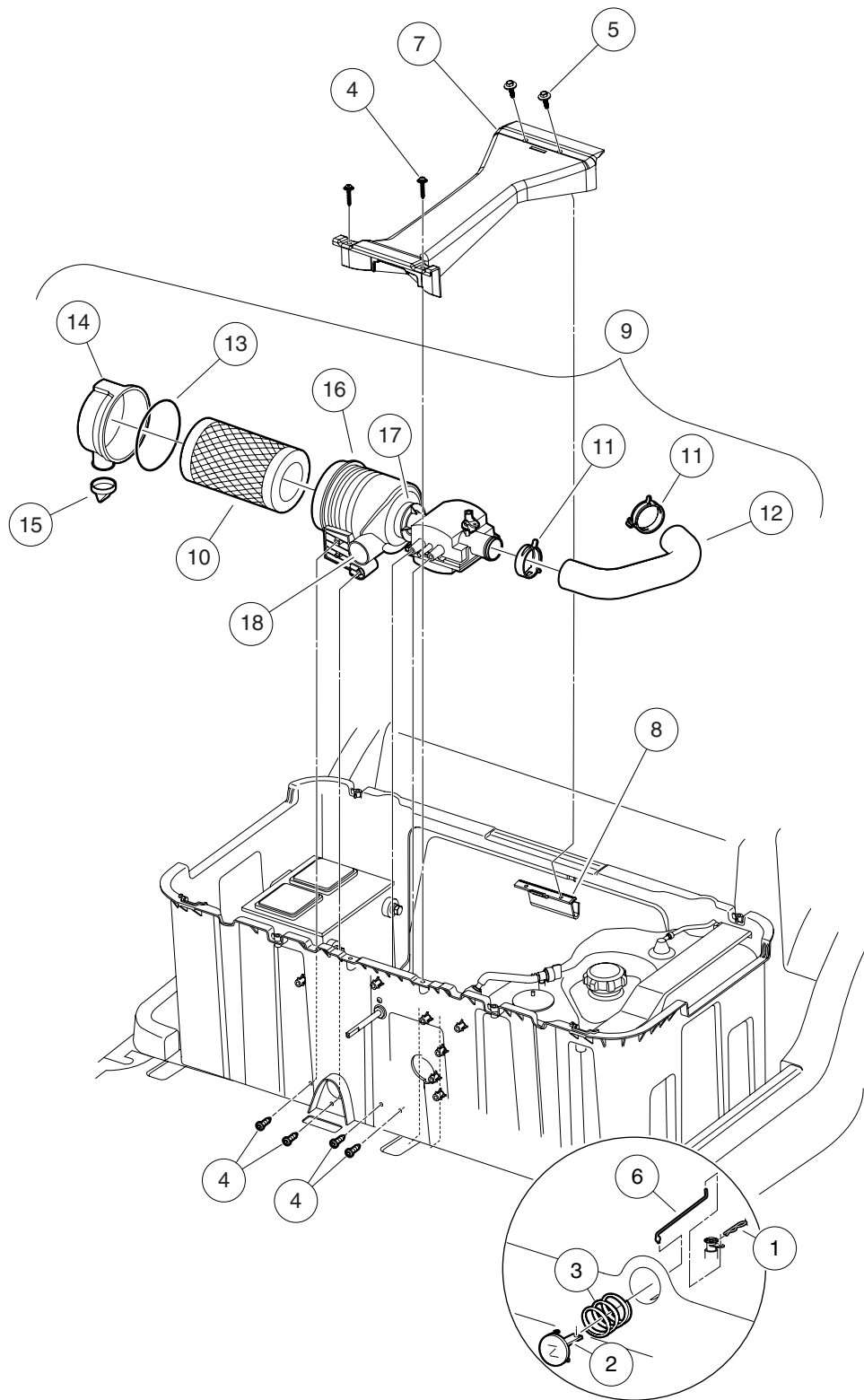
GOVERNOR AND ACCELERATOR CABLES

ITEM	PART NO.	DESCRIPTION	QTY
		1 2 3 4	
1	1011697	Washer, 5/16 Flat	1
2	1012285	Screw, 1/4 X 0.625 Hex-Head	4
3	1012830	Screw, M8-125 X 22 Hex-Head	1
4	1013700	Clamp	2
5	101584502	Bracket, Governor Cable Snap-In	1
6	1016546	Nut	2
7	101832202	Bracket, Rear Governor Cable Snap-In	1
8	101832302	Bracket, Rear Accelerator Cable Snap-In	1
9	102336001	Cable, Governor, Snap-In	1
10	102513102	Cable, Acc, Snap-in	1
11	7174	Lockwasher, 5/16 Split	1

9

G

9
G



000484-001

CHOKE AND AIR BOX ASSEMBLY

ITEM	PART NO.	DESCRIPTION	QTY
		1 2 3 4	
1	1014413	Pin, Hair Spring Cotter	1
2	101811401	Lever, Choke	1
3	101856201	Compression Spring	1
4	102296020	Screw, Torx Pan Hd Pt, M6 X 20	6
5	102297125	Screw M6-1.0x25.4 Thd Fm Sems	2
6	102514401	Rod, Choke Button	1
7	102521301	Brace, Gas Fuel Bucket	1
8	102521401	Support, Gas Bucket Brace	1
9	102588301	Air Intake Assy (includes items 10 through 16)	1
10	102558201	Air Filter, Precedent	1
11	102558301	Clamp, Air Intake, Prec	2
12	102558401	Hose, Air Intake, Prec	1
13	102558501	Gasket, Air Intake, Prec	1
14	102558601	Cover Asm, Air Intake, Prec	1
15	102558701	Evac Valve, Air Intake, Prec	1
16	N/A	Assembly, Body Intake (includes items 17 and 18)	1
17	N/A	Filter Element, Air Intake	1
18	N/A	Insert, Air Intake Body	1

9

G

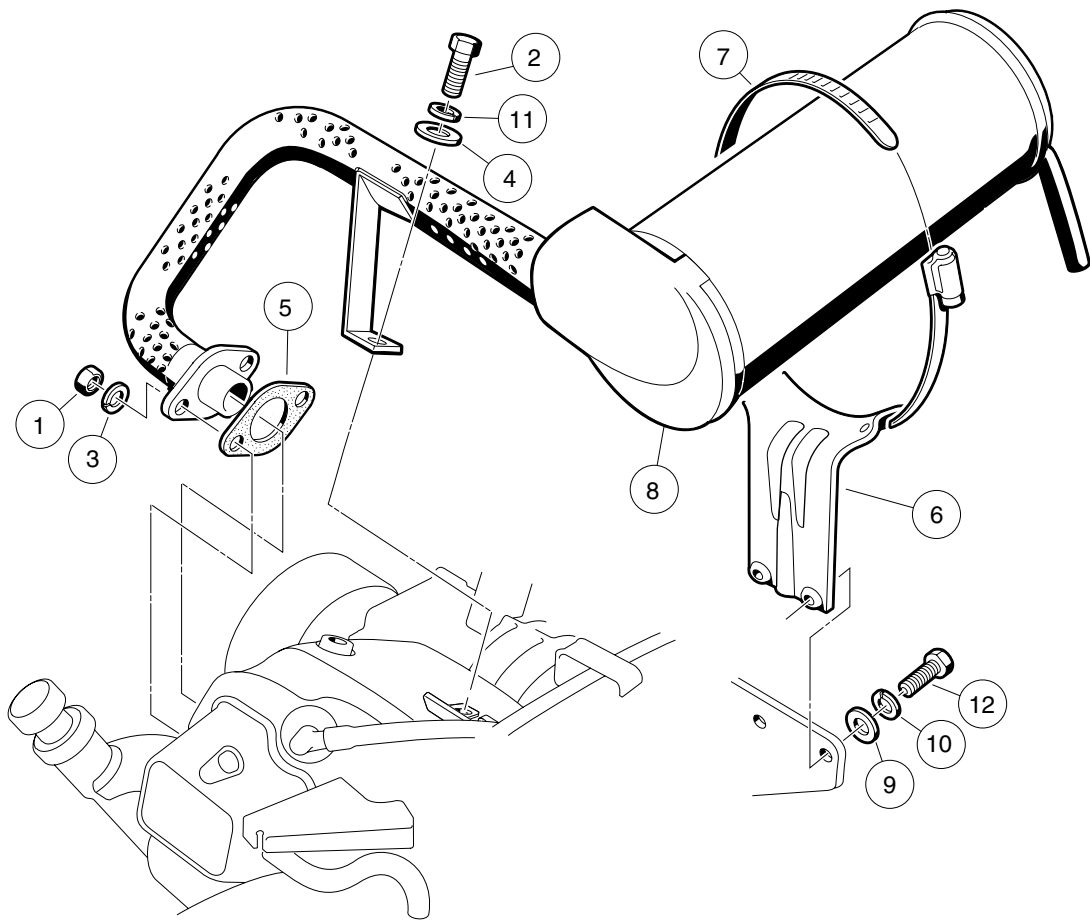
9

G

EXHAUST SYSTEM

10

G



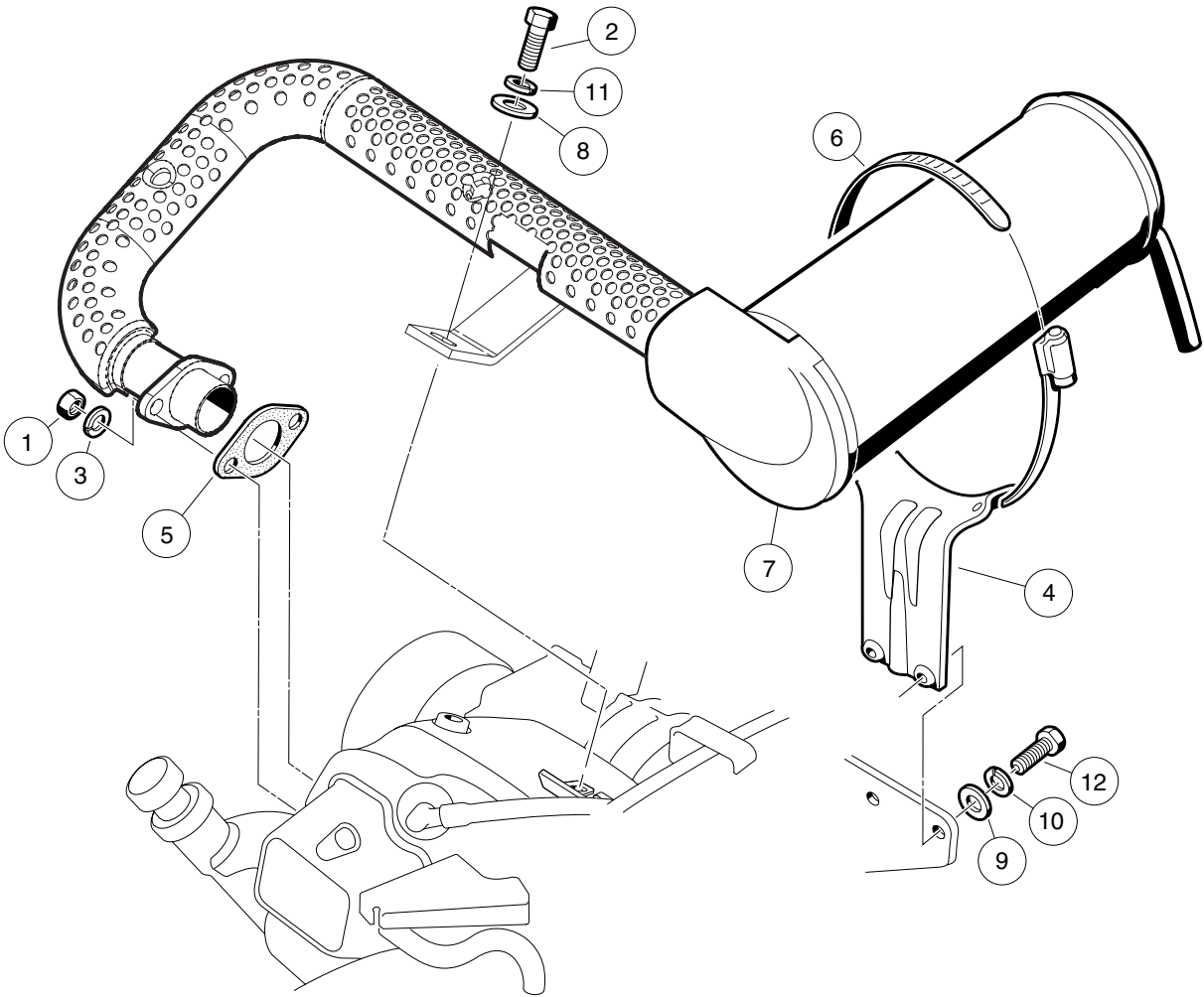
000485-001

EXHAUST SYSTEM – FE290

ITEM	PART NO.	DESCRIPTION	QTY
		1 2 3 4	
1	1012528	Nut, M8-1.25 Hex	2
2	1012830	Screw, M8-125 X 22 Hex-Head	1
3	1013734	Lockwasher, 8mm Split	2
4	1015075	Washer, 5/16 Flat Type A	1
5	1015330	Gasket, Exhaust	1
6	1015814	Bracket, Muffler Mounting	1
7	1017689	Clamp, 5" Muffler Hose	1
8	102522301	Exhaust System	1
9	332	Washer, 1/4 Type A Narrow Flat	2
10	451	Lockwasher, 1/4 Helical Split	2
11	7174	Lockwasher, 5/16 Split	1
12	7874	Bolt, 1/2-13 X 3.75 Hex Head	2

10

G



000491-001

EXHAUST SYSTEM – FE350

ITEM	PART NO.	DESCRIPTION	QTY
		1 2 3 4	
1	1012528	Nut, M8-1.25 Hex	2
2	1012830	Screw, M8-125 X 22 Hex-Head	1
3	1013734	Lockwasher, 8mm Split	2
4	1015814	Bracket, Muffler Mounting	1
5	1016904	Gasket, Exhaust	1
6	1017689	Clamp, 5" Muffler Hose	1
7	102585901	Exhaust System, FE350, Precedent	1
8	1241	Washer, 5/16 Type A Flat	1
9	332	Washer, 1/4 Type A Narrow Flat	2
10	451	Lockwasher, 1/4 Helical Split	2
11	7174	Lockwasher, 5/16 Split	1
12	7847	Screw, 1/4-20 X 0.75 Hex-Head Cap	2

10

G

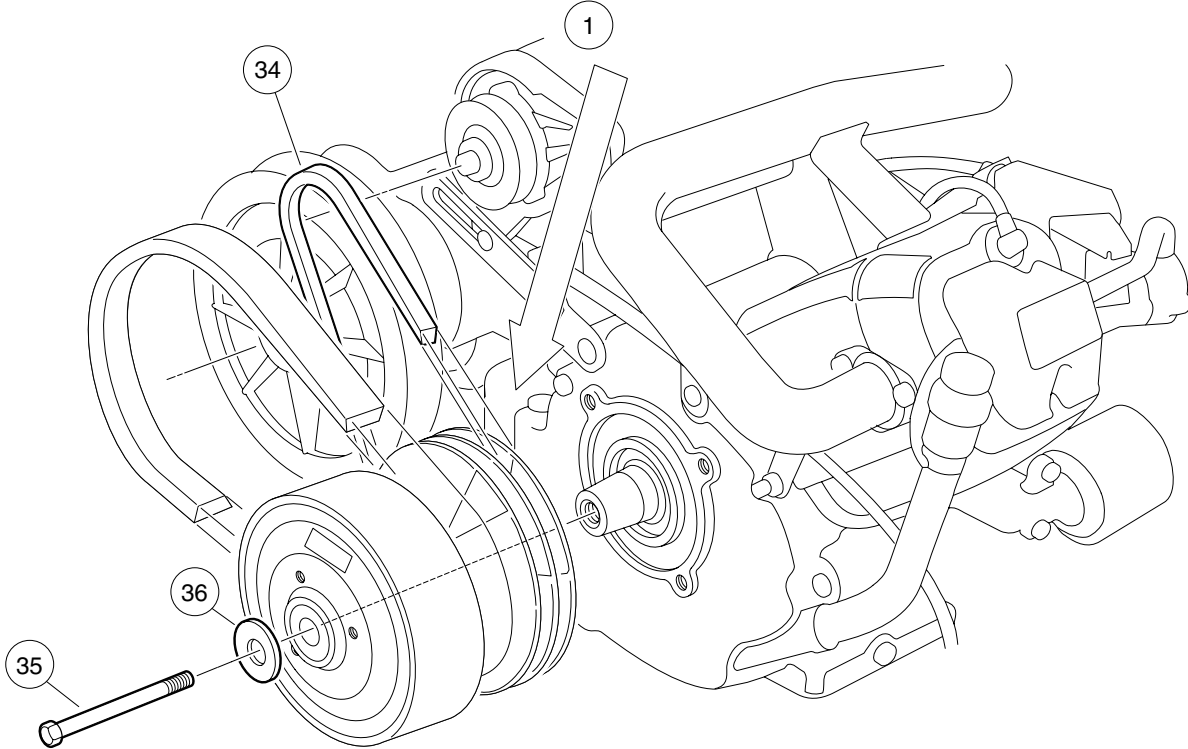
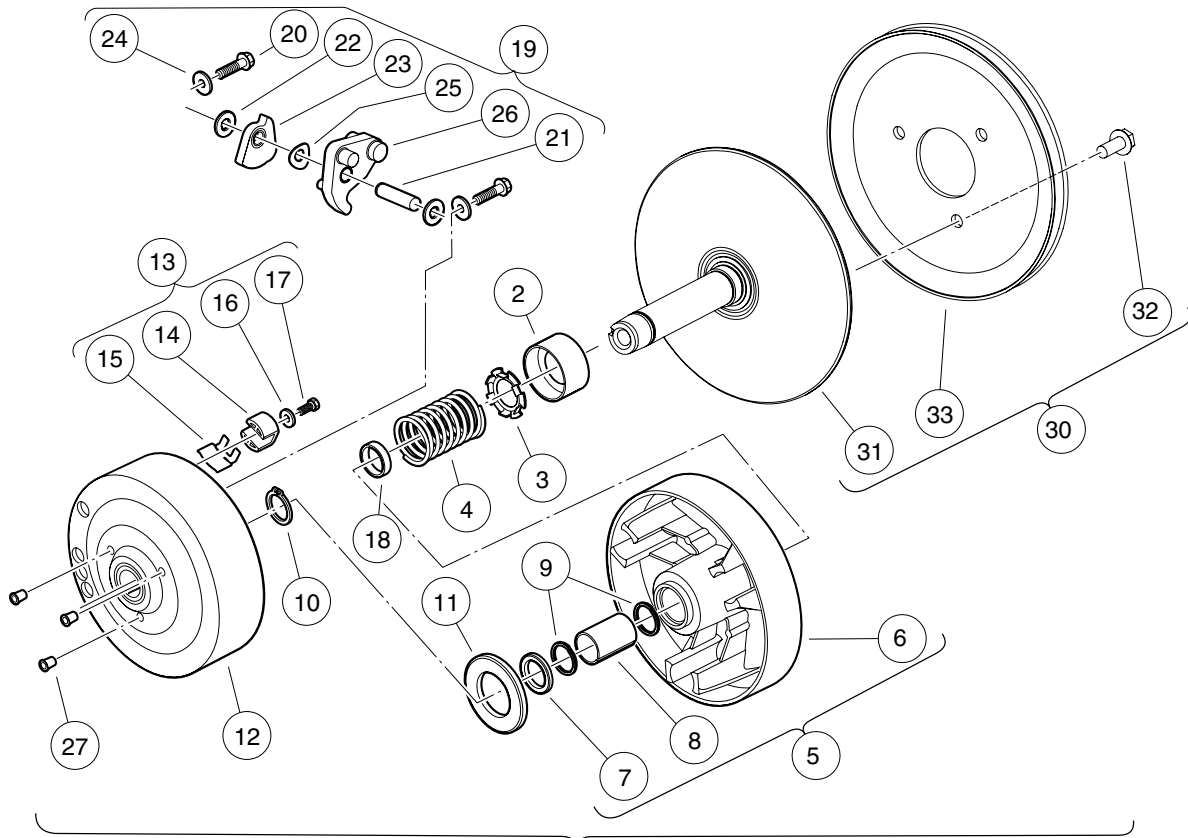
10

G

TORQUE CONVERTER

11

G

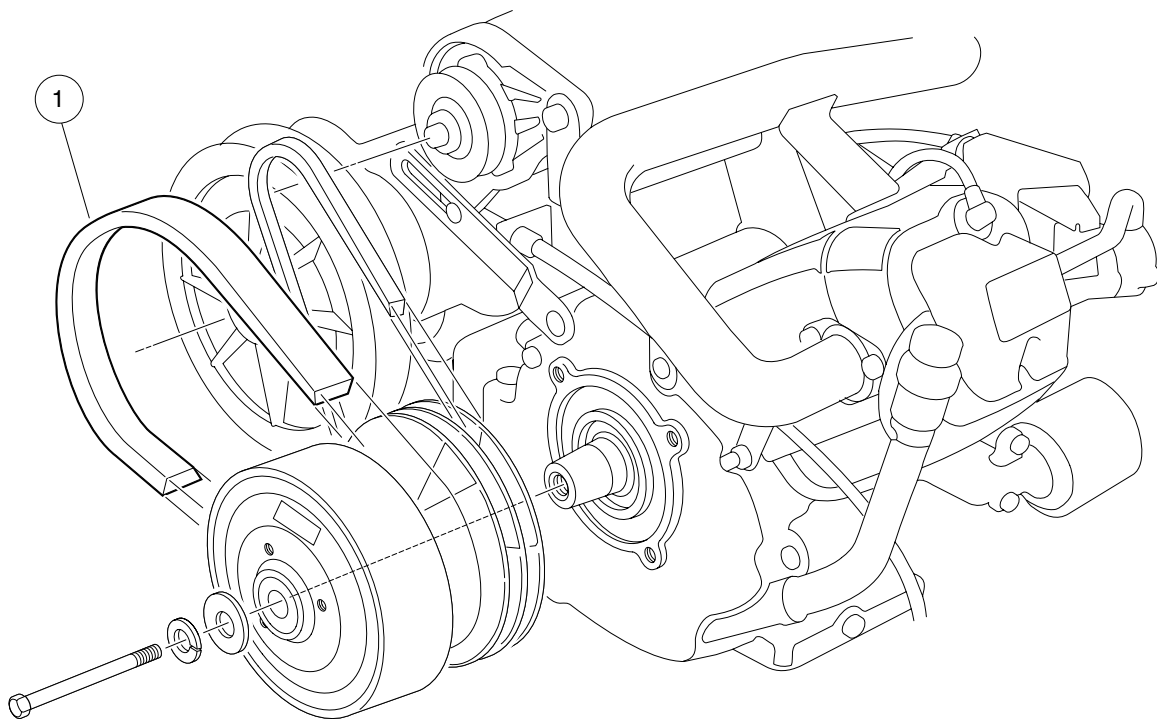


000217-001

DRIVE CLUTCH

ITEM	PART NO.	DESCRIPTION	QTY
		1 2 3 4	
1	101833902	Clutch, Drive (includes items 2 through 28)	1
2	1014049	Bearing, Idler	1
3	1014050	Retainer, Spring	1
4	1014051	Spring, Drive Clutch	1
5	1014052	Movable-Face Assembly (includes items 6 through 8)	1
6	N/A	Drive Clutch Movable Face	1
7	1014055	Retainer	1
8	N/A	Bushing, Split, Drive Clutch	1
9	1014056	Ring, Spiral Backup	2
10	1014057	Ring, 0.810" Internal Retaining	1
11	1014058	Washer, Thrust	1
12	1014059	Drive Hub Assy, Drive Clutch	1
13	1014453	Kit, Drive Clutch Button (includes items 14 through 17)	1
14	1014062	Driver, Drive Clutch	3
15	1014287	Spring, Drive Button	3
16	183	Washer, #10 Type A Flat	3
17	8450	Screw, #10-24 X 0.50 Hex-Head	3
18	1016289	Spacer, Fixed Face Shaft	1
19	1016801	Kit, Drive Clutch Weight (includes items 20 through 26)	1
20	1014063	Screw, 1/4-20 X 1.00 Hex Head	6
21	N/A	Pin, 0.3752 X 1.50 Dowel	3
22	1014065	Washer, 0.38" ID Delrin Flat	6
23	N/A	Clutch Weight, Secondary	3
24	N/A	Washer	6
25	1016201	Washer, Wave	3
26	N/A	Weight, Primary	3
27	N/A	Plug, Drive Clutch	3
28	101929802	Kit, Fxd Face Dr Asm Fe290/350 (includes items 29 and 30)	1
29	N/A	Desiccant Bag (Not Shown)	1
30	N/A	Assembly, Fixed-Face Drive (includes items 31 through 33)	1
31	N/A	Fixed Face Assembly, Drive Clutch	1
32	1014288	Screw, 5/16-18 X 0.75 Thread-Forming	3
33	N/A	Pulley, Clutch	1
34	101916701	V-Belt	1
35	103345701	Screw 3/8-24x5.5 Hex Loc Ptch	1
36	808	Washer, 3/8 Type B Flat	1
		Note: Item 29 not shown.	

11
G

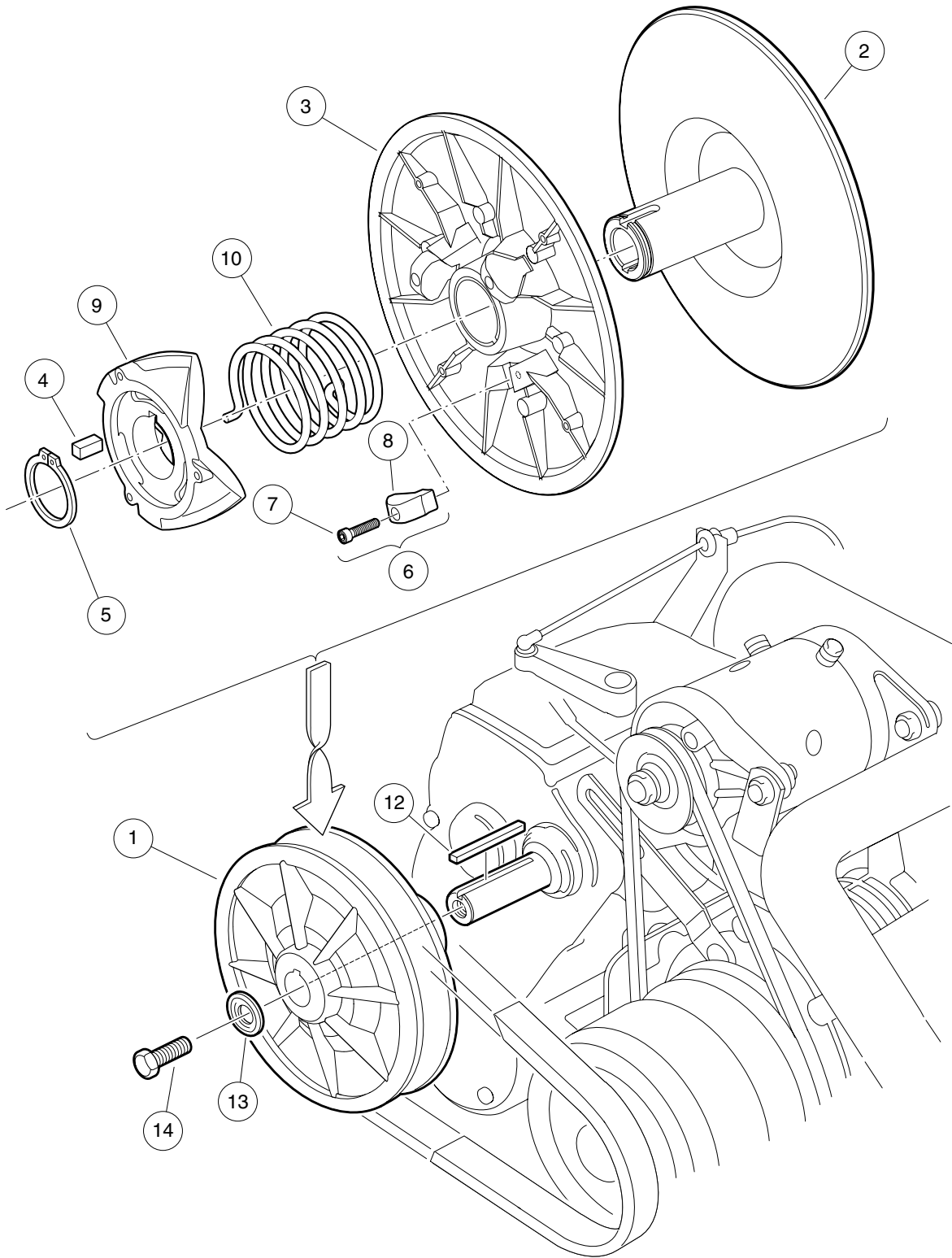


000218-001

DRIVE BELT

ITEM	PART NO.	DESCRIPTION	QTY
1	1016203	1 2 3 4 Belt, Drive	1

11
G



000219-001

DRIVEN CLUTCH

ITEM	PART NO.	DESCRIPTION	QTY
		1 2 3 4	
1	101834001	Assembly, Driven Clutch (includes items 2 through 10)	1
2	1014070	Fixed Face Assy, Driven Clutch	1
3	1014072	Movable-Face Assembly with Bushing	1
4	1014078	Key, Driven Clutch	1
5	1014080	Ring, Retaining	1
6	1014454	Kit, Driven Clutch Button (includes items 7 and 8)	1
7	1012836	Screw, #8-32 X 3/4 Socket-Head Cap	3
8	N/A	Button, Drive	3
9	1017686	Cam, Driven Clutch	1
10	101836201	Spring, Driven Clutch, Reversed	1
11	AM10419	Kit, Clutch Repair (includes items 12 through 14)	1
12	101833401	Key, 3/16 Sq X 1.50"	1
13	N/A	Washer, Driven Clutch	1
14	102242101	Screw, 5/16-18 X 3/4 Hex-Head with Patch	1

11
G

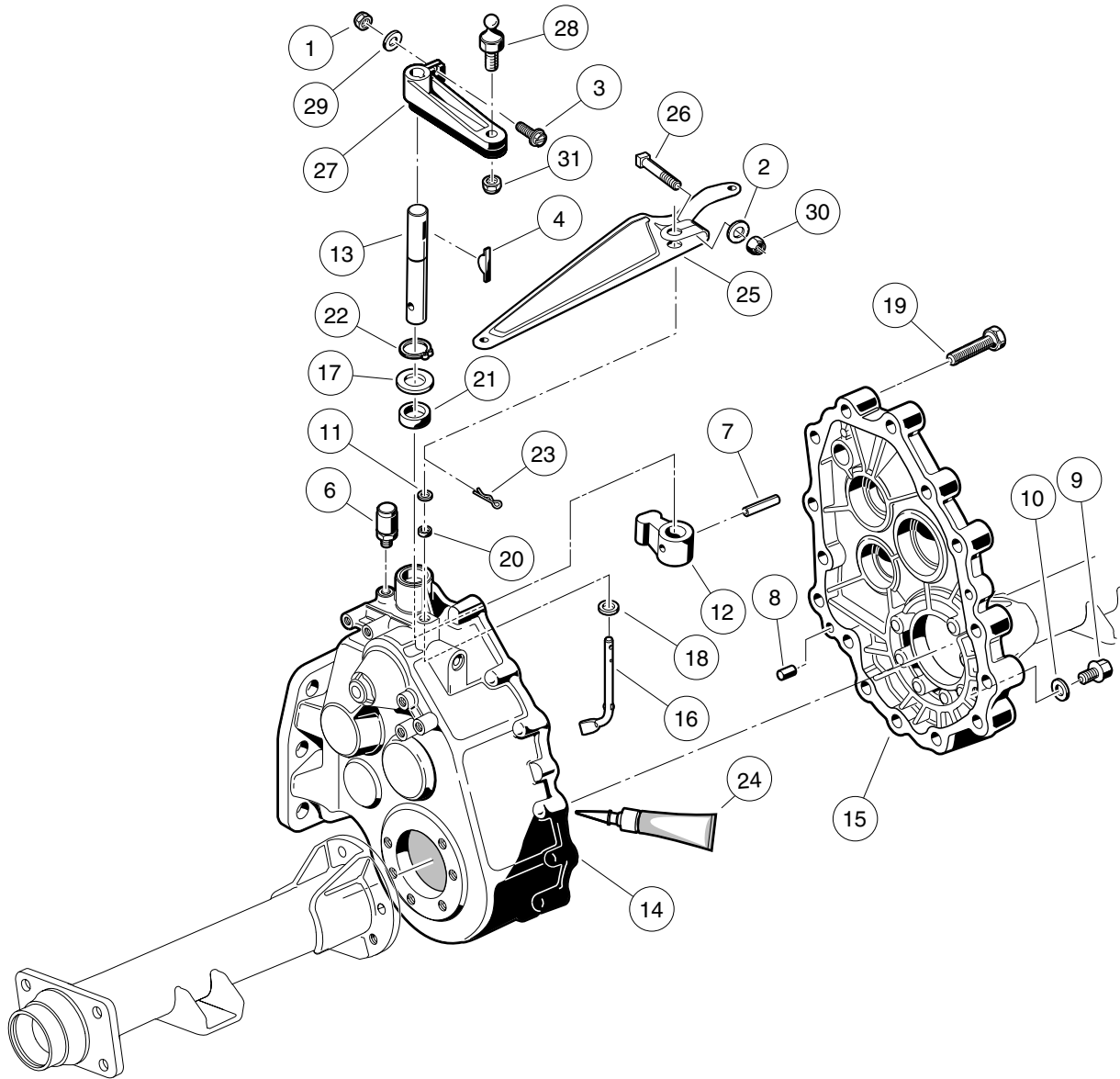
11

G

UNITIZED TRANSAXLE

12

G



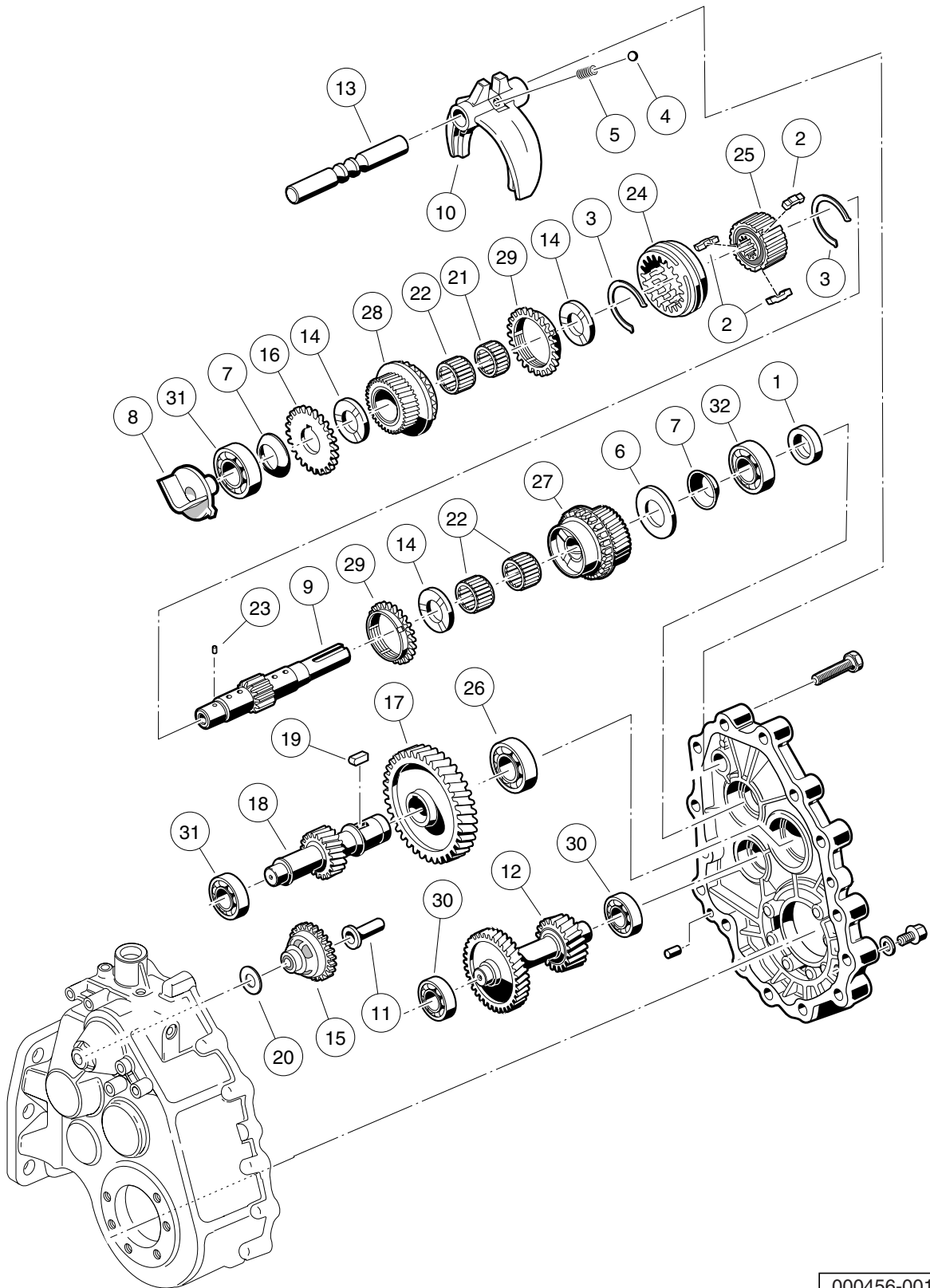
000220-002

UNITIZED TRANSAXLE – GEAR CASES AND BRACKETS

ITEM	PART NO.	DESCRIPTION	QTY
		1 2 3 4	
1	1013061	Locknut, #10-32 Nylon Insert	1
2	1014007	Washer, 1/4 Flat	1
3	1017082	Screw, #10-32 X 0.75, Hex-Head Machine	1
4	1017231	Key, Woodruff	1
5	101833601	Transaxle, 11.77 Ratio (includes items 6 through 24)	1
6	1012711	Breather	1
7	1012752	Roll Pin	1
8	1012896	Pin, Dowel	2
9	1013760	Fill Plug	2
10	1016432	Gasket, Drain Plug	1
11	1016513	Washer, M6 Flat	1
12	101890101	Lever, Change	1
13	101890201	Shaft - Change	1
14	101890501	Gear Case (driver side)	1
15	101890601	Gear Case (passenger side)	1
16	101891301	Arm Pivot	1
17	101892901	Washer	1
18	101893801	Washer	1
19	101926901	Screw, M8-1.25 X 40mm Hex-Head	15
20	101927101	Seal, Oil	1
21	101927201	Seal, Oil	1
22	101927301	Snap Ring	1
23	101928601	Pin, Cotter	1
24	101928701	Liquid Gasket (Transaxle case)	A/R
25	101834801	Arm, Governor	1
26	101886101	Screw, 1/4-20 X 1.00 Square-Head	1
27	102515401	Lever, Transmission Shift	1
28	102526201	Stud, Thread, 1/4-28	1
29	183	Washer, #10 Type A Flat	1
30	8233	Locknut, 1/4-20 Nylon Insert	1
31	8717	Locknut, 1/4-28 Nylon Insert	1
Note: Unitized transaxle component listings span several pages.			

12

G



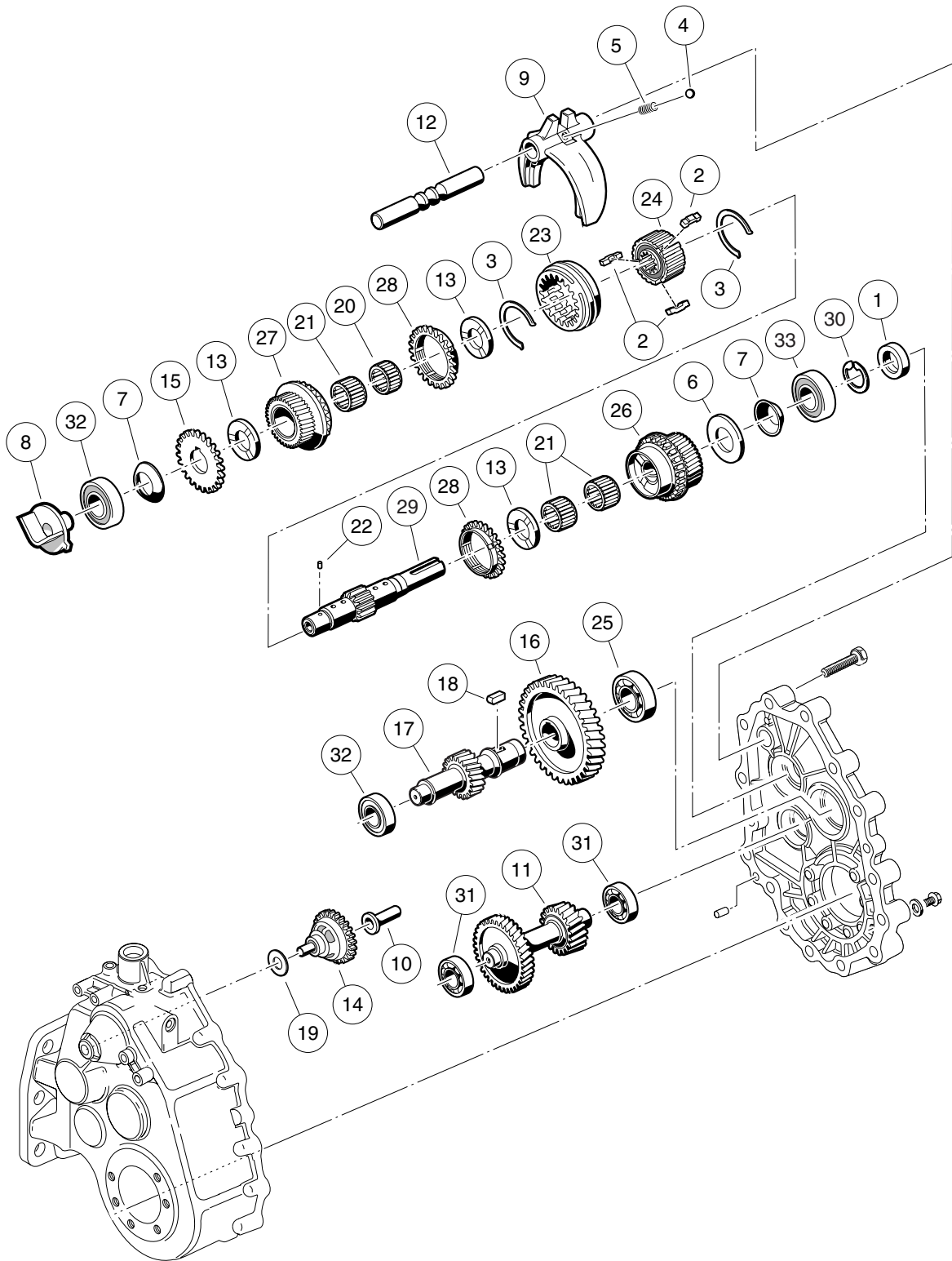
000456-001

UNITIZED TRANSAXLE – F&R TRANSMISSION AND GEAR REDUCTION – EARLIER VERSION

ITEM	PART NO.	DESCRIPTION	QTY
		1 2 3 4	
1	1012714	Oil Seal	1
2	1012740	Synchro Insert	3
3	1012741	Synchro Spring	2
4	1012747	Shifter Ball	1
5	1012748	Shifter Spring	1
6	1016337	Washer, Thrust	1
7	1016338	Washer, Spring	2
8	101889401	Guide	1
9	101889901	Shaft, Input	1
10	101890001	Fork - Shift	1
11	101891601	Sleeve, Governor	1
12	101891901	Gear, Cluster	1
13	101892001	Rod, Shift	1
14	101892201	Plate, Thrust	3
15	101892301	Governor Assembly	1
16	101892401	Gear, Spur	1
17	101892501	Gear, Helical (61 Tooth)	1
18	101892601	Gear, Helical (17 Tooth)	1
19	101893201	Key Sunk	1
20	101893901	Washer	1
21	101927501	Needle Bearing	1
22	101927601	Needle Bearing	3
23	101927701	Pin, .116" Dia X 0.264 Dowel	1
24	101927901	Sleeve, Synchro	1
25	101928001	Hub, Synchro Clutch	1
26	101928101	Bearing, Ball	1
27	101980801	Gear Assembly, 16-Degree Synchro (25 Tooth)	1
28	101980901	Gear Assembly, 16-Degree Rear Synchro (28 Tooth)	1
29	101981001	Ring, 16-Degree Synchronizer	2
30	7335	Bearing	2
31	AM10080	Bearing, Ball, Sealed	2
32	AM10081	Bearing, Ball, Sealed	1
Note: Items listed on this page are components of the unitized transaxle.			

12

G

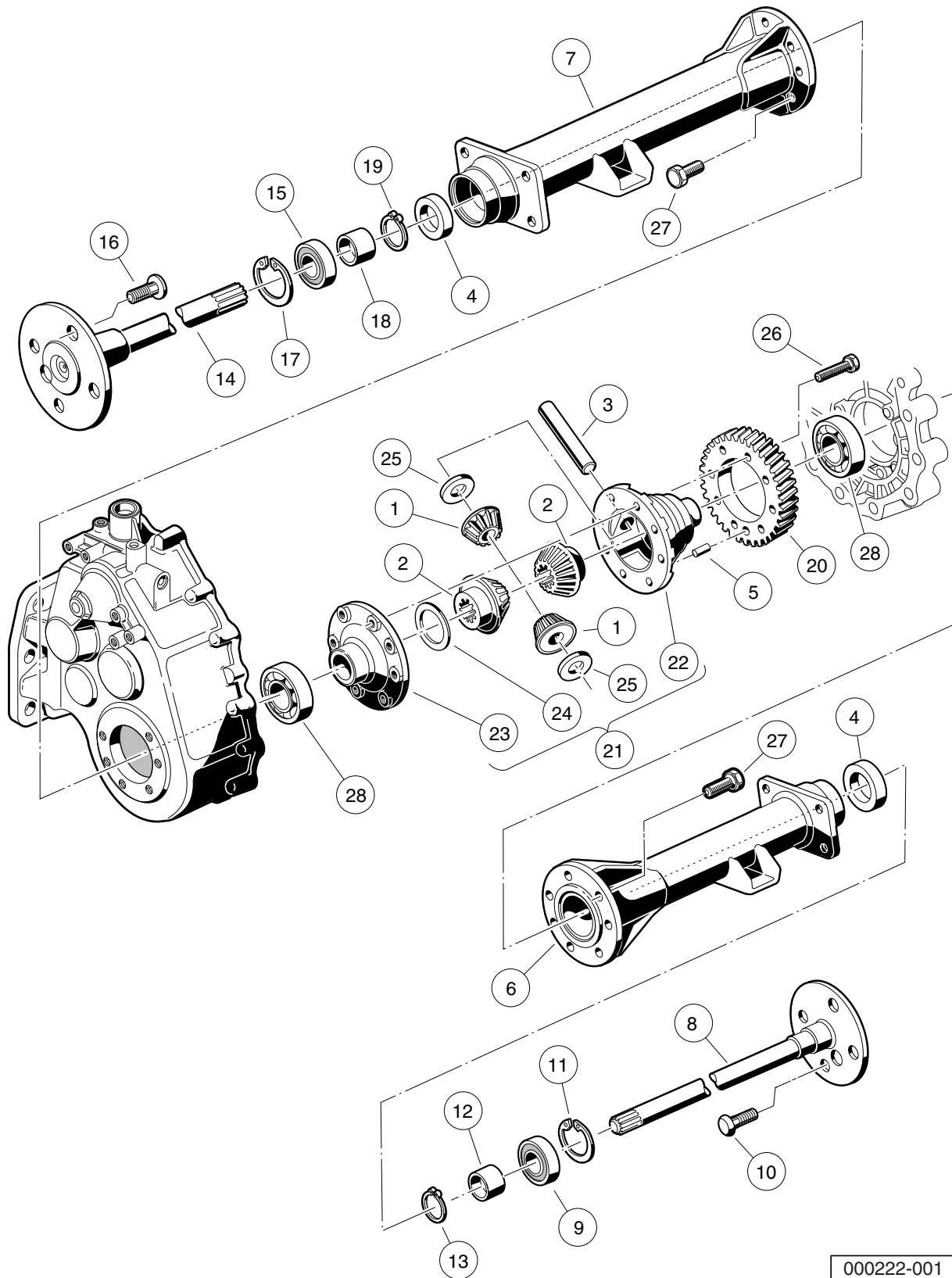


000221-001

UNITIZED TRANSAXLE – F&R TRANSMISSION AND GEAR REDUCTION – LATER VERSION

ITEM	PART NO.	DESCRIPTION	QTY
		1 2 3 4	
1	1012714	Oil Seal	1
2	1012740	Synchro Insert	3
3	1012741	Synchro Spring	2
4	1012747	Shifter Ball	1
5	1012748	Shifter Spring	1
6	1016337	Washer, Thrust	1
7	1016338	Washer, Spring	2
8	101889401	Guide	1
9	101890001	Fork - Shift	1
10	101891601	Sleeve, Governor	1
11	101891901	Gear, Cluster	1
12	101892001	Rod, Shift	1
13	101892201	Plate, Thrust	3
14	101892301	Governor Assembly	1
15	101892401	Gear, Spur	1
16	101892501	Gear, Helical (61 Tooth)	1
17	101892601	Gear, Helical (17 Tooth)	1
18	101893201	Key Sunk	1
19	101893901	Washer	1
20	101927501	Needle Bearing	1
21	101927601	Needle Bearing	3
22	101927701	Pin, .116" Dia X 0.264 Dowel	1
23	101927901	Sleeve, Synchro	1
24	101928001	Hub, Synchro Clutch	1
25	101928101	Bearing, Ball	1
26	101980801	Gear Assembly, 16-Degree Synchro (25 Tooth)	1
27	101980901	Gear Assembly, 16-Degree Rear Synchro (28 Tooth)	1
28	101981001	Ring, 16-Degree Synchronizer	2
29	102453001	Shaft, Trans, with Circlip	1
30	102453101	Circlip	1
31	7335	Bearing	2
32	AM10080	Bearing, Ball, Sealed	2
33	AM10081	Bearing, Ball, Sealed	1

12
G



000222-001

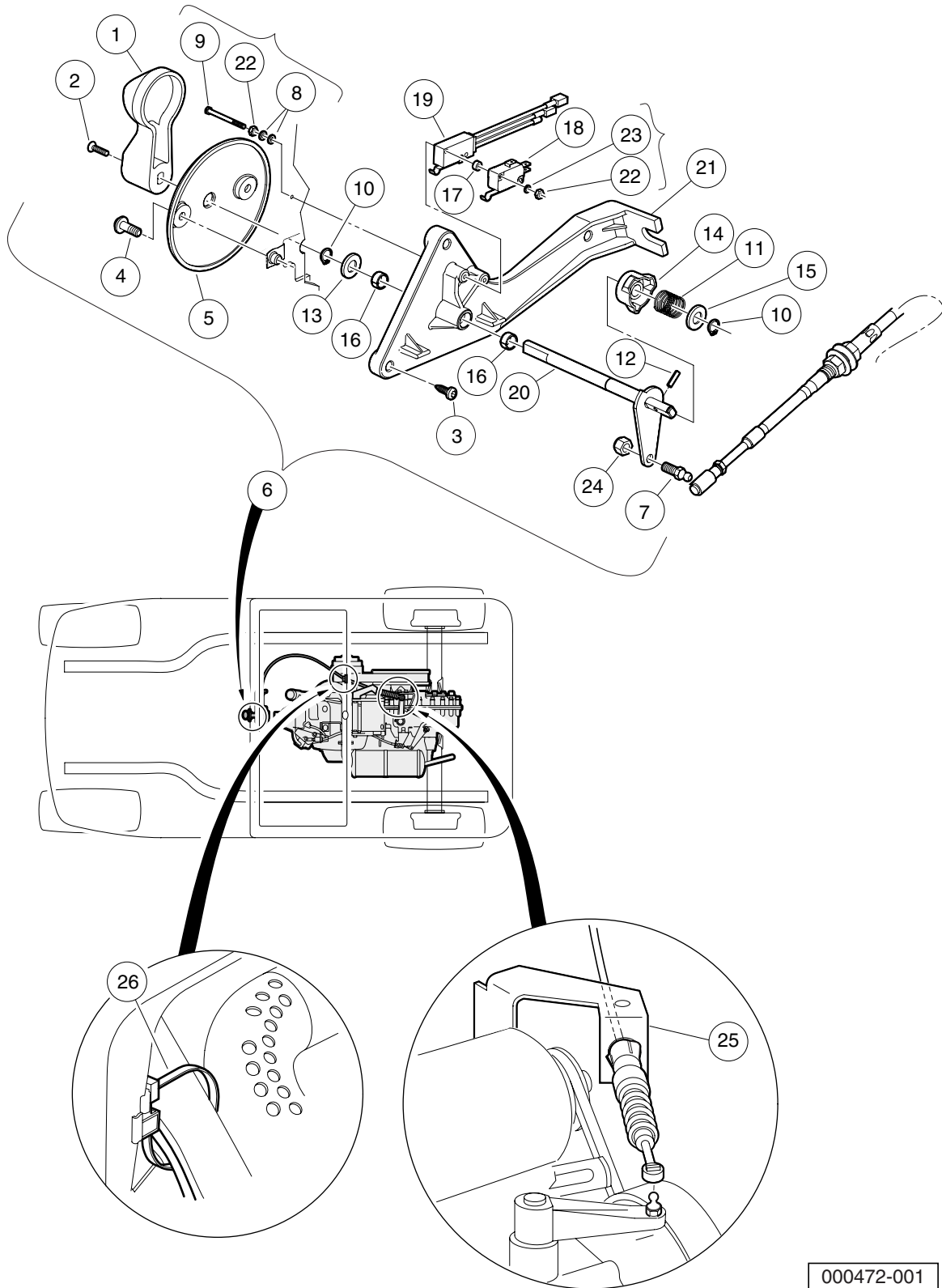
UNITIZED TRANSAXLE – DIFFERENTIAL AND AXLES

ITEM	PART NO.	DESCRIPTION	QTY
		1 2 3 4	
1	1013770	Differential Idler Gear	2
2	1013771	Gear, Differential	2
3	1013772	Pin, Differential	1
4	1013794	Axle Shaft Oil Seal	2
5	N/A	Dowel Pin	1
6	101890901	Pipe	1
7	101891001	Pipe	1
8	101891401	Axle Assembly, Passenger Side (includes items 9 through 13)	1
9	1011291	Outer Axle, Tube Bearing	1
10	1013787	Lug Stud	4
11	1013792	Circlip Type C	1
12	1014207	Bushing	1
13	1016672	Retaining Ring	1
14	101891501	Axle Assembly, Driver-Side (includes items 15 through 19)	1
15	1011291	Outer Axle, Tube Bearing	1
16	1013787	Lug Stud	4
17	1013792	Circlip Type C	1
18	1014207	Bushing	1
19	1016672	Retaining Ring	1
20	101892701	Gear, Helical	1
21	101910501	Kit, Differential Gear Case (includes items 22 through 25)	1
22	1013768	Differential Gear Case, Left-Hand	1
23	1013769	Differential Gear Case, Right-Hand	1
24	1013773	Plate, Thrust (Differential Gear)	1
25	1013774	Plate, Thrust (Idler Gear)	2
26	101928301	Screw, M8-1.25 X 35mm Hex Head	8
27	102031901	Bolt, M10 X 1.5 X 30mm	14
28	7330	Inner Axle Tube Bearing	2
Note: Items listed on this page are components of the unitized transaxle.			

12

G

12
G



000472-001

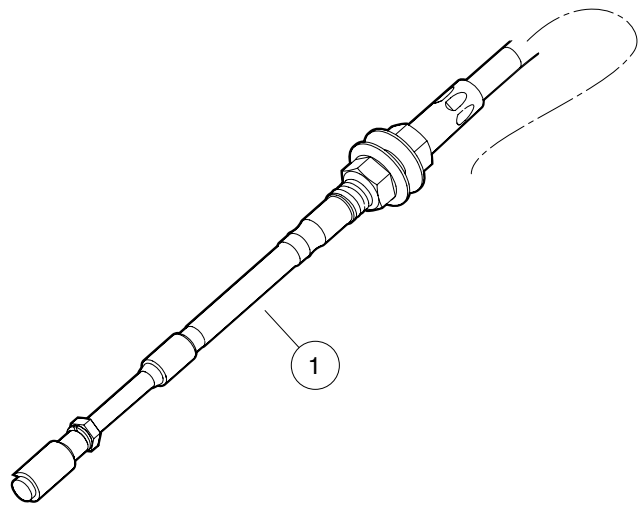
FORWARD/REVERSE SHIFTER ASSEMBLY – GASOLINE VEHICLE

ITEM	PART NO.	DESCRIPTION	QTY
		1 2 3 4	
1	1012987	Handle, FNR	1
2	1015064	Screw, #8-32 X 0.63 Machine	1
3	102296040	Screw, Torx Pan Hd Pt, M6 X 40	3
4	102296920	Screw, M6 Torx Bttn Hd Sems	2
5	102512001	Bezel, FNR Gas	1
6	102514601	Assembly - Gas F-n-r Shifter (includes items 7 through 24)	1
7	1010954	Stud, 1/4-28 X 0.560 Ball	1
8	1012431	Washer, #4 Flat	4
9	1012594	Screw, #4-40 Machine	2
10	1013589	Ring, 0.338" Internal Retaining	2
11	1013590	Spring, FNR Cam	1
12	1013591	Pin, 1/8 X 1/2 Roll	1
13	1014065	Washer, 0.38" ID Delrin Flat	1
14	1014089	Neutral Lockout Cam Kit (includes item 15)	1
15	1014065	Washer, 0.38" ID Delrin Flat	1
16	1014145	Bushing, Secondary Weight, Split	2
17	1014727	Washer, #4 Nylon Flat	2
18	1014807	Switch, Limit	1
19	101979101	Assembly, Switch, Limit	1
20	102515301	Weldment, F-n-r Gas	1
21	102515601	Base, Gas FNR Shifter	1
22	8057	Nut, #4-40 Hex Machine	4
23	8058	Lockwasher, #4 Helical Split	2
24	8717	Locknut, 1/4-28 Nylon Insert	1
25	102515501	Bracket, Trans Cable Support	1
26	102554901	Clip,edge,trans Shift Cable	1

12
G

12

G



000473-001

TRANSMISSION CABLE – 2005 VEHICLE

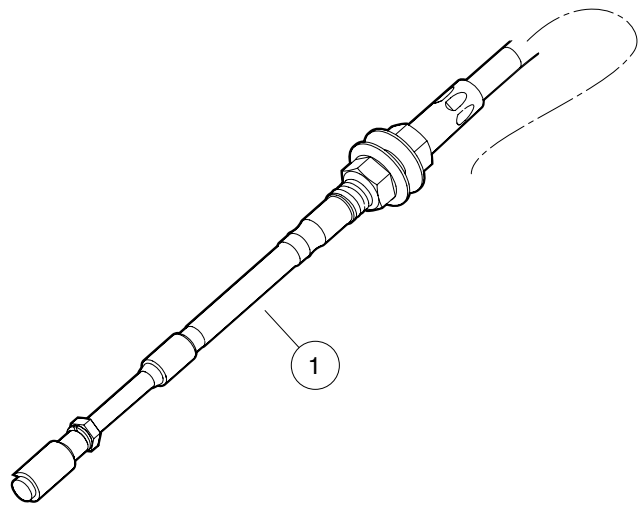
ITEM	PART NO.	DESCRIPTION	QTY
1	102516001	1 2 3 4 Cable, Transmission	1

12

G

12

G



000473-001

TRANSMISSION CABLE – 2006 VEHICLE

ITEM	PART NO.	DESCRIPTION	QTY
1	102589901	<div style="display: flex; justify-content: space-between; margin-bottom: 5px;"> 1234 </div> Cable, Transmission	1

12

G

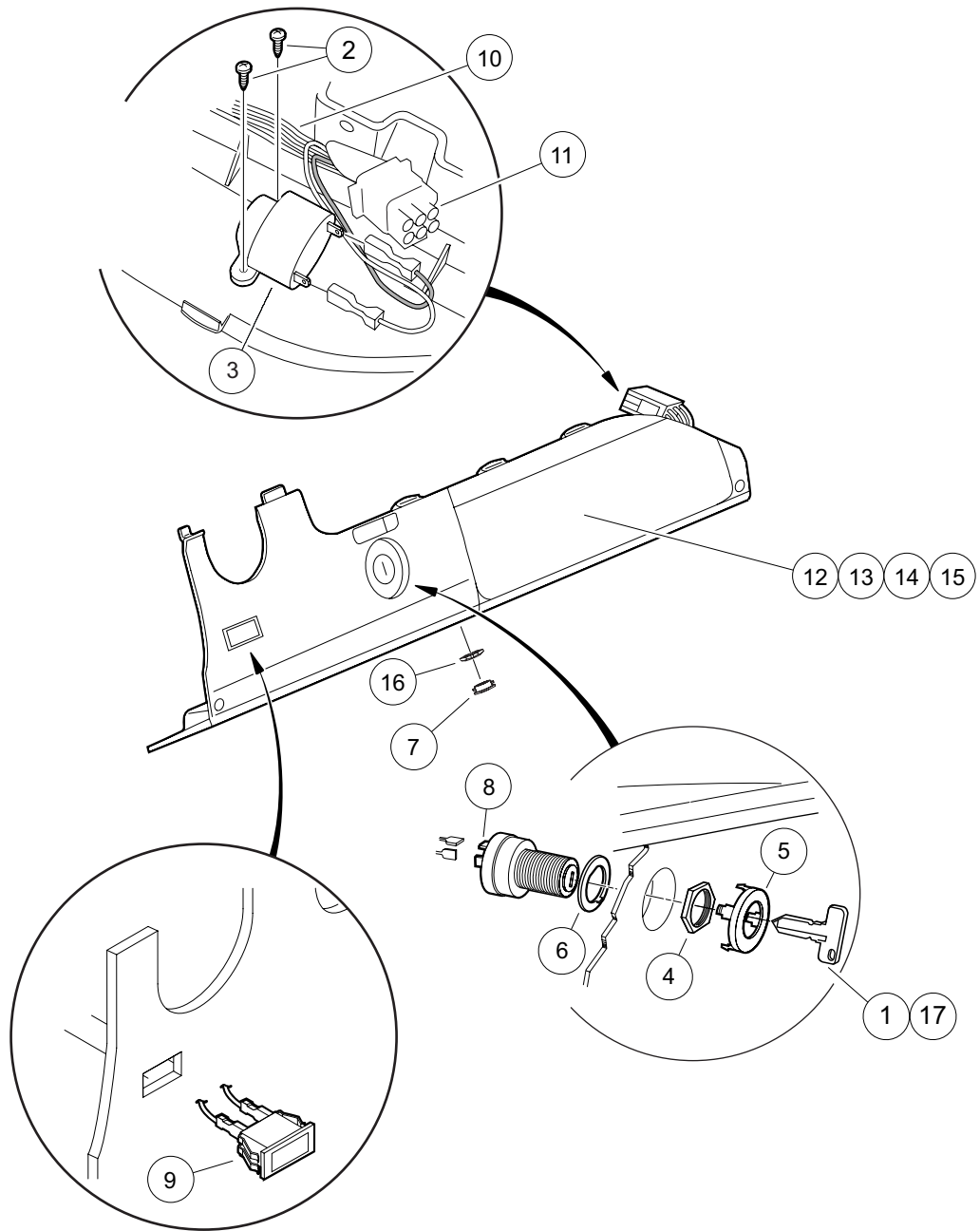
12

G

ELECTRICAL SYSTEM – ELECTRIC VEHICLE

13

E



000490-001

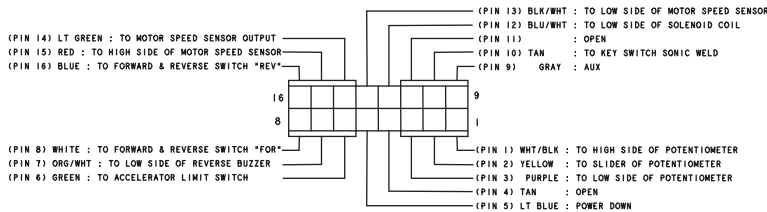
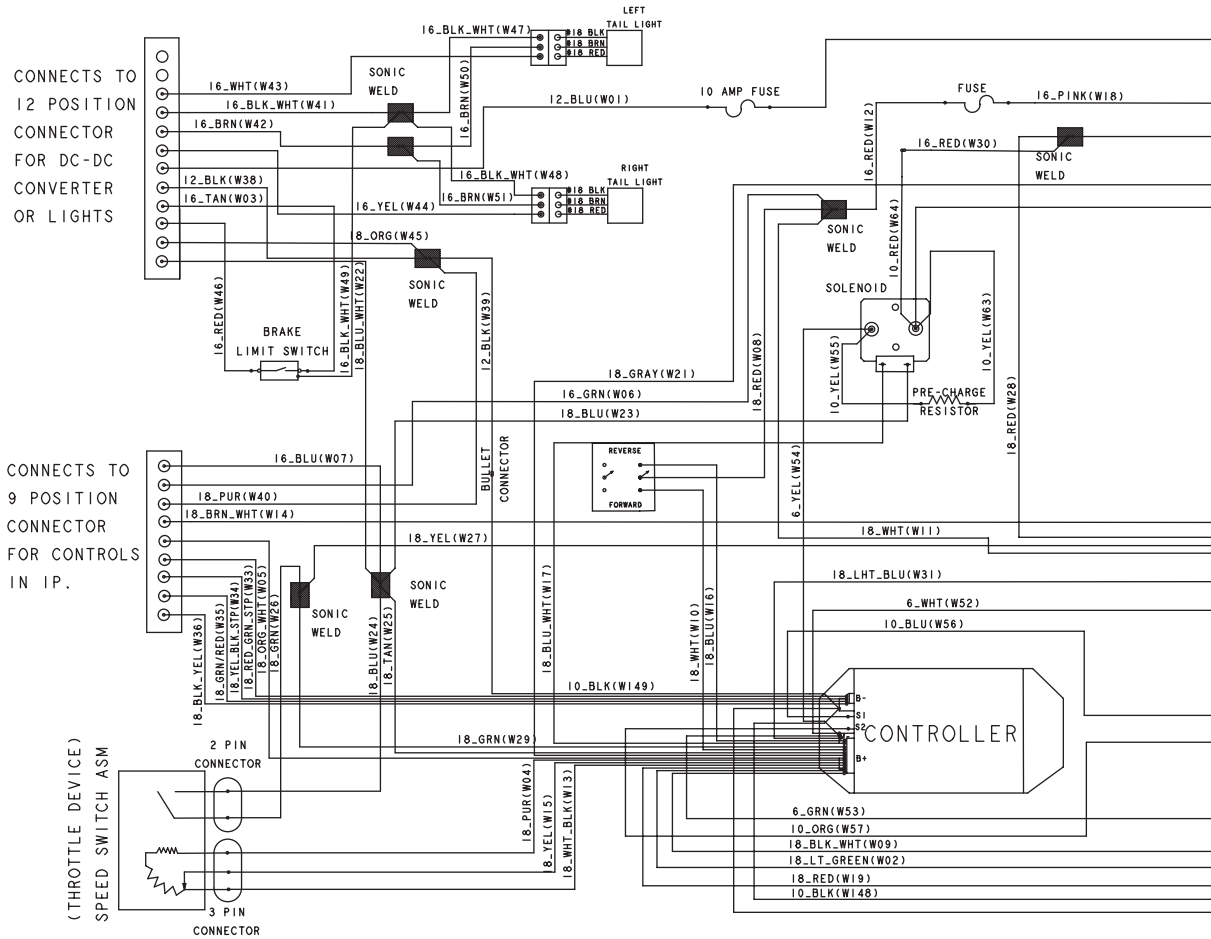
ELECTRICAL COMPONENTS, FRONT BODY – ELECTRIC VEHICLE

ITEM	PART NO.	DESCRIPTION	QTY
		1 2 3 4	
1	1012505	Keys (set of 2)	1
2	1016849	Screw, #4-24 X 0.33 Pan-Head Machine	2
3	1016851	Buzzer, Reverse (9-48 VDC)	1
4	101830701	Nut, Key Switch	1
5	101834502	Cap, Black Key Switch	1
6	101851101	Washer, Key Switch	1
7	102196901	Dust Cap	1
8	102508601	Key Switch, Electric	1
9	102508701	Light, Battery	1
10	102510001	Ip Control Harness, Elec (includes item 11)	1
11	102223401	Connector, Cap 9-pin	1
12	102522901	Instrument Panel (standard)	1
13	102536601	Instrument Panel (with Hole for Headlight Switch)	1
14	102536603	Instrument Panel (with Hole for Battery Condition Indicator)	1
15	102536605	Instrument Panel (with Hole for Headlight Switch and Battery Condition Indicator)	1
16	102572401	Nut, Diagnostic Port, Prec	1
17	AM10079	Bulk Std Keys (50) *	1
		* Note: Must order in multiples of 50.	

13

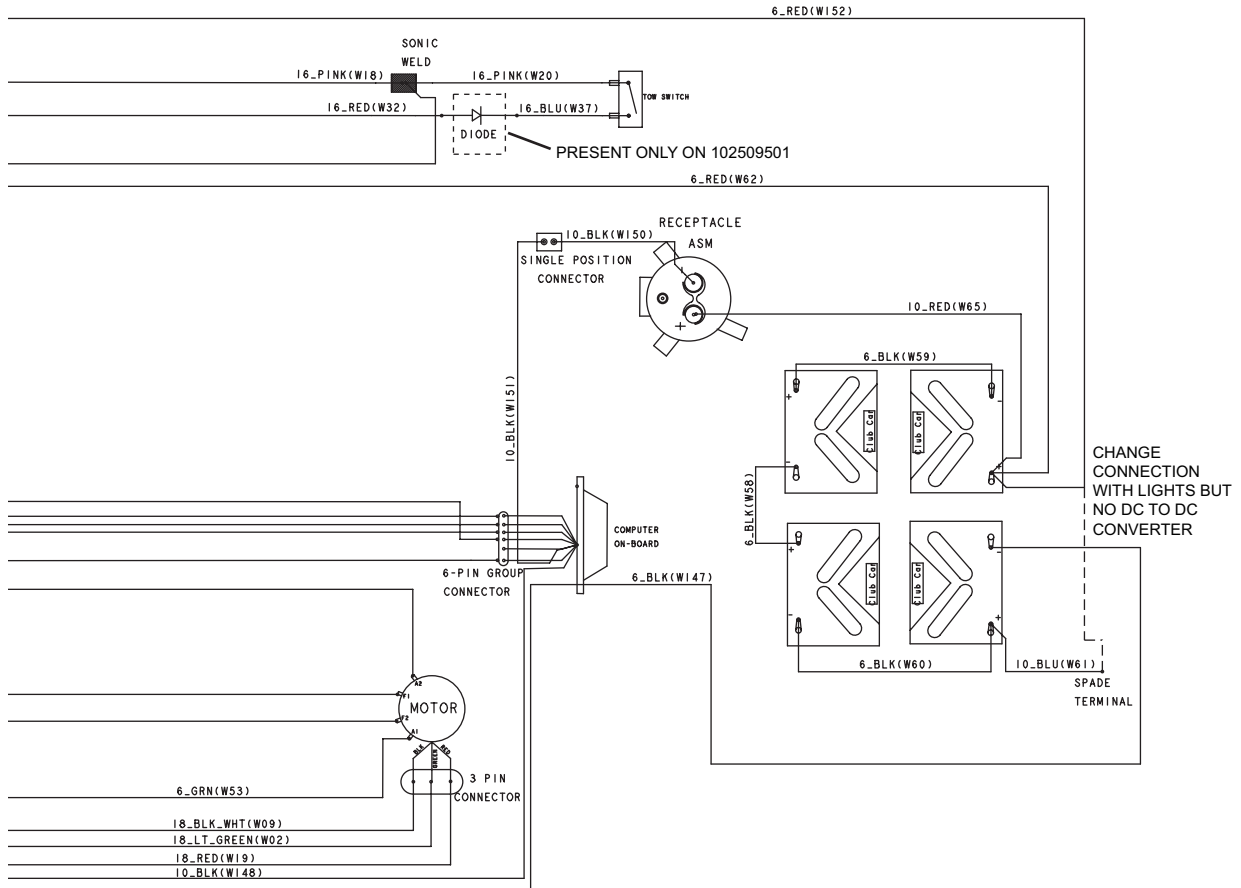
E

IQ SYSTEM VEHICLE - STYLE A BATTERY CONFIGURATION



16 - PIN CONNECTOR AT CONTROLLER

000498-001



NOTE:
SOME WIRING / COMPONENTS SHOWN
ARE OPTIONAL ACCESSORIES

000498-001

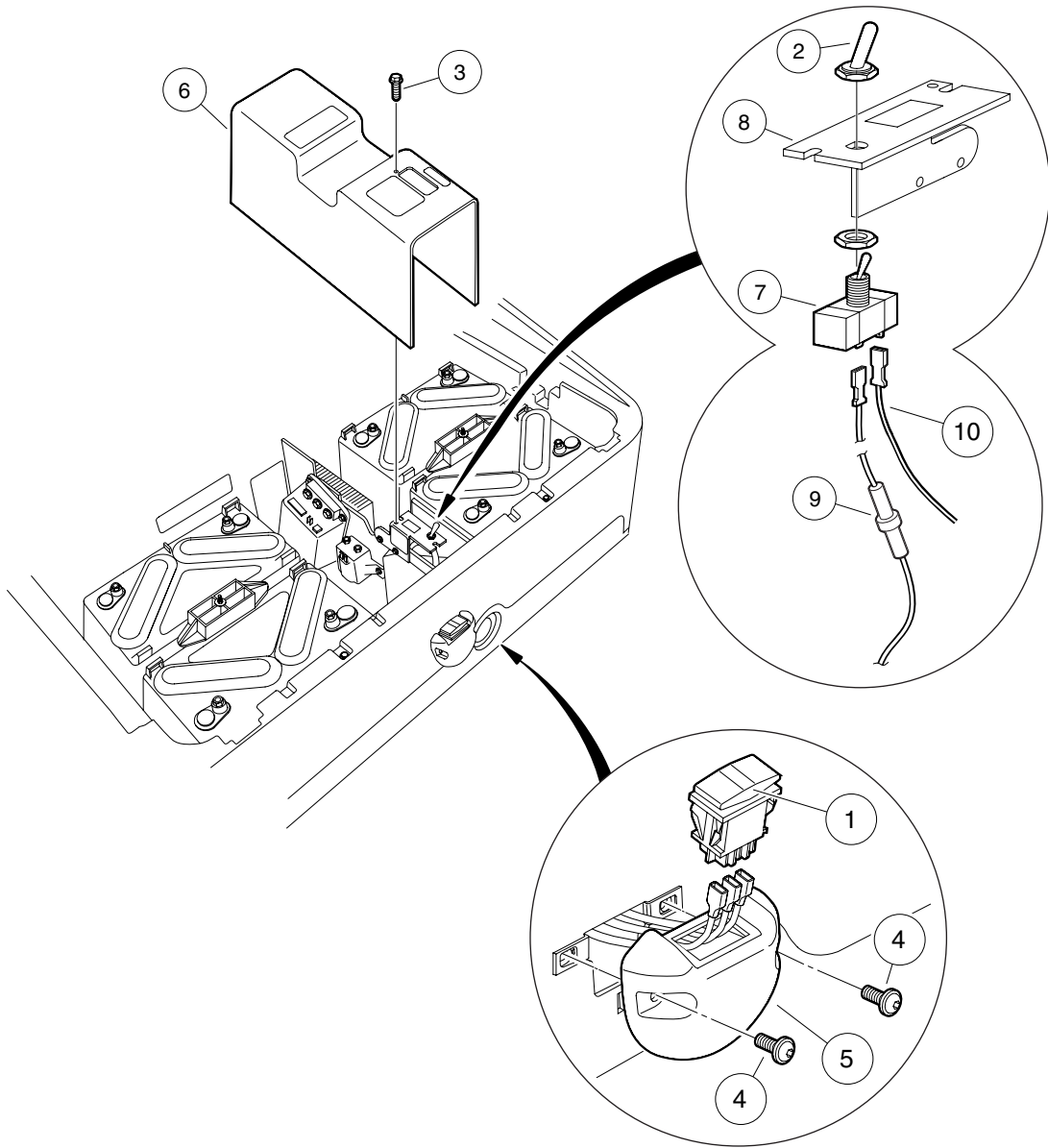
See previous two pages for illustration.

WIRING – ELECTRIC VEHICLE

ITEM	PART NO.	DESCRIPTION	QTY
		1 2 3 4	
1	102510101	Motor Sub-harness	1
2	102550301	Sub Harness Charger, Prec	1
3	102585801	Prec Elec Harness For 1510a	1
4	102590001	Prec Ce Tow-switch Diode	1
<p>Note: Item 4 is used on vehicles going to the European Union.</p>			

13

E



000462-001

FORWARD/REVERSE SWITCH AND TOW/RUN SWITCH – ELECTRIC VEHICLE

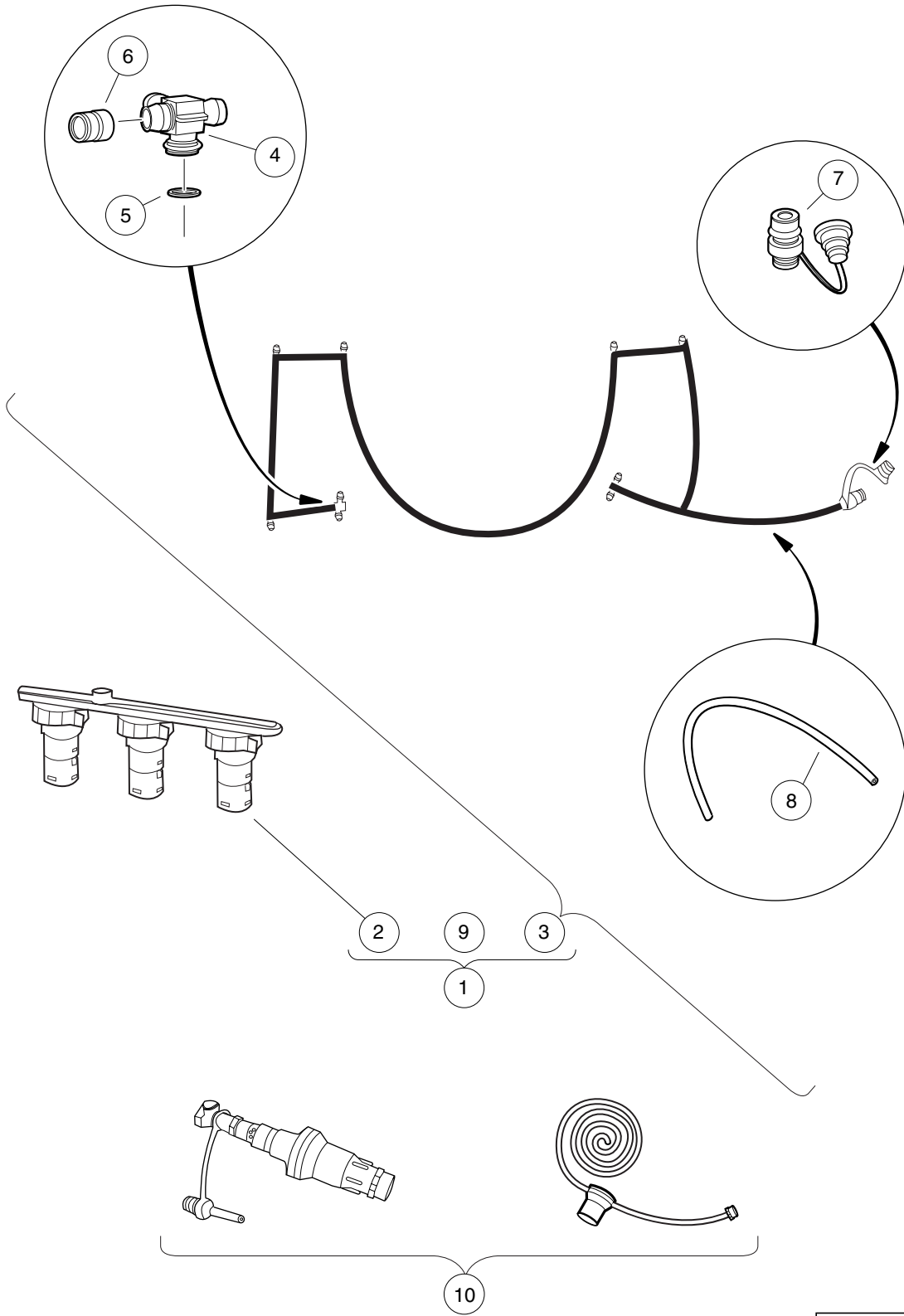
ITEM	PART NO.	DESCRIPTION	QTY
		1 2 3 4	
1	101856001	Switch, Rocker, Double-Pole	1
2	101908401	Boot, Switch	1
3	102296716	Screw, M6 X 16 Tt Hx Fl Hd	1
4	102296920	Screw, M6 Torx Bttn Hd Sems	2
5	102508401	Housing, FNR Electric	1
6	102510901	Cover, Electronics Module	1
7	102511101	Switch, Tow	1
8	102520001	Hour Meter/tow Switch Bkt	1
9	102538601	15 Amp Fuse	1
10	102576801	Diode Asm, Precedent	1

13

E

13

E



000731-001

SINGLE POINT WATERING SYSTEM

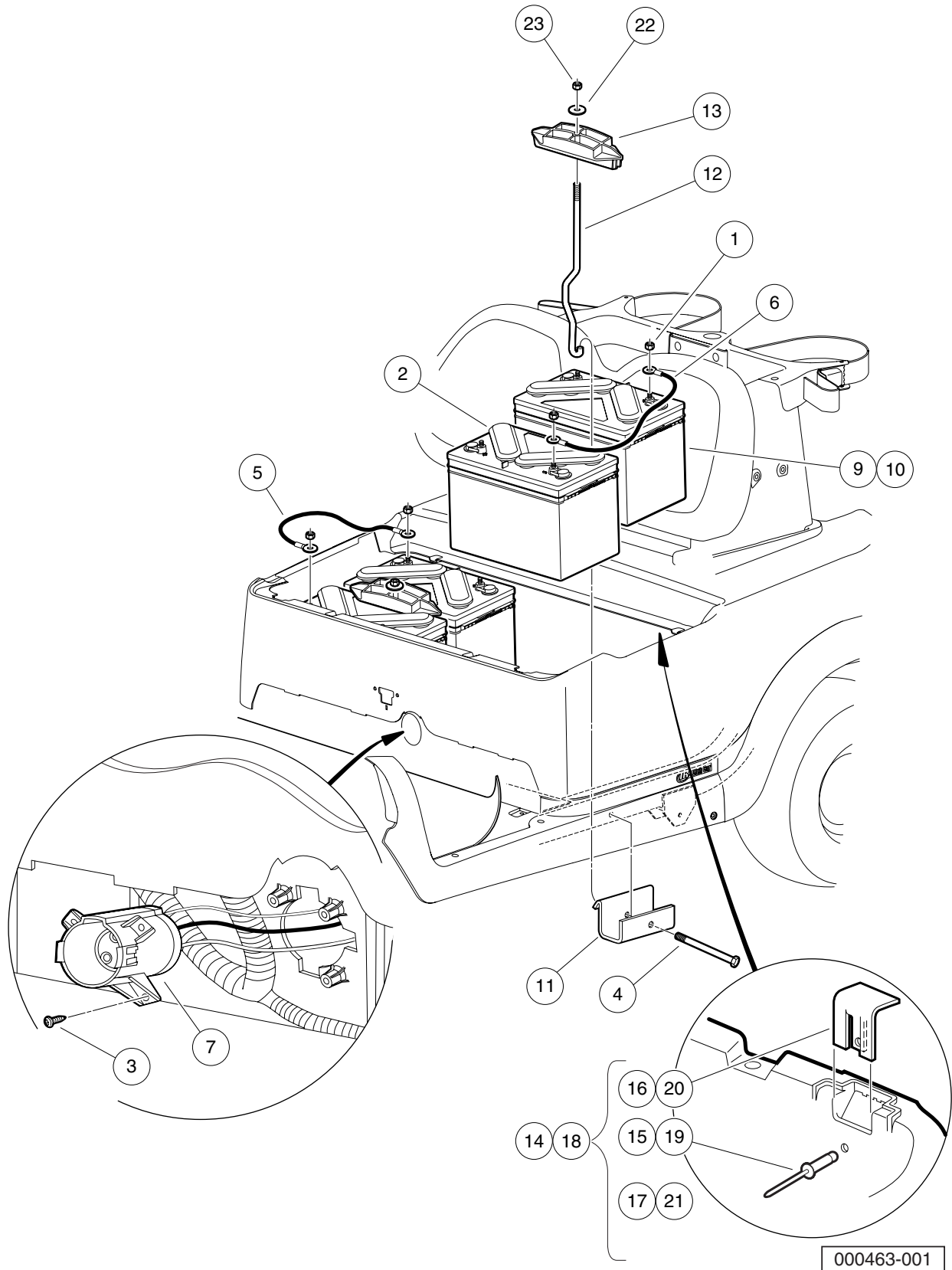
ITEM	PART NO.	DESCRIPTION	QTY
		1 2 3 4	
1	102956301	Kit Spws Prec Fr (includes items 2 through 9)	1
2	102956401	Manifold, SPWS (Single-Point Watering System)	8
3	102956501	Assy Tube Single-Point Watering System, Precedent (includes items 4 through 8)	1
4	103226201	Fitting Spws Swivel T	8
5	103226301	O-ring Spws Swivel T	8
6	103226401	Cap Spws Swivel T Red	9
7	103226601	Coupler Male Spws Supply	1
8	103226701	Tubing Spws Bulk Roll	1
9	102989101	Instr Spws Kit Prec Ds Fr	1
10	102958001	Kit Regulated Hose Sply Spws	1

13

E

13

E

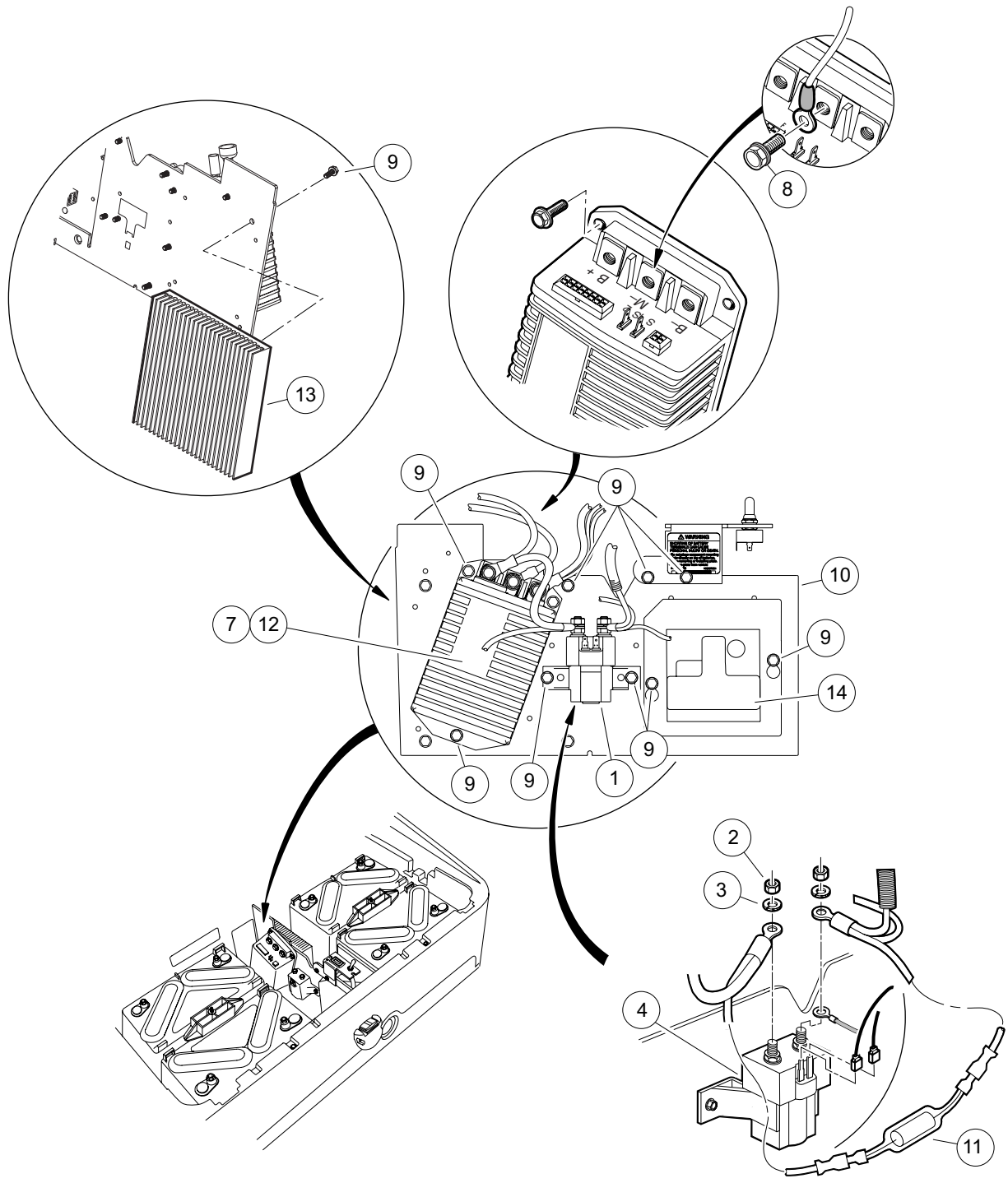


BATTERIES, BUCKET, AND CHARGER RECEPTACLE – ELECTRIC VEHICLE

ITEM	PART NO.	DESCRIPTION	QTY
		1 2 3 4	
1	1014304	Nut, 5/16-18 Stainless-Steel Hex	8
2	101831401	Battery Cap 6 Volt	8
3	102293512	Screw-k35 Torx Pan Head Pt	3
4	102298770	M8-1.25x70 Taptite	2
5	102509701	Cable - Ev Passenger Jumper	1
6	102509801	Cable - Ev Rear Jumper	2
7	102510201	Receptacle Asm	1
8	102510601	Bucket-Electric Vehicle (not shown)	1
9	102511301	Battery, Ventmaster 12-Volt (Wet)	4
10	102511302	Battery, Ventmaster 12-Volt (Dry, also known as moist)	4
11	102526401	Support - Battery Clamp	2
12	102526801	Rod - Battery Clamp	2
13	102534001	Clamp - Battery	2
14	102577001	Kit, Bucket Closeout (includes items 15 through 17)	1
15	1013357	Rivet, 5/32 Aluminum Pop	2
16	N/A	Bracket, Bucket Closeout	2
17	N/A	Instr. Bucket Closeout	1
18	102577002	Kit, Bucket Closeout - 10 Sets (includes items 19 through 21)	1
19	1013357	Rivet, 5/32 Aluminum Pop	20
20	N/A	Bracket, Bucket Closeout	20
21	N/A	Instr. Bucket Closeout	1
22	808	Washer, 3/8 Type B Flat	2
23	8754	Locknut, 3/8-16 Hex	2

13

E



000486-001

COMPUTER, CONTROLLER, AND SOLENOID – ELECTRIC VEHICLE

ITEM	PART NO.	DESCRIPTION	QTY
		1 2 3 4	
1	101908701	Solenoid, 48-Volt (includes items 2 through 6)	1
2	1012528	Nut, M8-1.25 Hex	2
3	1013734	Lockwasher, 8mm Split	2
4	N/A	Solenoid, 48-Volt	1
5	N/A	Washer, Lock	2
6	N/A	Nut	2
7	101956503	Controller, 48-volt, IQ, CE Mark	1
8	102240501	Bolt, Controller, Terminal	3
9	102296716	Screw, M6 X 16 Tt Hx Fl Hd	13
10	102510802	Plate - Heat Sink Mntg Solnd	1
11	102522701	Asm, Pre-charge Resistor	1
12	102806201	Controller, IQ, 48-volt	1
13	103262001	Heat Sink Prec	1
14	103403201	Precedent V3.0 Obc	1
<p>Note: Item 7 is for vehicles shipped to the European Union. Items 5 & 6 are not used in this application.</p>			

13

E

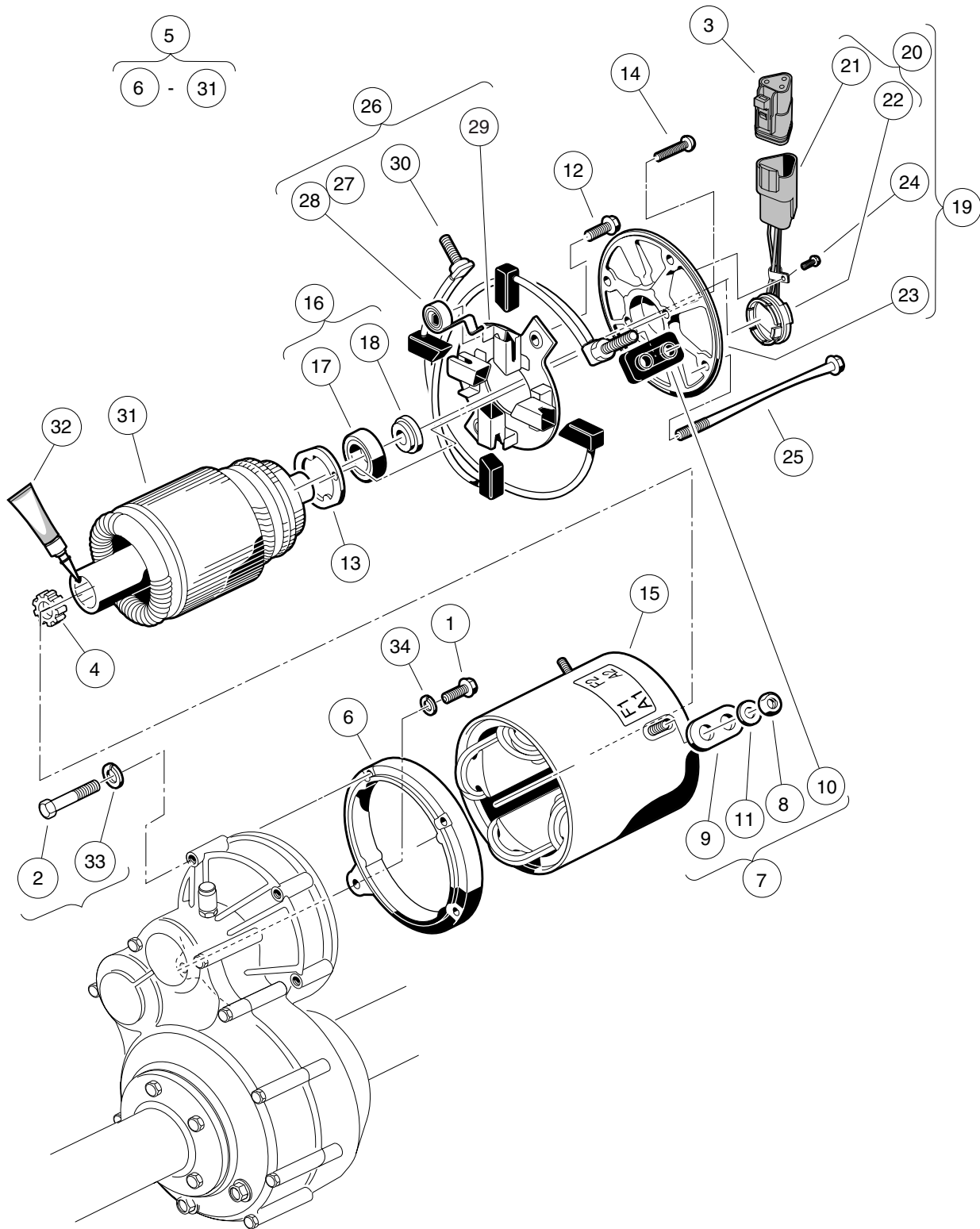
13

E

ELECTRIC MOTOR

14

E



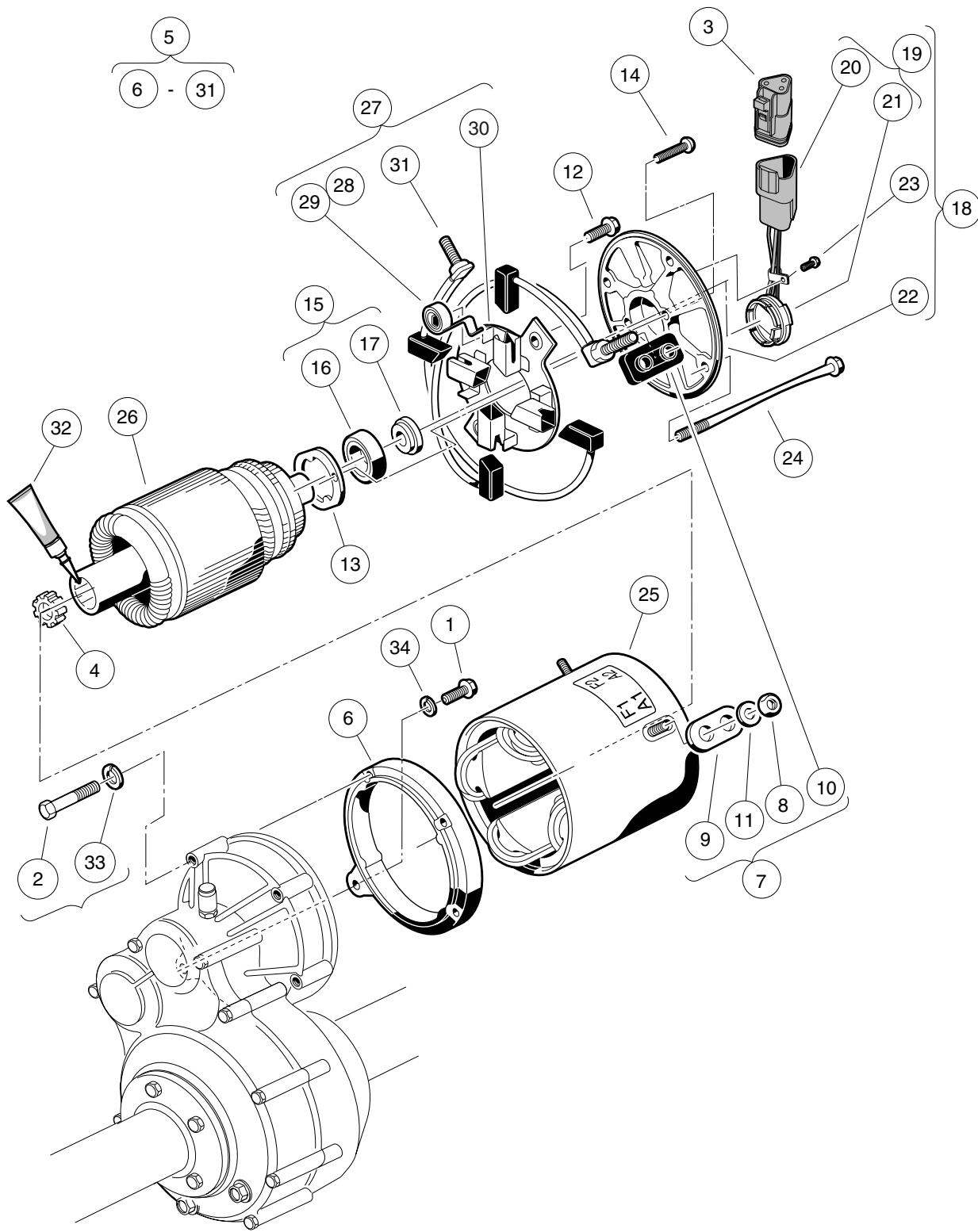
000349-001

MOTOR (MODEL 5BC59JBS6365) – ELECTRIC VEHICLE

ITEM	PART NO.	DESCRIPTION	QTY
		1 2 3 4	
1	1010934	Screw, 5/16-18 X 1.00 Hex Cap	1
2	1014201	Screw, 1/4-20 X 2.25 Hex Cap	3
3	101920101	Kit, 3-Pin Wedge Lock	1
4	102235201	Bumper, Drive Unit	1
5	N/A	Motor, 48-Volt Shunt-Wound * (includes items 6 through 31)	1
6	1017944	End Shield	1
7	1017947	Hardware Package (includes items 8 through 11)	1
8	1011280	Locknut, 5/16-18	4
9	N/A	Insulator Bushing	2
10	N/A	Insulated Bushing	2
11	1241	Washer, 5/16 Type A Flat	4
12	1017949	Screw, #6-32 X 0.480 Hex-Head	2
13	1017950	Bearing Retainer	1
14	1017953	Screw, Bearing Retainer	2
15	102265501	Stator Shell and Winding	1
16	102265701	Kit, Bearing and Magnet (includes items 17 and 18)	1
17	N/A	Ball Bearing	1
18	N/A	Magnet	1
19	102265901	Motor End Shield Asm (includes items 20 through 24)	1
20	102265601	Speed Sensor Assembly (includes items 21 and 22)	1
21	101942301	Kit, 3-Pin Wedge Lock	1
22	N/A	Sensor, Speed, without Connector	1
23	102266001	End Shield, Motor	1
24	102267001	Screw, #8-32 X 0.375 Hex-Head	1
25	102266101	Screw, #10 - 32 X 8.250	4
26	102327801	Brush Assembly, Beveled (includes items 27 through 30)	1
27	1011411	Kit, Brush Spring (ge Motor) (includes item 28)	1
28	N/A	Brush Spring	4
29	1017948	Brush Rigging	1
30	102251901	Brush Kit, Motor	1
31	N/A	Armature	1
32	102243403	Lubricant, Moly-Teflon (Single-Use Tube)	1
33	451	Lockwasher, 1/4 Helical Split	3
34	7174	Lockwasher, 5/16 Split	1
		* Note: The model 5BC59JBS6365 motor has been discontinued. To replace the motor, use motor model 5BC59JBS6390.	

14

E



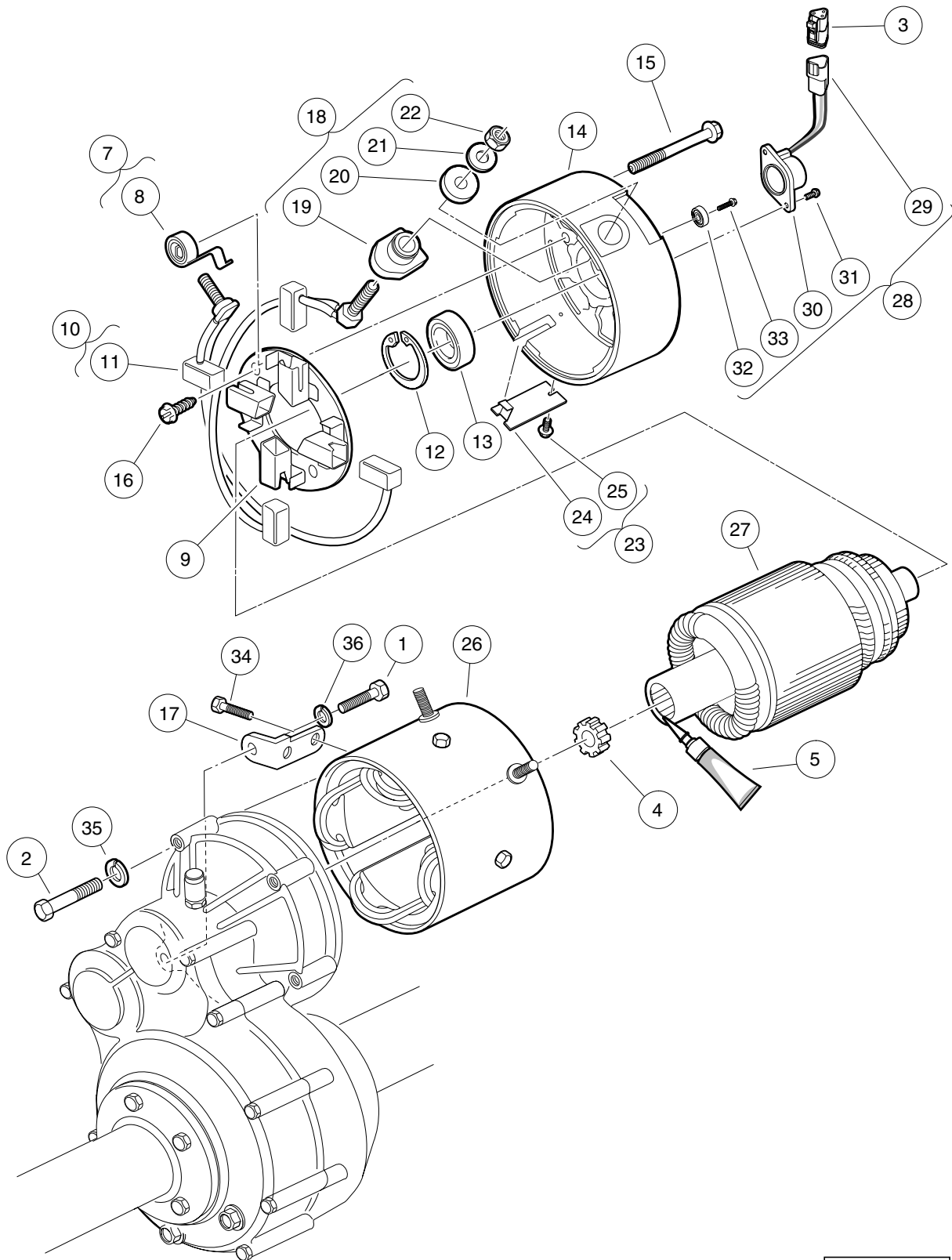
000349-002

MOTOR (MODEL 5BC59JBS6365A) – ELECTRIC VEHICLE (LATER VERSION)

ITEM	PART NO.	DESCRIPTION	QTY
		1 2 3 4	
1	1010934	Screw, 5/16-18 X 1.00 Hex Cap	1
2	1014201	Screw, 1/4-20 X 2.25 Hex Cap	3
3	101920101	Kit, 3-Pin Wedge Lock	1
4	102235201	Bumper, Drive Unit	1
5	102240104	Motor, 48-Volt Non-Skew IQ (includes items 6 through 27)	1
6	1017944	End Shield	1
7	1017947	Hardware Package (includes items 8 through 11)	1
8	1011280	Locknut, 5/16-18	4
9	N/A	Insulator Bushing	2
10	N/A	Insulated Bushing	2
11	1241	Washer, 5/16 Type A Flat	4
12	1017949	Screw, #6-32 X 0.480 Hex-Head	2
13	1017950	Bearing Retainer	1
14	1017953	Screw, Bearing Retainer	2
15	102265701	Kit, Bearing and Magnet (includes items 16 and 17)	1
16	N/A	Ball Bearing	1
17	N/A	Magnet	1
18	102265901	Motor End Shield Asm (includes items 19 through 23)	1
19	102265601	Speed Sensor Assembly (includes items 20 and 21)	1
20	101942301	Kit, 3-Pin Wedge Lock	1
21	N/A	Sensor, Speed, without Connector	1
22	102266001	End Shield, Motor	1
23	102267001	Screw, #8-32 X 0.375 Hex-Head	1
24	102266101	Screw, #10 - 32 X 8.250	4
25	103325701	Stator Shell and Winding	1
26	N/A	Non Skew Armature	1
27	103337601	Brush Assembly, IQ Motor, Non-Skew (includes items 28 through 31)	1
28	1011411	Kit, Brush Spring (ge Motor) (includes item 29)	1
29	N/A	Brush Spring	4
30	103325501	Brush Rigging, Non-Skew Motor	1
31	103325601	Brush Set, Non-Skew	1
32	102243403	Lubricant, Moly-Teflon (Single-Use Tube)	1
33	451	Lockwasher, 1/4 Helical Split	3
34	7174	Lockwasher, 5/16 Split	1

14

E



000185-001

MOTOR (MODEL EJ4-4001) – ELECTRIC VEHICLE

ITEM	PART NO.	DESCRIPTION	QTY
		1 2 3 4	
1	1010934	Screw, 5/16-18 X 1.00 Hex Cap	1
2	1014201	Screw, 1/4-20 X 2.25 Hex Cap	3
3	101920101	Kit, 3-Pin Wedge Lock	1
4	102235201	Bumper, Drive Unit	1
5	102243403	Lubricant, Moly-Teflon (Single-Use Tube)	1
6	102705001	IQ Electric Motor, 48-VDC 3.3 hp (includes items 7 through 34)	1
7	102186001	Spring Kit, Motor Brush (includes item 8)	1
8	N/A	Spring, Brush, S-g	4
9	102186101	Brush Box Assembly	1
10	102186201	Brush Kit, Motor (includes item 11)	1
11	N/A	Assembly, Brush and Terminal	2
12	102186301	Ring, 2.24" Internal Retaining	1
13	102186401	Bearing, Ball	1
14	102186701	End Cap, Motor	1
15	102186801	Screw, 1/4-20 X 2.25 Hex-Head Washer	2
16	102186901	Screw, #8-32 X .5 Hex-Head	2
17	102187001	L-Bracket, Motor	1
18	102187101	Hardware Kit, Motor Terminal (includes items 19 through 22)	2
19	N/A	Bushing, Nylon	2
20	N/A	Washer, Nylon Flat	2
21	N/A	Washer, Flat, 5/16 Steel	2
22	N/A	Nut, Brass Hex, 5/16 - 18	2
23	102187201	Plate Kit, Motor Cover (includes items 24 and 25)	1
24	N/A	Assembly, Cover Plate	1
25	N/A	Screw, #8-32 x 0.375, Taptite Thread	1
26	102704701	Frame and Field Assembly	1
27	102704801	Armature Assembly	1
28	102704901	Kit, Speed Sensor (includes items 29 through 33)	1
29	101942301	Kit, 3-Pin Wedge Lock	1
30	N/A	Sensor, Motor Speed, ADC	1
31	N/A	Screw, #8-32, Taptite Thread	2
32	N/A	Magnet, ADC Motor	1
33	N/A	Screw, 1/4-20 x 0.5	1
34	N/A	Bolt, 1/4 - 20 x 0.73 Thread-Forming	2
35	451	Lockwasher, 1/4 Helical Split	3
36	7174	Lockwasher, 5/16 Split	1

14

E

14

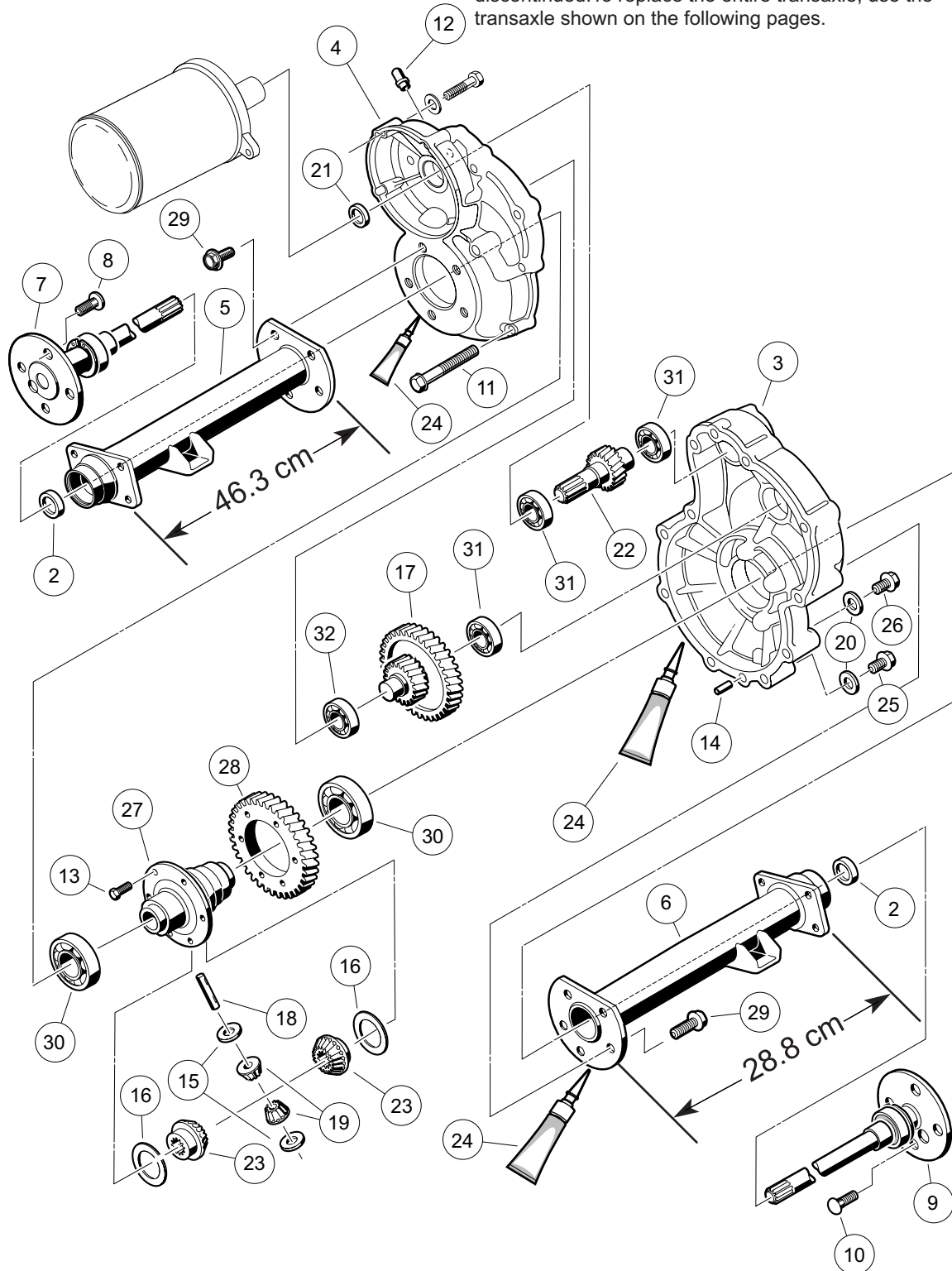
E

TRANSAXLE – ELECTRIC VEHICLES

15

E

Note: This transaxle (as a complete unit) has been discontinued. To replace the entire transaxle, use the transaxle shown on the following pages.



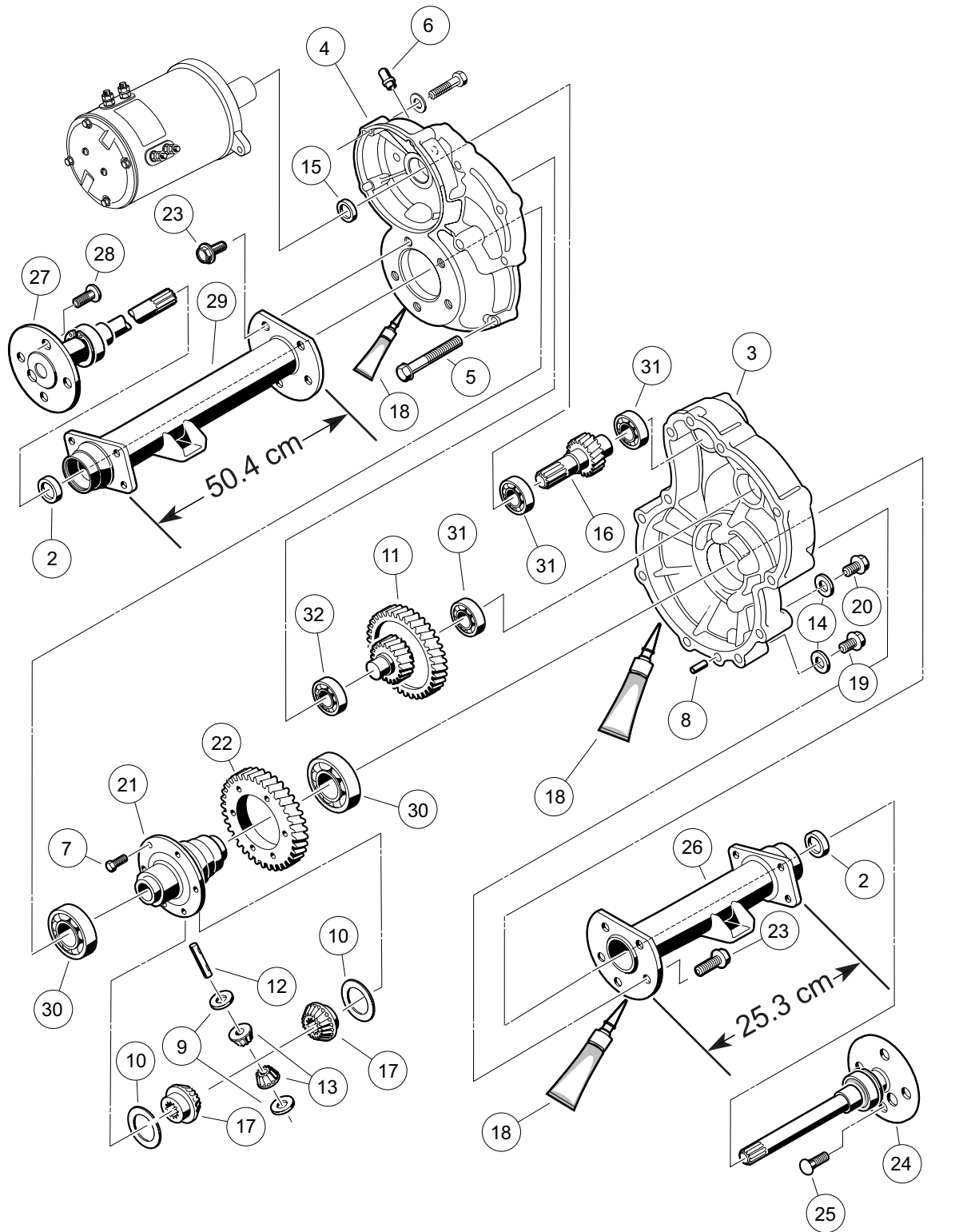
000223-001

TRANSAXLE – ELECTRIC VEHICLE (EARLIER VERSION)

ITEM	PART NO.	DESCRIPTION	QTY
		1 2 3 4	
1	N/A	Transaxle -12.3 (includes items 2 through 32)	1
2	1013794	Axle Shaft Oil Seal	2
3	101895401	Gear Case, Left-Hand	1
4	101895501	Gear Case, Passenger-Side	1
5	101895601	Tube, Axle, Passenger-Side	1
6	101895701	Tube, Axle, Driver-Side	1
7	101895801	Axle Assembly, Passenger-Side (includes item 8)	1
8	101922201	Lug Stud	4
9	101895901	Axle Assembly, Driver-Side (includes item 10)	1
10	101922201	Lug Stud	4
11	101897001	Screw, M8-1.25 X 60mm Hex-Head	11
12	101897201	Breather	1
13	101897401	Screw, M10-1.25 X 25mm	6
14	101897601	Pin, 11mm OD X 8.5mm ID X 10mm	2
15	101903601	Washer, Thrust	2
16	101903701	Washer, Thrust	2
17	101906901	Intermediate Shaft Assembly	1
18	101922101	Pin, 15.99mm X 88.7mm Dowel	1
19	101923001	Gear, Differential Idler	2
20	101923201	Gasket	2
21	101923501	Seal, Lip	1
22	101923701	Shaft, Input	1
23	101923901	Gear, Differential	2
24	101928701	Liquid Gasket (Transaxle case)	A/R
25	101972101	Plug, M14-1.5 X 12mm Magnetic	1
26	101972201	Plug, M14-1.5 X 12mm Hex	1
27	102356601	Housing, Differential, 6 Bolt	1
28	102356801	Gear, Differential Output, 6-Bolt	1
29	102357001	Screw, Flg Hd M10 X 1.5 X 30	10
30	7330	Inner Axle Tube Bearing	2
31	7335	Bearing	3
32	7336	Bearing	1
<p>Note: If either the Differential Output Gear (item 28) or the Differential Housing (item 27) require replacement, both must be purchased at the same time. Items 27 and 28 are replacements for all gear and differential housing combinations in this transaxle.</p>			

15

E



000223-002

TRANSAXLE – ELECTRIC VEHICLE (LATER VERSION)

ITEM	PART NO.	DESCRIPTION	QTY
		1 2 3 4	
1	102771701	Transaxle, Electric (includes items 2 through 32)	1
2	1013794	Axle Shaft Oil Seal	2
3	101895401	Gear Case, Left-Hand	1
4	101895501	Gear Case, Passenger-Side	1
5	101897001	Screw, M8-1.25 X 60mm Hex-Head	11
6	101897201	Breather	1
7	101897401	Screw, M10-1.25 X 25mm	6
8	101897601	Pin, 11mm OD X 8.5mm ID X 10mm	2
9	101903601	Washer, Thrust	2
10	101903701	Washer, Thrust	2
11	101906901	Intermediate Shaft Assembly	1
12	101922101	Pin, 15.99mm X 88.7mm Dowel	1
13	101923001	Gear, Differential Idler	2
14	101923201	Gasket	2
15	101923501	Seal, Lip	1
16	101923701	Shaft, Input	1
17	101923901	Gear, Differential	2
18	101928701	Liquid Gasket (Transaxle case)	A/R
19	101972101	Plug, M14-1.5 X 12mm Magnetic	1
20	101972201	Plug, M14-1.5 X 12mm Hex	1
21	102356601	Housing, Differential, 6 Bolt	1
22	102356801	Gear, Differential Output, 6-Bolt	1
23	102357001	Screw, Flg Hd M10 X 1.5 X 30	10
24	102886301	Axle Assembly, Driver-Side (includes item 25)	1
25	101922201	Lug Stud	4
26	102886401	Tube, Axle, Driver-Side	1
27	102886501	Axle Assembly, Passenger-Side (includes item 28)	1
28	101922201	Lug Stud	4
29	102886601	Tube, Axle, Passenger-Side	1
30	7330	Inner Axle Tube Bearing	2
31	7335	Bearing	3
32	7336	Bearing	1

15

E

15

E

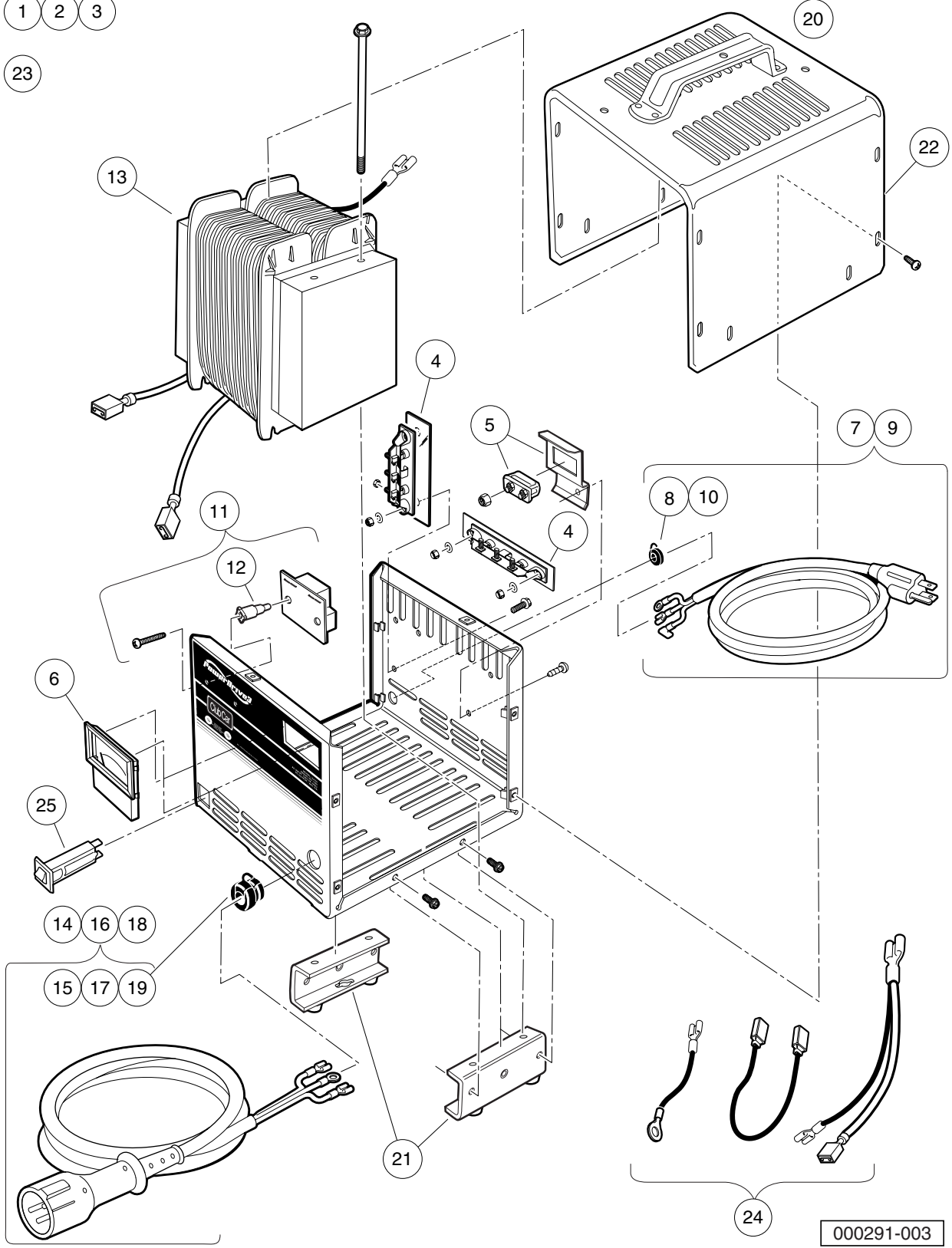
BATTERY CHARGER

16

E

1 2 3

23



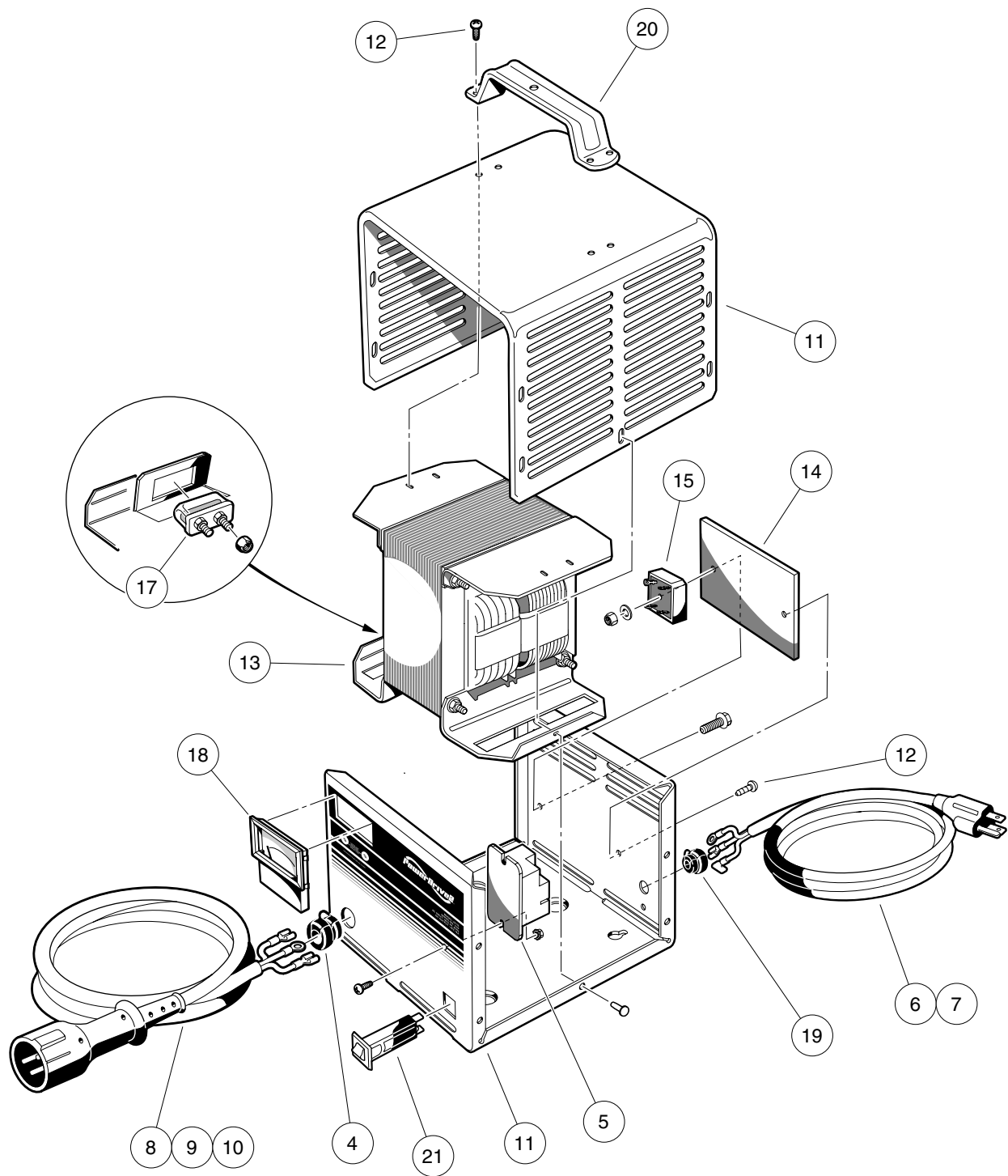
000291-003

POWERDRIVE 3 BATTERY CHARGER, DOMESTIC

ITEM	PART NO.	DESCRIPTION	QTY
		1 2 3 4	
1	103499101	Chgr, Pd3 Stnry, 9Dc/6'Ac'	1
2	103499102	Chgr, Pd3 Stnry, 12Dc/9'Ac'	1
3	103499103	Chgr, Pd3 Stnry, 20Dc/9'Ac'(includes items 4 through 25)	1
4	1015914	Rectifier with Heatsink Assembly	2
5	102273701	PD2 Fuse Asm	1
6	102273801	PD2 Ammeter	1
7	103428501	Kit, PD3 Cordset - AC 80" (includes item 8)	1
8	102273901	PD2 AC Cord Bushing	1
9	103428601	Kit, PD3 Cordset, - AC 114" (includes item 10)	1
10	102273901	PD2 AC Cord Bushing	1
11	103428701	Asm, PD3 Board Relay (includes item 12)	1
12	103429701	PD3 Plastic Stand-Offs	2
13	103428801	PD3 Transformer	1
14	103429001	PD3 Cordset - DC 113" (includes item 15)	1
15	1012098	Bushing, DC Cord	1
16	103429101	PD3 Cordset - DC 154" (includes item 17)	1
17	1012098	Bushing, DC Cord	1
18	103429201	PD3 Cordset - DC 205" (includes item 19)	1
19	1012098	Bushing, DC Cord	1
20	103429301	Asm, PD3 Case (includes items 21 and 22)	1
21	103434001	Asm, PD3 Legs	1
22	103439901	PD3Case Top (Includes Handle)	1
23	103429501	Kit, PD3 Hardware	1
24	103429601	Kit, PD3 Wires	1
25	CCX8506	Circuit Breaker, 15-Amp/120-Volt	1

16

E



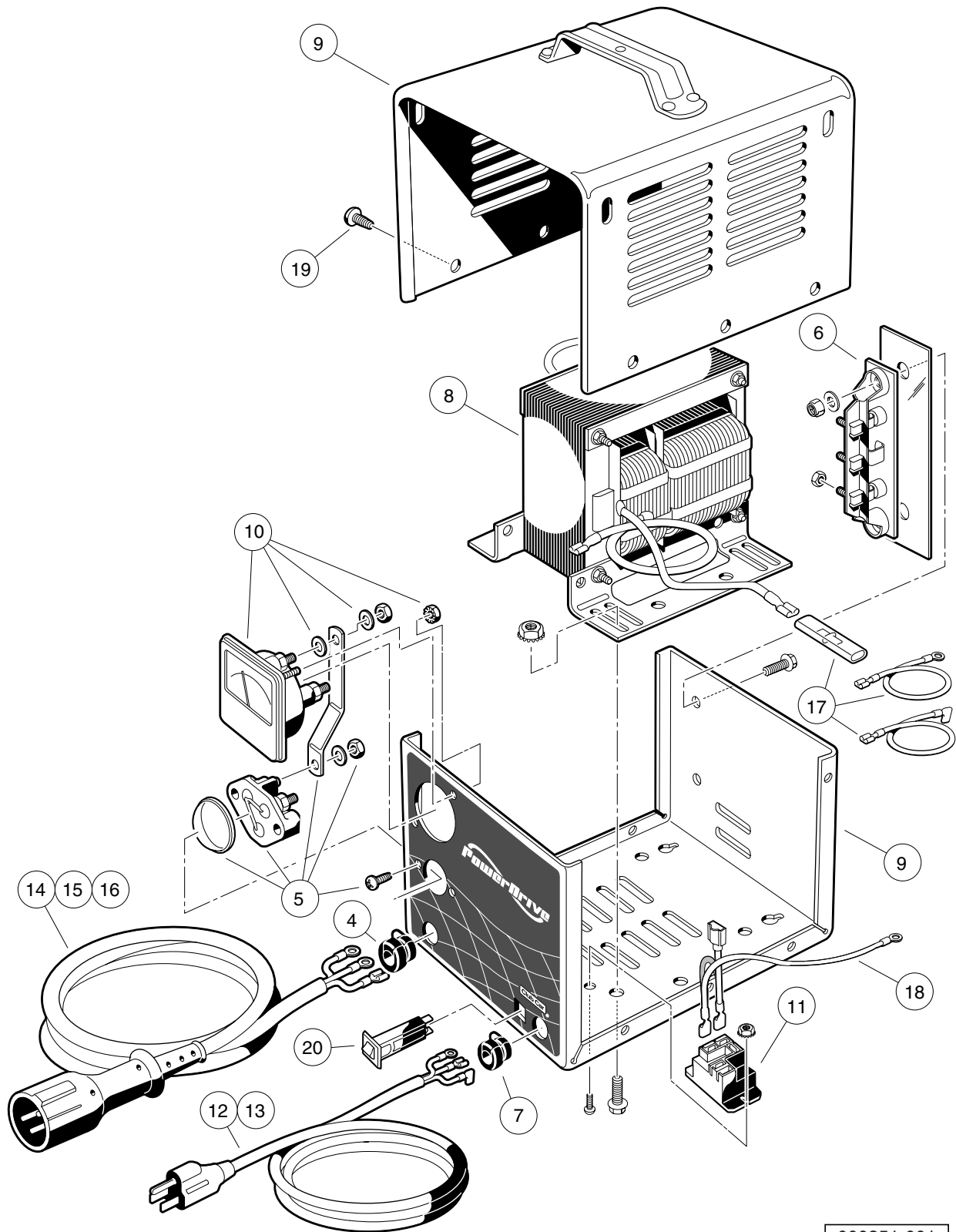
000291-001

POWERDRIVE 2 BATTERY CHARGER (MODEL 22110), DOMESTIC

ITEM	PART NO.	DESCRIPTION	QTY
		1 2 3 4	
1	N/A	48-V/13-A PowerDrive 2 (9-ft. DC, 6-ft. AC)	1
2	N/A	48-V/13-A PowerDrive 2 (12-ft. DC, 9-ft. AC)	1
3	N/A	48-V/13-A PowerDrive 2 (20-ft. DC, 9-ft. AC) (includes items 4 through 21)	1
4	1012098	Bushing, DC Cord	1
5	101828601	Relay, 48-Volt	1
6	101828801	Cord, AC, 80-Inch (203 cm)	1
7	101828802	Cord, AC, 108-Inch (274 cm)	1
8	101828904	PD2 DC Cordset, 113-inch	1
9	101828905	PD2 DC Cordset, 154-inch	1
10	101828906	Pd2 Dc Cordset 250 Inch	1
11	102273201	PD2 Case (includes item 12)	1
12	7577	Screw, #10 X 0.50 Phillips Pan-Head	12
13	102273301	PD2 Transformer Asm	1
14	102273401	PD2 Heatsink	1
15	102273501	PD2 Diode Bridge w/Film	1
16	102273601	PD2 Wire Asm	1
17	102273701	PD2 Fuse Asm	1
18	102273801	PD2 Ammeter	1
19	102273901	PD2 AC Cord Bushing	1
20	102274001	PD2 Handle	1
21	CCX8506	Circuit Breaker, 15-Amp/120-Volt	1
<p style="text-align: center;">Note: Item 16 not shown. Level 1 Battery Charger part numbers include one AC and one DC cord. They do not include all of the level 2 cords listed.</p>			

16

E



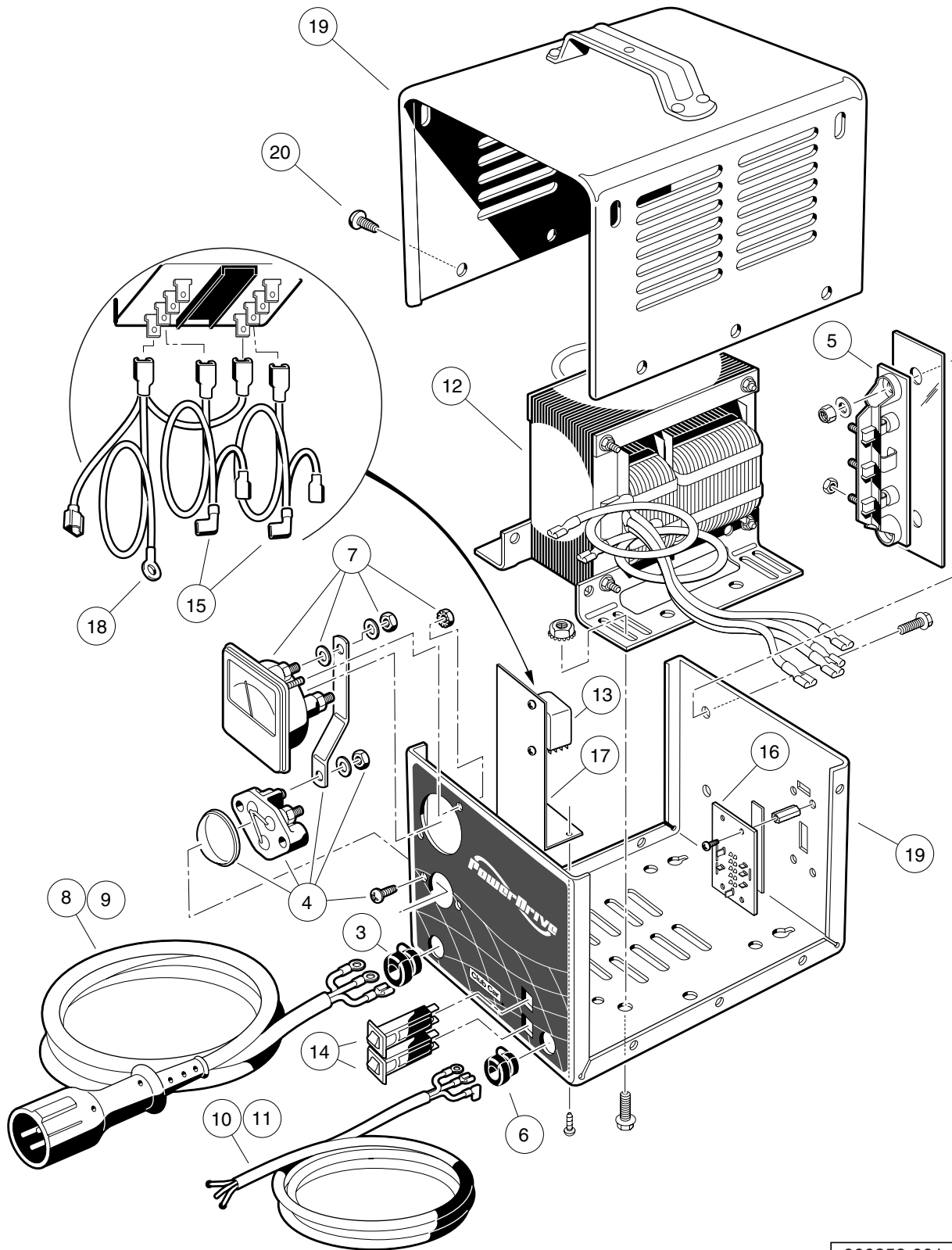
000351-001

POWERDRIVE BATTERY CHARGER (MODEL 17930), DOMESTIC

ITEM	PART NO.	DESCRIPTION	QTY
		1 2 3 4	
1	101802201	48V/17A PowerDrive (9-ft DC, 6-ft AC Cord)	1
2	101802202	48V/17A PowerDrive (12-ft DC, 9-ft AC Cord)	1
3	101802203	48V/17A PowerDrive (20-ft DC, 9-ft AC Cord) (includes items 4 through 20)	1
4	1012098	Bushing, DC Cord	1
5	1012101	Fuse Assembly	1
6	1015914	Rectifier with Heatsink Assembly	1
7	1015917	Bushing, AC Cord	1
8	****	Transformer, Battery Charger	1
9	101828301	Case Assembly	1
10	****	Ammeter	1
11	101828601	Relay, 48-Volt	1
12	101828801	Cord, AC, 80-Inch (203 cm)	1
13	101828802	Cord, AC, 108-Inch (274 cm)	1
14	101828901	Cord, DC, 113-Inch (287 cm)	1
15	101828902	Cord, DC, 154-Inch (391 cm)	1
16	101828903	Cord, DC, 250-Inch (635 cm)	1
17	101831101	Wire Assembly Kit	1
18	101914401	Assembly, Voltage Suppressor	1
19	7577	Screw, #10 X 0.50 Phillips Pan-Head	10
20	CCX8506	Circuit Breaker, 15-Amp/120-Volt	1
<p>**** Special order item available upon request.</p> <p>Note: Level 1 Battery Charger part numbers include one AC and one DC cord. They do not include all of the level 2 cords listed.</p>			

16

E



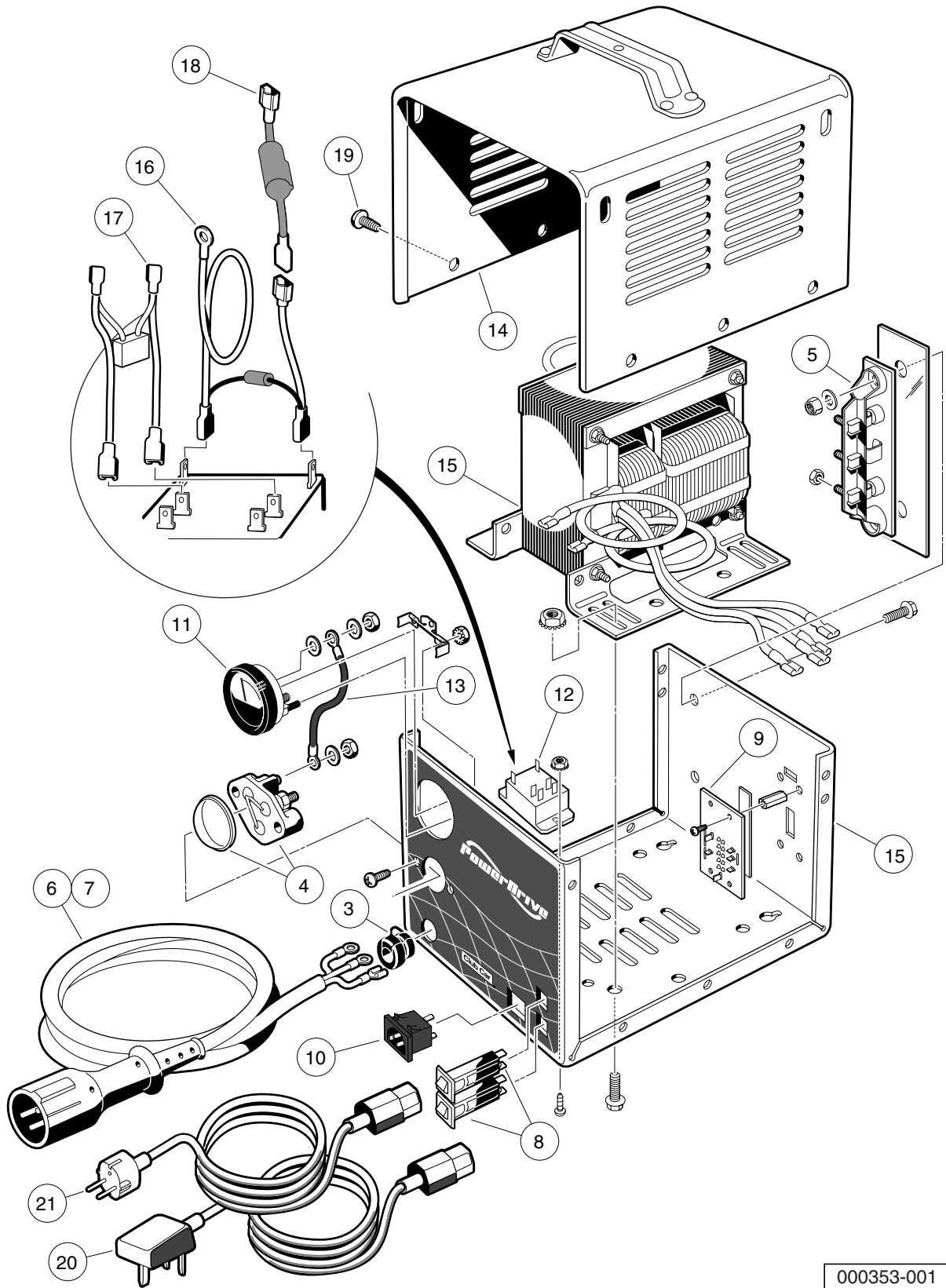
000352-001

POWERDRIVE BATTERY CHARGER (MODEL 18780), EXPORT

ITEM	PART NO.	DESCRIPTION	QTY
		1 2 3 4	
1	101831503	Battery Charger, 48-Volt DC (8.5-ft DC, 6-ft AC)	1
2	101831504	Battery Charger, 48-Volt DC (12-ft DC, 9-ft AC) (includes items 3 through 20)	1
3	1012098	Bushing, DC Cord	1
4	1012101	Fuse Assembly	1
5	1015914	Rectifier with Heatsink Assembly	1
6	1015917	Bushing, AC Cord	1
7	****	Ammeter	1
8	101828901	Cord, DC, 113-Inch (287 cm)	1
9	101828902	Cord, DC, 154-Inch (391 cm)	1
10	101831701	Cord, AC, 80-Inch (203 cm), without Plug	1
11	****	Cord, AC, 118-Inch (203 cm), without Plug	1
12	101838201	Transformer, Export Battery Charger	1
13	101838301	Relay, Export Charger	1
14	101838401	Circuit Breaker	2
15	101838501	Kit, Wire Assembly	1
16	101838601	Four-Position Switch	1
17	****	Mounting Bracket, Relay	1
18	101914401	Assembly, Voltage Suppressor	1
19	N/A	Case, Charger	1
20	7577	Screw, #10 X 0.50 Phillips Pan-Head	10
<p>**** Special order item available upon request.</p> <p>Note: Level 1 Battery Charger part numbers include one AC and one DC cord. They do not include all of the level 2 cords listed.</p>			

16

E



000353-001

POWERDRIVE BATTERY CHARGER (MODEL 20310), EUROPEAN

ITEM	PART NO.	DESCRIPTION	QTY
		1 2 3 4	
1	101956201	Battery Charger, 48-Volt w/ 4-Position Switch (8.5-ft DC)	1
2	101956202	Battery Charger, 48-Volt w/ 4-Pos. Switch (12-ft DC) (includes items 3 through 19)	1
3	1012098	Bushing, DC Cord	1
4	1012101	Fuse Assembly	1
5	1015914	Rectifier with Heatsink Assembly	1
6	101828901	Cord, DC, 113-Inch (287 cm)	1
7	101828902	Cord, DC, 154-Inch (391 cm)	1
8	101838401	Circuit Breaker	2
9	101838601	Four-Position Switch	1
10	101973501	Receptacle, AC Cord	1
11	101976601	Ammeter with Mounting Bracket	1
12	101987501	Relay	1
13	N/A	Wire, Jumper	1
14	N/A	Case, Charger	1
15	****	Transformer, European Battery Charger	1
16	****	Suppressor, AC Voltage	1
17	****	Assembly, Wire	1
18	****	Limiter, Current	1
19	7577	Screw, #10 X 0.50 Phillips Pan-Head	10
20	101958201	Cord, UK, AC, Battery Charger	1
21	101958301	Cord, European AC, Battery Charger	1
<p style="text-align: center;">**** Special order item available upon request.</p> <p style="text-align: center;">Note: Level 1 Battery Charger part numbers include one AC and one DC cord. They do not include all of the level 2 cords listed.</p>			

16

E

16

E

MAINTENANCE AND SERVICE TOOLS

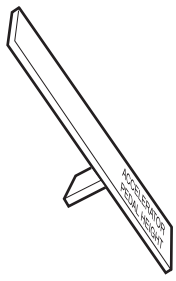
17

G

E

D

**17
G
E
D**



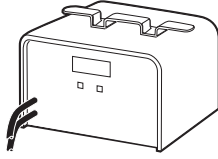
1



2



3



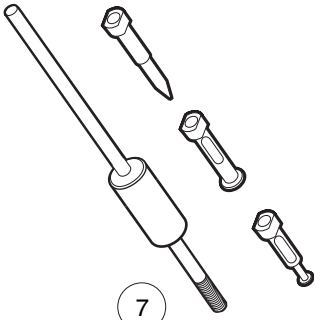
4



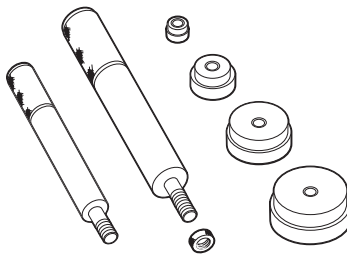
5



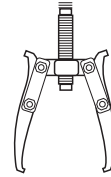
6



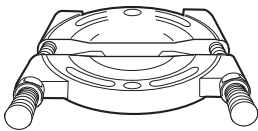
7



8



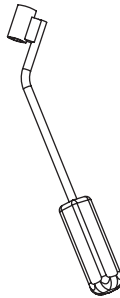
9



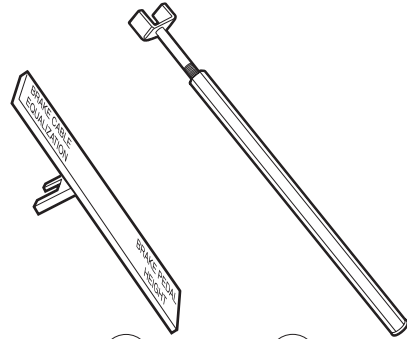
10



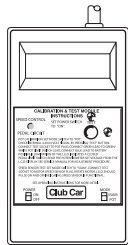
11



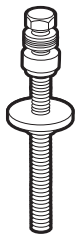
12



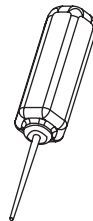
14 15
13



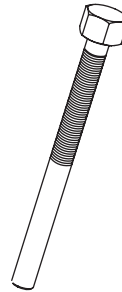
16



17



18



19

MAINTENANCE AND SERVICE TOOLS

ITEM	PART NO.	DESCRIPTION	QTY DIESEL	QTY GAS	QTY ELEC
		<p style="margin: 0;">1 2 3 4</p> <p style="margin: 0;">The following tool list includes all tools available from Club Car for maintenance and service procedures for gasoline, electric, and/or diesel vehicles, both past and present models. Be sure to carefully examine the tool list for applicability to your vehicle before ordering.</p>			
1	101871001	Accelerator Pedal Adjustment Tool		1	1
2	101813202	Adhesive, Guide Ring, 3-Gram Tube			1
3	101641202	Arbor		1	
4	101831901	Battery Discharge Machine, 36/48 Volt			1
5	1014305	Battery Terminal Protector Spray	1	1	1
6	1011767	Battery Thermometer	1	1	1
7	1016417	Bearing and Oil Seal Remover Assembly	1	1	1
8	1016416	Bearing Driver Set	1	1	1
9	1012811	Bearing Puller	1	1	1
10	1012812	Bearing Puller Wedge Attachment	1	1	1
11	1013582	Brake Adjustment Tool (used only on vehicles with manually adjusted mechanical brakes)		1	1
12	102555501	Brake Cable Release Tool	1	1	1
13	102249901	Brake Pedal Adjustment Tool Kit (used for the Carryall Electric Industrial Truck only) (includes items 14 and 15).....			1
14	****	Brake Pedal Adjustment Tool			1
15	****	Brake Pedal Tension Tool			1
16	101887101	Calibration Test Module			1
17	101808401	Cam Installation Tool		1	
18	102562401	Charger Bezel Tool			1
19	102686101	Clutch Removal Tool (for 4x4 vehicles).....	1	1	
		Please refer to the maintenance and service manual for proper tool application.			
	****	Special order item available upon request			

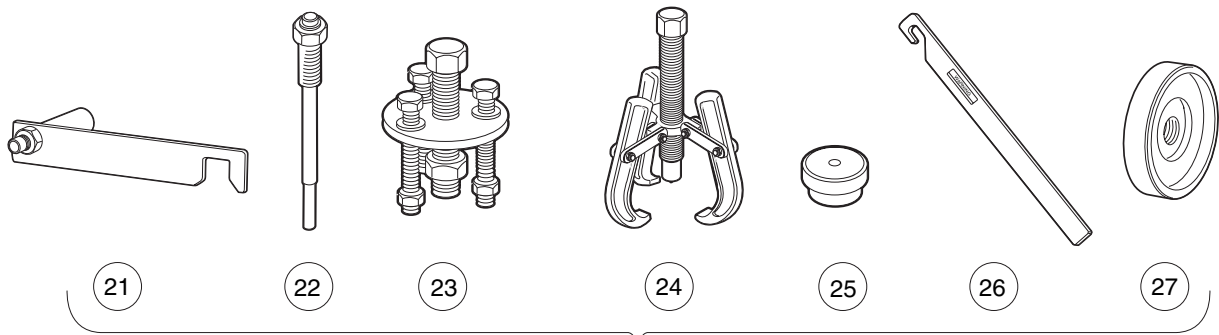
17

G

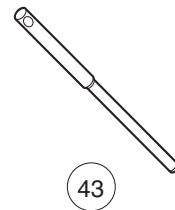
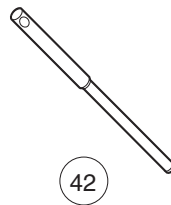
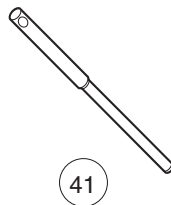
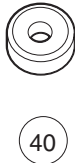
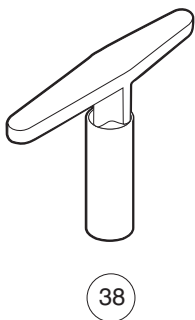
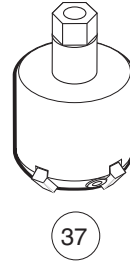
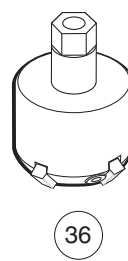
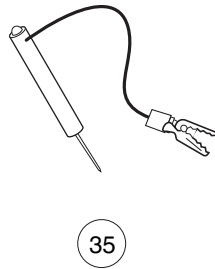
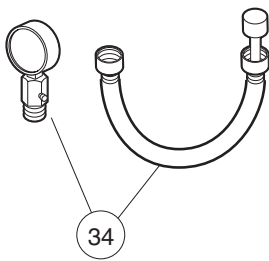
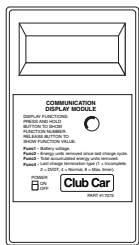
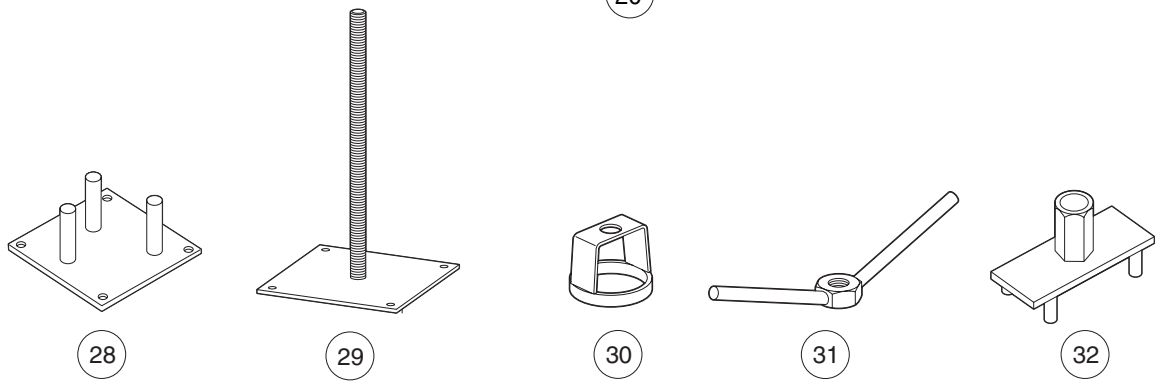
E

D

17
G
E
D



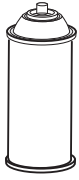
20



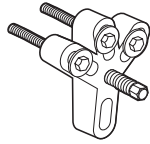
MAINTENANCE AND SERVICE TOOLS, CONTINUED

ITEM	PART NO.	DESCRIPTION	QTY	QTY	QTY	17
			DIESEL	GAS	ELEC	
		1 2 3 4				
20	1014510	Clutch Tool Kit (includes items 21 - 27)		1		G E D
21	1014498	Clutch Alignment Tool (for pre-unitized transaxle vehicles built prior to 1997 model year)		1		
22	1014496	Drive Clutch Puller (for Kawasaki engines only)		1		
23	1014497	Drive Clutch Hub Puller (for Kawasaki engines only)		1		
24	1014508	Driven Clutch Cam Puller (for Kawasaki engines only)		1		
25	1014507	Driven Clutch Puller Plug (for Kawasaki engines only)		1		
26	1015524	Drive Clutch Holder Tool Assembly (for Kawasaki engines only)		1		
27	101809101	Press Weldment (for Kawasaki engines only)		1		
28	102601501	Drive ClutchFixed Sheave Tool (for 4x4 vehicles).....	1	1		
29	102603501	Driven Clutch Spring Compression Base (for use with items 30 and 31) (for 4x4 vehicles)	1	1		
30	102605201	Driven Clutch Spring Compression Collar (for use with items 29 and 31) (for 4x4 vehicles)	1	1		
31	102606101	Driven Clutch Spring Compression Nut (for use with items 29 and 30) (for 4x4 vehicles)	1	1		
32	102607501	Drive Clutch Spider Removal Tool (for 4x4 vehicles).....	1	1		
33	101831801	Communication Display Module			1	
34	101641002	Compression Gauge and Adapter		1		
35	1011273	Continuity Tester		1	1	
36	102773801	Cutter, Valve Seat, #122		1		
37	102773901	Cutter, Valve Seat #115.....		1		
38	102774101	Wrench, T, #505		1		
39	102774101	Adapter, T-Wrench		1		
40	102675401	Cutter, Valve Seat, 60 Degree (requires item 51) (for Honda GX620 Gasoline Engines)		1		
41	102774201	Pilot, 6.6 MM		1		
42	102774301	Pilot, 6.62 MM		1		
43	102774401	Pilot, 6.65 MM		1		
		Please refer to the maintenance and service manual for proper tool application.				

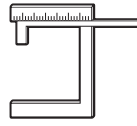
17
G
E
D



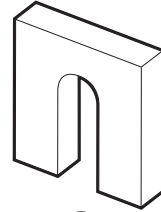
44



45



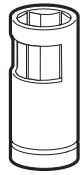
46



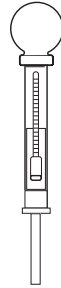
47



48



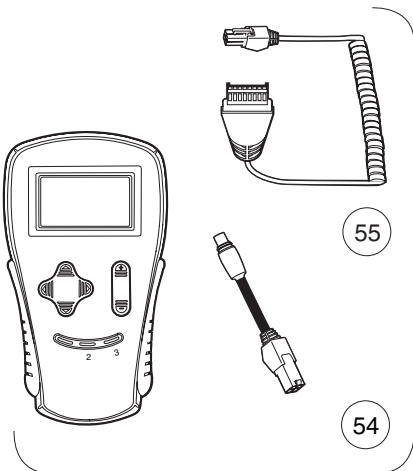
49



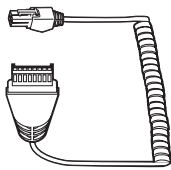
50



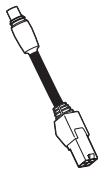
51



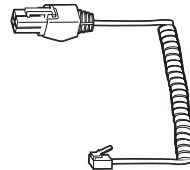
52 53



55



54



56



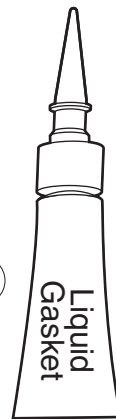
58



59 60



61



57

MAINTENANCE AND SERVICE TOOLS, CONTINUED

ITEM	PART NO.	DESCRIPTION	QTY DIESEL	QTY GAS	QTY ELEC
		1 2 3 4			
44	1012151	Dry Moly Lubricant	1	1	1
45	1016627	Flywheel Puller Kit (for Kawasaki Engines)		1	
46	102669901	Gauge, Carburetor Float Level (for Honda GX620 Gasoline Engines)		1	
47	1016418	Gear Yoke	1	1	1
48	101933101	Governor Shaft Installation Tool (for Kawasaki Engine Vehicles) ...		1	
49	102169401	Hydraulic Brake Adjuster (for Turf/CA 272/472, Pioneer/XRT 1200, Bobcat 2100, HUV 4213)			1
50	1011478	Hydrometer	1	1	1
51	1013593	Internal Retaining Ring Pliers	1	1	1
52	102248803	IQ Display Module (IQDM) Kit (IQ System and IQ Plus vehicles) ... (includes items 54 and 55)			1
53	102248804	IQ Display Module (IQDM-P) Kit (IQ System and IQ Plus vehicles) (includes items 54 and 55)			1
54	102251501	Adaptor, Cable			1
55	102241502	IQDM Series 2 Cable			1
56	102241501	IQDM Series 1 Cable (replacement)			1
57	101928701	Liquid Gasket (transaxle case)	1	1	1
58	102243402	Moly-Teflon Lubricant (4-oz. (113-gram) tube)			1
59	101997201	Paint, Touch-Up – Beige*		1	1
59	101997207	Paint, Touch-Up – Black*		1	1
59	101997212	Paint, Touch-Up – Burgundy*		1	1
59	101997211	Paint, Touch-Up – Classic Blue (Navy)*		1	1
59	101997205	Paint, Touch-Up – Dark Gray*	1	1	1
59	101997209	Paint, Touch-Up – Dark Green*	1	1	1
59	101997204	Paint, Touch-Up – Gray*	1	1	1
59	101997203	Paint, Touch-Up – Red*	1	1	1
59	101997206	Paint, Touch-Up – Royal Blue (Pacific Blue)*		1	1
59	101997202	Paint, Touch-Up – White*	1	1	1
60	102562301	Paint, Precedent Underbody – Gray		1	1
61	102587201	Paint Pen, Touch-Up, Precedent Underbody – Black		1	1
<p>Please refer to the maintenance and service manual for proper tool application.</p> <p>* Item 59 is not for use on Surlyn® body material, which is used on Precedent vehicles.</p>					

17

G

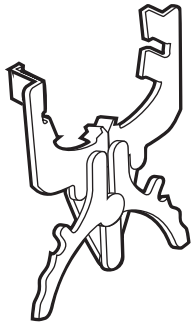
E

D

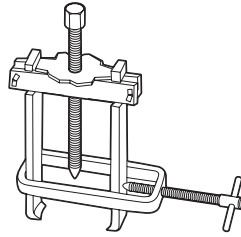
17
G
E
D



62



63



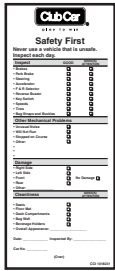
64



65



66



67



68



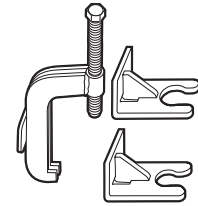
69



70



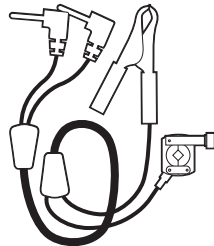
71



72



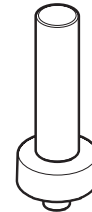
73



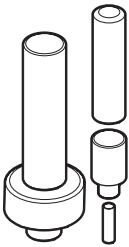
74



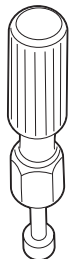
75



76



77



83



84



85



86

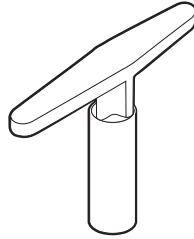
MAINTENANCE AND SERVICE TOOLS, CONTINUED

ITEM	PART NO.	DESCRIPTION	QTY	QTY	QTY	17
			DIESEL	GAS	ELEC	
		1 2 3 4				
62	1016414	Piston Ring Compressor Kit (FE290, FE350 and FE400 engines) .		1		G
63	1016415	Piston Ring Pliers (for Kawasaki Engines)		1		E
64	102668801	Puller, Special Use (for Kubota D722 Diesel Engines)	1			D
65	1012549	Retaining Ring Pliers, 45° External	1	1	1	
66	1012560	Retaining Ring Pliers, 90° Internal	1	1	1	
67	101823101	Safety First Card (50 per pack)	1	1	1	
68	1012809	Seal Puller	1	1	1	
69	102330901	Spanner Wrench (for coil over shock front suspension vehicles only)	1	1		
70	1014264	Steering Column Bearing Press Tool		1	1	
71	1014259	Steering Column Retaining Ring Tool		1	1	
72	102061201	Steering Wheel Puller Tool	1	1	1	
73	AM10753	Tachometer (includes gasoline engine pick up lead only)	1	1		
74	AM10771	Tachometer Diesel Probe (for use with item 73)	1			
75	1014162	Transaxle Axle Seal Tool		1		
76	1014161	Transaxle Pinion Seal Tool		1		
77	1014115	Transmission Tool Kit		1		
78	101611003	Tune-Up Kit, All OHV (for FE290, FE350, FE400 only) (includes air filter, spark plug, oil filter, fuel filters) (not shown)			1	
79	AM11804	Tune-Up Kit, Gx620 (for Honda Engines) (includes air filter, spark plug, oil filter, fuel filters) (not shown)			1	
80	AM11805	Tune-Up Kit, D722 (for Kubota Engines) (includes air filter, oil filter, fuel filters, water separator filter) (not shown)	1			
81	AM1220301	Tune-Up Kit, Precedent (for FE290/350 Engines) (includes air filter, spark plug, oil filter, fuel filters) (not shown)			1	
82	AM1232401	Tune-Up Kit, FH680D (for Kawasaki V-Twin Engines) (includes oil filter, fuel filter, air filter, and spark plugs) (not shown)			1	
83	1016413	Valve Clearance Adjuster Screw Holder (for FE290 engines only) .		1		
84	102674601	Valve Guide Driver (for Honda GX620 Gasoline Engines)		1		
85	101641201	Valve Guide Reamer (FE290, FE350, and FE400 only)		1		
86	102674401	Valve Guide Reamer, 6.6 mm (for Honda GX620 Gasoline Engines)			1	

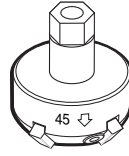
17
G
E
D



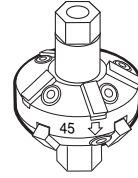
87



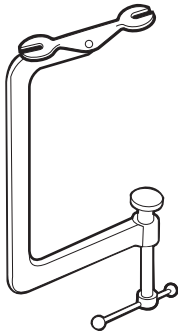
88



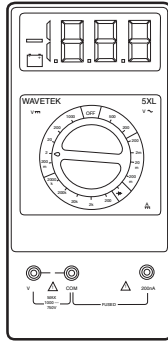
89



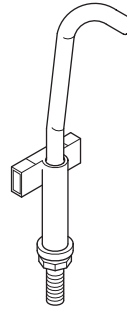
90



91



92



93

MAINTENANCE AND SERVICE TOOLS, CONTINUED

ITEM	PART NO.	DESCRIPTION	QTY DIESEL	QTY GAS	QTY ELEC
		1 2 3 4			
87	1016552	Valve Seat Cutter Guide		1	
88	1016551	Valve Seat Cutter T-Wrench		1	
89	1016553	Valve Seat Cutter, 45° (32 mm diameter) (for FE290 engines only)		1	
90	1016554	Valve Seat Cutter, 45°/30° (35 mm diameter)		1	
91	101641101	Valve Spring Compressor		1	
92	1011480	Volt Ohm Meter	1	1	1
93	102570401	Tool, Tensioning, Starter Generator (For Precedent vehicles)		1	

17

G

E

D

INDEX

Part Number and Page

AM10753	17-9	1012030	5-15	1013773	12-9
AM10771	17-9	1012098	16-3, 16-5, 16-7, 16-9, 16-11	1013774	12-9
AM10079	6-3, 13-3	1012101	16-7, 16-9, 16-11	1013787	12-9
AM10080	12-5, 12-7	1012151	17-7	1013792	12-9
AM10081	12-5, 12-7	1012180	5-17, 5-19	1013794	12-9, 15-3, 15-5
AM10419	11-7	1012181	5-17, 5-19, 5-21	1013924	4-3, 7-15, 8-15
AM10724	7-5, 8-5	1012182	5-17, 5-19, 5-21	1014007	12-3
AM1229401	5-3	1012285	9-13	1014049	11-3
CCX8506	16-3, 16-5, 16-7	1012295	6-5	1014050	11-3
183	11-3, 12-3	1012328	6-5	1014051	11-3
332	10-3, 10-5	1012431	12-11	1014052	11-3
334	7-15, 8-15	1012505	6-3, 13-3	1014055	11-3
451	10-3, 10-5, 14-3, 14-5, 14-7	1012528	10-3, 10-5, 13-15	1014056	11-3
705	7-15, 8-15	1012549	17-9	1014057	11-3
706	5-15	1012560	17-9	1014058	11-3
808	11-3, 13-13	1012565	5-3, 5-5	1014059	11-3
1241	6-17, 6-19, 10-5, 14-3, 14-5	1012566	5-3, 5-5	1014062	11-3
1242	4-7, 4-9, 6-5, 6-17, 6-19	1012571	1-19, 7-15, 8-15	1014063	11-3
1624	6-17, 6-19	1012594	12-11	1014065	11-3, 12-11
7174	6-17, 6-19, 9-13, 10-3, 10-5, 14-3, 14-5, 14-7	1012649	9-3	1014070	11-7
7310	2-3, 2-5	1012711	12-3	1014072	11-7
7330	12-9, 15-3, 15-5	1012714	12-5, 12-7	1014078	11-7
7335	12-5, 12-7, 15-3, 15-5	1012740	12-5, 12-7	1014080	11-7
7336	15-3, 15-5	1012741	12-5, 12-7	1014089	12-11
7577	16-5, 16-7, 16-9, 16-11	1012747	12-5, 12-7	1014115	17-9
7847	10-5	1012748	12-5, 12-7	1014145	12-11
7874	10-3	1012752	12-3	1014153	4-3
7893	6-5	1012809	17-9	1014161	17-9
8057	12-11	1012811	17-3	1014162	17-9
8058	12-11	1012812	17-3	1014201	14-3, 14-5, 14-7
8233	12-3	1012830	6-17, 6-19, 9-13, 10-3, 10-5	1014207	12-9
8450	11-3	1012836	11-7	1014259	17-9
8717	12-3, 12-11	1012896	12-3	1014264	17-9
8745	5-15	1012987	12-11	1014287	11-3
8754	6-17, 6-19, 13-13	1013001	6-15	1014288	11-3
1010145	5-17, 5-19, 5-21	1013003	6-15	1014289	6-15
1010434	1-7, 1-9, 1-17, 1-21, 1-31, 1-33, 1-35, 1-37, 1-39, 4-7, 4-9	1013005	6-15	1014304	13-13
1010577	7-15, 8-15	101301102	6-15	1014305	17-3
1010829	4-5	1013061	12-3	1014375	6-5
1010850	4-3	1013357	13-13	1014413	1-11, 9-15
1010934	14-3, 14-5, 14-7	1013582	17-3	1014453	11-3
1010954	12-11	1013589	12-11	1014454	11-7
1010984	2-3	1013590	12-11	1014496	17-5
1011273	17-5	1013591	12-11	1014497	17-5
1011280	14-3, 14-5	1013593	17-7	1014498	17-5
1011291	12-9	1013609	6-5	1014507	17-5
1011411	14-3, 14-5	1013687	9-3	1014508	17-5
1011415	5-17, 5-19, 5-21	1013700	9-13	1014510	17-5
1011466	4-3	1013734	10-3, 10-5, 13-15	1014523	9-3
1011478	17-7	1013746	9-3, 9-9, 9-11	1014524	9-3
1011480	17-11	1013760	12-3	1014555	5-17, 5-19, 5-21
1011697	5-3, 8-15, 9-9, 9-11, 9-13	1013768	12-9	1014727	12-11
1011767	17-3	1013769	12-9	1014807	12-11
		1013770	12-9	1014902	1-35, 1-37, 1-39, 5-21
		1013771	12-9	1015064	12-11
		1013772	12-9	1015075	10-3

INDEX

1015137	9-3, 9-9, 9-11	1016445	7-5, 8-5	1016521	7-11, 8-11
1015139	9-3	1016446	7-9, 7-11	1016523	7-9
1015143	9-3	1016447	7-9	1016524	7-3
101524001	6-17	1016448	7-9	1016525	7-3
101524002	6-19	1016449	7-9, 8-9	1016526	7-3
1015330	7-9, 10-3	1016450	7-9, 8-9	1016531	7-3, 8-3
1015332	7-3, 8-3	1016452	7-9, 8-9	1016532	7-13
1015524	17-5	1016453	7-11	1016533	7-13
1015649	7-3, 8-3	1016454	7-11, 8-11	1016535	7-11, 8-11
1015814	10-3, 10-5	1016455	7-5, 8-5	1016536	7-3
101584502	9-13	1016456	7-3, 7-5, 7-11, 8-3, 8-5	1016537	7-7, 8-7
1015914	16-3, 16-7, 16-9, 16-11	1016457	7-7, 8-7	1016538	7-11, 8-11
1015917	16-7, 16-9	1016458	7-9, 7-11, 8-9	1016539	7-3, 8-3
1015932	6-17, 6-19	101645901	7-13	1016541	7-13, 8-13
1015969	7-3, 8-3	101645902	7-13	1016542	7-9
1016074	6-17, 6-19	101645903	7-13	1016544	7-5, 7-9, 7-11, 8-5, 8-9, 8-11
1016103	9-9, 9-11	1016460	7-13	1016545	7-9
101611003	17-9	101646101	7-13	1016546	9-13
1016154	5-3, 5-5	101646102	7-13	1016547	7-3, 7-13, 8-3, 8-13, 9-9, 9-11
101615602	5-5	101646103	7-13	1016548	7-5
1016201	11-3	1016467	7-7, 8-7	1016549	7-9, 8-9
1016203	11-5	1016469	7-13	101655001	7-13
1016214	5-3, 5-5	1016470	7-13, 8-13	101655002	7-13
1016219	5-5	1016471	7-9	101655003	7-13
1016289	11-3	1016472	7-11, 8-11	101655004	7-13
1016337	12-5, 12-7	1016473	7-7, 8-7	101655005	7-13
1016338	12-5, 12-7	1016474	7-9, 8-9	101655006	7-13
101641002	17-5	101647501	7-13	101655007	7-13
101641101	17-11	101647502	7-13	101655008	7-13
101641201	17-9	1016479	7-9, 8-9	101655009	7-13
101641202	17-3	1016480	9-9, 9-11	1016551	17-11
1016413	17-9	101648102	9-9, 9-11	1016552	17-11
1016414	17-9	101648203	7-7, 8-7	1016553	17-11
1016415	17-9	1016483	7-9, 8-9	1016554	17-11
1016416	17-3	1016484	7-7	1016558	7-13
1016417	17-3	1016486	9-5, 9-7	1016559	7-13
1016418	17-7	1016489	7-9, 8-9	1016560	7-9, 8-9
101642572	9-5	101649002	9-9, 9-11	1016561	7-5, 8-5
101642575	9-5, 9-7	1016493	7-5	1016562	7-5, 7-13, 8-5, 8-13
101642578	9-5, 9-7	1016494	7-11, 8-11	1016563	7-9, 8-9
101642580	9-5, 9-7	1016496	7-11, 8-11	1016564	7-11, 8-11
101642582	9-5, 9-7	1016497	7-5, 8-5	1016565	7-11
101642585	9-7	1016499	9-5, 9-7	1016566	7-9, 8-9
1016429	7-7, 8-7	1016501	9-5, 9-7	1016567	7-11
1016430	7-9	1016502	7-7, 8-7	1016568	7-13
1016431	7-9	1016505	7-5	1016569	7-9, 8-9
1016432	7-7, 8-7, 12-3	1016506	7-11, 8-11	1016570	7-7, 8-7
1016435	7-7	1016507	7-3, 8-3	1016571	7-13, 8-13
1016436	7-9, 8-9	1016509	7-13	1016572	9-9, 9-11
1016437	9-5, 9-7	1016510	7-11, 8-11	1016576	7-7, 8-7
1016438	9-9, 9-11	1016513	12-3	1016578	7-5, 8-5
1016439	9-9	1016516	7-13	1016579	7-5, 8-5
1016440	7-9, 8-9, 9-9, 9-11	1016517	7-9, 8-9	1016580	7-13
1016441	9-9, 9-11	1016518	8-9	1016581	7-7, 8-7
1016443	7-3	1016519	7-9, 8-9	1016582	9-9, 9-11
1016444	9-9, 9-11	1016520	7-11	1016583	7-9, 8-9

INDEX

1016584	7-11, 8-11	1017502	8-13	101827101	7-15, 8-15
1016585	9-5, 9-7	1017503	8-13	101828301	16-7
1016586	7-5, 8-5	1017504	8-11	101828601	16-5, 16-7
1016587	7-5, 8-5	1017507	7-7, 8-7	101828801	16-5, 16-7
1016588	7-5, 8-5	1017508	8-11	101828802	16-5, 16-7
1016627	17-7	1017510	8-13	101828901	16-7, 16-9, 16-11
1016630	6-3	1017512	8-13	101828902	16-7, 16-9, 16-11
1016663	5-5	1017513	8-11	101828903	16-7
1016672	12-9	1017514	8-11	101828904	16-5
1016801	11-3	101751801	8-11	101828905	16-5
1016849	6-3, 13-3	101751802	8-11	101828906	16-5
1016851	6-3, 13-3	101751803	8-11	101830701	6-3, 13-3
1016883	6-17, 6-19	1017686	11-7	101831101	16-7
1016904	8-9, 10-5	1017689	10-3, 10-5	101831401	13-13
101705701	1-35, 1-37, 1-39, 3-7	101769302	2-3	101831503	16-9
1017082	12-3	101773301	8-13	101831504	16-9
1017221	7-3	101773302	8-13	101831701	16-9
1017231	12-3	101773303	8-13	101831801	17-5
1017235	1-35, 1-37, 1-39, 5-21	101773304	8-13	101831901	17-3
1017434	8-9	101773305	8-13	101832101	7-15
1017435	8-9	101773306	8-13	101832202	9-13
1017442	8-7	101773307	8-13	101832302	9-13
1017443	8-9, 8-11	101773308	8-13	101832601	8-15
1017444	8-9	101773309	8-13	101832701	7-15, 8-15
1017445	8-9	101773310	8-13	101833101	8-15
1017446	8-9	101773311	8-13	101833201	7-15
1017447	8-11	101791101	4-3	101833401	11-7
1017448	7-5, 8-5	1017944	14-3, 14-5	101833601	12-3
101744901	8-13	1017947	14-3, 14-5	101833701	6-15
101744902	8-13	1017948	14-3	101833902	11-3
1017450	8-13	1017949	14-3, 14-5	101834001	11-7
101745101	8-13	1017950	14-3, 14-5	101834502	6-3, 13-3
101745102	8-13	1017953	14-3, 14-5	101834601	7-15, 8-15
1017453	8-13	101802201	16-7	101834801	12-3
1017454	8-9	101802202	16-7	101836201	11-7
1017455	7-5, 8-5	101802203	16-7	101837301	6-17, 6-19
1017456	7-7, 8-7	101808401	17-3	101838201	16-9
101745701	8-13	101809101	17-5	101838301	16-9
101745702	8-13	101811401	1-11, 9-15	101838401	16-9, 16-11
1017458	8-7	101813202	17-3	101838501	16-9
1017460	8-7	101815501	4-3	101838601	16-9, 16-11
1017461	9-5, 9-7	101815502	4-3	101851101	6-3, 13-3
1017463	8-5	101816301	4-3	101856001	13-9
1017466	9-9, 9-11	101816501	4-3	101856201	1-11, 9-15
1017468	7-5, 8-5	101816502	4-3	101869302	6-15
1017471	8-13	101820201	9-9, 9-11	101871001	17-3
1017472	8-11	101823101	17-9	101874901	6-15
1017473	8-9	101823201	4-3	101875001	6-15
1017474	8-3	101823301	4-3	101875102	6-15
1017475	8-3	101823302	4-3	101875201	6-15
1017476	8-3	101823801	4-3	101875301	6-15
1017486	8-3	101823901	4-3	101875401	6-15
1017487	8-11	101824001	4-3	101875501	6-15
1017490	8-5	101824002	4-3	101875601	6-15
1017500	8-3	101824401	9-3	101875701	6-15
1017501	8-13	101825101	3-3, 3-5	101875802	6-15

INDEX

101876001	6-15	101908401	13-9	101972004	17-7
101876202	6-15	101908701	13-15	101972005	17-7
101876301	6-15	101909201	7-5, 8-5	101972006	17-7
101876402	6-15	101909301	7-5, 8-5	101972007	17-7
101876501	6-15	101909401	7-5, 8-5	101972009	17-7
101877601	6-15	101909701	7-3	101972011	17-7
101877701	6-15	101910501	12-9	101972012	17-7
101878101	6-15	101914401	16-7, 16-9	101972101	15-3, 15-5
101879001	6-15	101915401	7-11	101972201	15-3, 15-5
101881101	7-5, 8-5	101915501	7-13	101973101	9-5, 9-7
101884801	7-15, 8-15	101915601	7-3	101973201	9-5
101886101	12-3	101915801	7-5	101973301	9-7
101887101	17-3	101916001	8-13	101973401	9-11
101887601	7-3, 8-3, 9-9, 9-11	101916101	8-3	101973501	16-11
101889401	12-5, 12-7	101916201	8-5	101976601	16-11
101889901	12-5	101916301	8-5	101979101	12-11
101890001	12-5, 12-7	101916701	6-17, 6-19, 11-3	101980801	12-5, 12-7
101890101	12-3	101920101	14-3, 14-5, 14-7	101980901	12-5, 12-7
101890201	12-3	101922101	15-3, 15-5	101981001	12-5, 12-7
101890501	12-3	101922201	15-3, 15-5	101987501	16-11
101890601	12-3	101922301	7-13	101990802	4-7, 4-9
101890901	12-9	101923001	15-3, 15-5	102003201	9-3
101891001	12-9	101923201	15-3, 15-5	102022601	5-11
101891301	12-3	101923501	15-3, 15-5	102031901	12-9
101891401	12-9	101923701	15-3, 15-5	102061201	17-9
101891501	12-9	101923901	15-3, 15-5	102065901	7-15, 8-15
101891601	12-5, 12-7	101926901	12-3	102169401	17-7
101891901	12-5, 12-7	101927101	12-3	102186001	14-7
101892001	12-5, 12-7	101927201	12-3	102186101	14-7
101892201	12-5, 12-7	101927301	12-3	102186201	14-7
101892301	12-5, 12-7	101927501	12-5, 12-7	102186301	14-7
101892401	12-5, 12-7	101927601	12-5, 12-7	102186401	14-7
101892501	12-5, 12-7	101927701	12-5, 12-7	102186701	14-7
101892601	12-5, 12-7	101927901	12-5, 12-7	102186801	14-7
101892701	12-9	101928001	12-5, 12-7	102186901	14-7
101892901	12-3	101928101	12-5, 12-7	102187001	14-7
101893201	12-5, 12-7	101928301	12-9	102187101	14-7
101893801	12-3	101928601	12-3	102187201	14-7
101893901	12-5, 12-7	101928701	12-3, 15-3, 15-5, 17-7	102196901	13-3
101895401	15-3, 15-5	101929301	7-5	102223401	13-3
101895501	15-3, 15-5	101929802	11-3	102235201	14-3, 14-5, 14-7
101895601	15-3	101933101	17-7	102240104	14-5
101895701	15-3	101939901	6-15	102240501	13-15
101895801	15-3	101942301	14-3, 14-5, 14-7	102241501	17-7
101895901	15-3	101953802	8-3	102241502	17-7
101896501	6-15	101953901	7-3	102242101	11-7
101897001	15-3, 15-5	101956201	16-11	102243402	17-7
101897201	15-3, 15-5	101956202	16-11	102243403	14-3, 14-5, 14-7
101897401	15-3, 15-5	101956503	13-15	102248803	17-7
101897601	15-3, 15-5	101958201	16-11	102249901	17-3
101898001	6-5	101958301	16-11	102251501	17-7
101903601	15-3, 15-5	101960501	3-3	102251901	14-3
101903701	15-3, 15-5	101963401	7-15, 8-15	102265501	14-3
101905601	9-5	101972001	17-7	102265601	14-3, 14-5
101905901	9-7	101972002	17-7	102265701	14-3, 14-5
101906901	15-3, 15-5	101972003	17-7	102265901	14-3, 14-5

I N D E X

102266001	14-3, 14-5	102298116	5-7, 5-9	102502311	1-19
102266101	14-3, 14-5	102298130	5-7, 5-9	102502313	1-19
102267001	14-3, 14-5	102298170	5-17, 5-19, 5-21	102502401	1-5
102273201	16-5	102298185	5-17, 5-19, 5-21	102502402	1-5
102273301	16-5	102298240	1-17, 1-19, 1-31	102502404	1-5
102273401	16-5	102298401	1-3, 1-27, 1-29, 5-17, 5-19, 5-21	102502405	1-5
102273501	16-5	102298580	1-19	102502406	1-5
102273601	16-5	102298601	1-19	102502407	1-5
102273701	16-3, 16-5	102298716	1-9, 1-19	102502408	1-5
102273801	16-3, 16-5	102298720	1-31, 1-33, 1-35, 1-37, 1-39	102502409	1-5
102273901	16-3, 16-5	102298745	1-33, 1-35, 1-37, 1-39	102502411	1-5
102274001	16-5	102298770	13-13	102502413	1-5
102279001	1-19	102299065	1-23, 1-27, 1-29	102502501	1-5
102279103	1-19	102299360	1-27, 1-29	102502601	1-5
102279104	1-19	102299601	1-27, 1-29	102502901	1-19
102287101	5-13	102302504	1-9	102503001	1-19
102287201	5-15	102302604	1-9	102503221	1-17, 1-31, 1-35
102287301	5-13	102304701	7-9	102503222	1-17, 1-31, 1-37
102287601	5-13	102304801	8-9	102503224	1-17, 1-31, 1-39
102287701	5-13	102327801	14-3	102503225	1-17, 1-31
102287901	5-15	102330901	17-9	102503901	1-17
102288101	5-13, 5-15	102336001	9-13	102504001	1-17
102288201	5-15	102353201	5-15	102504201	1-17
102288401	5-15	102353301	5-15	102504301	1-17
102288601	5-11	102353401	5-15	102504501	1-17
102288901	5-13	102355301	6-5	102504802	1-9
102289001	5-11	102356601	15-3, 15-5	102505701	5-13
102289101	5-15	102356801	15-3, 15-5	102506201	5-17, 5-19, 5-21
102289201	5-11, 5-15	102357001	15-3, 15-5	102506301	5-17, 5-19, 5-21
102289301	5-11, 5-15	102357701	5-15	102506401	5-17, 5-19, 5-21
102289401	5-13	102380401	1-7	102506601	5-17, 5-19, 5-21
102289501	5-13, 5-15	102400002	1-27, 1-29	102507101	5-9
102289601	5-13	102400102	1-27, 1-29	102508201	1-13
102289701	5-13	102400202	1-23	102508202	1-13
102289801	5-15	102400302	1-23	102508401	13-9
102289901	5-13	102430901	8-13	102508601	13-3
102290120	5-7, 5-9	102431001	8-11	102508701	13-3
102292201	4-7, 4-9	102453001	12-7	102508901	1-29
102292356	1-7, 1-9	102453101	12-7	102508902	1-27
102292701	1-9, 1-19	102500001	4-13	102509301	5-19
102292801	4-5	102500101	4-11	102509701	13-13
102293512	13-13	102500501	1-19	102509801	13-13
102296020	1-5, 5-3, 6-5, 9-3, 9-15	102500601	1-19	102510001	13-3
102296040	6-5, 12-11	102500801	4-7, 4-9	102510101	13-7
102296140	1-27, 1-29	102501401	1-19	102510201	13-13
102296401	1-27, 1-29	102501402	1-19	102510601	13-13
102296530	1-17, 1-31, 1-35, 1-37, 1-39	102501501	1-5	102510802	13-15
102296601	1-9, 1-19	102502301	1-19	102510901	13-9
102296716	13-9, 13-15	102502302	1-19	102511101	13-9
102296819	1-7	102502304	1-19	102511301	13-13
102296920	1-9, 12-11, 13-9	102502305	1-19	102511302	13-13
102297125	1-17, 9-15	102502306	1-19	102511601	1-29
102297230	1-19	102502307	1-19	102511602	1-27
102297901	4-7, 4-9	102502308	1-19	102511701	1-11
102298020	1-9	102502309	1-19	102511702	1-11
102298030	1-11, 1-13, 1-19, 1-31, 4-7, 4-9			102511801	1-11

INDEX

102511802	1-11	102534001	13-13	102562701	1-15
102512001	12-11	102534201	1-3, 1-33, 1-35, 1-37, 1-39	102562801	1-15
102512401	1-27, 1-29	102534403	1-5	102562901	1-15
102513001	5-17	102534404	1-5	102563001	4-11, 4-13
102513102	4-7, 9-13	102534801	1-35, 1-37, 1-39, 5-21	102563101	4-11, 4-13
102513301	1-27, 1-29	102536601	6-3, 13-3	102564901	5-11
102513501	1-27, 1-29	102536602	6-3	102565101	5-11
102513701	9-3	102536603	13-3	102565201	5-11
102514201	9-3	102536604	6-3	102565301	5-11
102514401	1-11, 9-15	102536605	13-3	102565401	5-11
102514601	12-11	102538101	3-3, 5-3	102565701	5-11
102515001	6-3, 6-13	102538201	3-5, 5-3	102565801	5-11
102515101	6-3	102538601	13-9	102565901	5-11
102515301	12-11	102540301	7-15, 8-15	102566001	5-11
102515401	12-3	102540601	2-5	102566101	5-11
102515501	12-11	102540701	2-5	102568701	1-17
102515601	12-11	102540801	5-3	102569304	2-3
102516001	12-13	102540901	3-3, 3-5	102569309	2-3, 2-5
102516901	1-13	102541425	1-31, 1-35, 1-37, 1-39	102570401	17-11
102517001	1-17	102543901	1-23	102570901	1-35
102517801	3-3	102543902	1-23	102570902	1-37
102517901	3-3	102544201	1-23, 1-27, 1-29	102570904	1-39
102518001	3-5	102544901	1-35, 1-37, 1-39, 5-21	102571301	5-3
102518101	3-5	102545601	1-19	102572201	1-31, 1-35, 1-37, 1-39
102518301	3-5	102545602	1-19	102572401	13-3
102519201	3-3	102550301	13-7	102572601	1-27, 1-29
102519301	3-3, 3-5	102551701	1-17	102573101	1-31, 1-35, 1-37, 1-39
102519401	3-5	102551901	4-7, 4-9	102574801	1-31, 1-35, 1-37, 1-39
102520001	13-9	102552001	4-7, 4-9	102574901	1-31, 1-35, 1-37, 1-39
102520701	1-29	102553901	1-21	102575101	1-31, 1-35, 1-37, 1-39
102520702	1-27	102554601	1-15	102575201	1-31, 1-35, 1-37, 1-39
102521301	9-15	102554901	12-11	102576801	13-9
102521401	9-15	102555501	17-3	102577001	13-13
102521901	1-9	102555901	3-5	102577002	13-13
102522301	10-3	102556701	2-5	102577401	1-35, 1-37, 1-39
102522604	2-3	102556801	2-5	102584701	1-33, 1-35, 1-37, 1-39
102522605	2-3	102557201	1-7	102584801	1-33, 1-35, 1-37, 1-39
102522608	2-3, 2-5	102557501	4-5	102585801	13-7
102522609	2-3, 2-5	102557502	4-5	102585901	10-5
102522701	13-15	102557801	2-3, 2-5	102586201	6-9
102522901	6-3, 13-3	102558201	9-15	102587401	4-11, 4-13
102523101	1-7	102558301	9-15	102587501	4-11, 4-13
102523901	1-9	102558401	9-15	102588301	9-15
102524201	1-29	102558501	9-15	102588501	5-17, 5-19, 5-21
102524202	1-27	102558601	9-15	102588601	5-13
102526201	12-3	102558701	9-15	102588701	4-11, 4-13
102526401	13-13	102558801	4-11, 4-13	102588901	4-11, 4-13
102526801	13-13	102558901	4-11, 4-13	102589901	12-15
102527501	3-5	102559001	4-11, 4-13	102590001	13-7
102531001	1-33, 1-35, 1-37, 1-39	102559101	4-11, 4-13	102594301	4-7, 4-9
102531402	1-33, 1-35, 1-37, 1-39	102559301	4-11, 4-13	102601501	17-5
102531501	1-31, 1-35, 1-37, 1-39	102559401	4-11, 4-13	102603501	17-5
102531601	1-33, 1-35, 1-37, 1-39	102559601	4-11, 4-13	102605201	17-5
102531701	1-31, 1-35	102559701	4-11, 4-13	102606101	17-5
102531702	1-31, 1-37	102562101	1-19	102607501	17-5
102531704	1-31, 1-39	102562401	17-3	102668801	17-9

INDEX

102669901 17-7
102674001 17-5
102674101 17-5
102674201 17-5
102674401 17-9
102674601 17-9
102675001 17-5
102675101 17-5
102675201 17-5
102675301 17-5
102675401 17-5
102686101 17-3
102704701 14-7
102704801 14-7
102704901 14-7
102705001 14-7
102751601 9-3
102753401 7-9, 8-9
102771701 15-5
102803301 6-5
102806201 13-15
102865101 9-3
102878101 5-15
102878201 5-13, 5-15
102886301 15-5
102886401 15-5
102886501 15-5
102886601 15-5
102952202 9-3
102956201 5-13, 5-15
102956301 13-11
102956401 13-11
102956501 13-11
102958001 13-11
102967901 1-19
102973801 5-15
102989101 13-11
103196001 1-27, 1-29
103199301 1-27, 1-29
103200301 1-27, 1-29
103205101 1-27, 1-29
103209501 5-7
103210101 1-27, 1-29
103226201 13-11
103226301 13-11
103226401 13-11
103226601 13-11
103226701 13-11
103238501 3-5
103262001 13-15
103325501 14-5
103325601 14-5
103325701 14-5
103327601 1-17
103327701 4-11
103327801 4-11, 4-13

103327901 4-13
103330601 1-3
103337601 14-5
103344301 4-11, 4-13
103345701 11-3
103403201 13-15
103423001 1-15
103423002 1-15
103423004 1-15
103428501 16-3
103428601 16-3
103428701 16-3
103428801 16-3
103429001 16-3
103429101 16-3
103429201 16-3
103429301 16-3
103429501 16-3
103429601 16-3
103429701 16-3
103434001 16-3
103439901 16-3
103499101 16-3
103499102 16-3
103499103 16-3
96704416 7-15, 8-15

A

absorber, front shock 5-13
absorber, rear shock 5-17, 5-19, 5-21
AC cord 16-5, 16-7, 16-9, 16-11
AC cord bushing 16-3, 16-5
AC cord receptacle 16-11
AC cordset 16-3
accelerator cable 4-7, 9-13
accelerator pedal 4-11, 4-13
accelerator pedal adjustment tool 17-3
accelerator pedal pad 4-11, 4-13
access panel 1-19
adapter
 cable (IQDM) 17-7
adhesive, guide ring 17-3
adjuster
 hydraulic brake 17-7
adjuster, lash 8-11
air filter 9-15
air filter canister evacuation valve 9-15
air intake assembly 9-15
air intake cover 9-15
air intake hose 9-15
ammeter 16-3, 16-5, 16-7, 16-9, 16-11
arbor 17-3
arm
 governor 12-3
 pivot 12-3
 rocker 7-9, 8-9

armature 6-15, 14-3, 14-5, 14-7
armature conversion kit 6-15
armrest 1-15, 1-31, 1-35, 1-37, 1-39
assembly
 armature 6-15
 axle 12-9
 brake lever 4-3
 brush connector 6-15
 brush holder 6-15
 carburetor 9-5, 9-7
 connecting rod 7-13, 8-13
 cylinder head 8-9
 drive hub 11-3
 driven clutch 11-7
 driven clutch fixed-face 11-7
 field coil 6-15
 float 9-5, 9-7
 frame and field (motor) 14-7
 fuel tank vent 9-3
 governor 12-5, 12-7
 idle screw 9-5, 9-7
 moveable-face 11-3, 11-7
 pilot air screw 9-5, 9-7
 plug cap 8-5
 score card plate 5-5
 secondary clutch weight 11-3
axle 12-9, 15-3, 15-5
axle shaft oil seal 12-9, 15-3, 15-5
axle tube 15-3, 15-5

B

backing plate, brake 4-3
backrest 1-17, 1-31, 1-35, 1-37, 1-39
bag hoop 1-17
bag strap 1-17
bag strap buckle 1-17
bag well liner 1-21
bag, desiccant 11-3
ball bearing 8-11
ball joint 5-11
ball stud 12-11
ball, bearing 5-11
ball, shifter 12-5, 12-7
ball, steel pressure relief 7-7, 8-7
band, RPM limiter mount 7-5, 8-5
barb, vent 9-3
barrel, plastic 1-7, 1-9, 1-17, 1-21, 1-31,
 1-33, 1-35, 1-37, 1-39, 4-7, 4-9
battery cable 13-13
battery cap, 6-volt 13-13
battery charger 16-5, 16-7, 16-9, 16-11
battery charger case 16-5, 16-7, 16-9,
 16-11
battery charger handle 16-5
battery charger receptacle 13-13
battery charger transformer 16-5, 16-7,

INDEX

- 16-9, 16-11
 - battery clamp 6-5
 - battery condition indicator 13-3
 - battery discharge machine 17-3
 - battery light 13-3
 - battery terminal protector spray 17-3
 - battery thermometer 17-3
 - battery, 12-volt 6-5
 - battery, 12-volt, Trojan T1275, moist 13-13
 - battery, 12-volt, Trojan T1275, wet 13-13
 - bearing 15-3, 15-5
 - ball 5-11, 8-11
 - ball (motor) 14-7
 - idler 11-3
 - inner axle tube 12-9, 15-3, 15-5
 - needle 12-5, 12-7
 - outer axle tube 12-9
 - bearing and oil seal remover 17-3
 - bearing driver set 17-3
 - bearing puller 17-3
 - bearing puller wedge 17-3
 - bearing retainer 14-3, 14-5
 - beauty panel, front 1-5
 - beauty panel, rear 1-19
 - bellows, steering 5-11
 - belt, drive 11-5
 - belt, starter/generator 6-17, 6-19, 11-3
 - bezel, FNR 12-11
 - body kick plate 1-11, 1-13
 - body, front 1-5, 1-19
 - body, under 1-19
 - bolt, U- 1-35, 1-37, 1-39, 5-21
 - boot, switch 13-9
 - bottom seat 1-15
 - bracket 7-3
 - accelerator cable 9-13
 - adjustable starter/generator 6-17, 6-19
 - equalizer 4-7, 4-9
 - governor cable 9-13
 - muffler mounting 10-3, 10-5
 - oil filter mount 7-7, 8-7
 - oil level switch 7-11, 8-11
 - relay mounting 16-9
 - RPM limiter 7-5, 8-5
 - shock absorber 5-17, 5-19, 5-21
 - shock mounting 5-17, 5-19, 5-21
 - snubber 7-15, 8-15
 - starter/generator mounting 6-17, 6-19
 - throttle spring return 9-9, 9-11
 - bracket, clamshell 1-9
 - brake adjusting mechanism 4-3
 - brake adjustment tool 17-3
 - brake backing plate 4-3
 - brake cable 4-5
 - brake cable release tool 17-3
 - brake cluster 4-3
 - brake drum 4-3
 - brake lever 4-3
 - brake pedal 4-11, 4-13
 - brake pedal adjustment tool 17-3
 - brake pedal pad 4-11, 4-13
 - brake pedal tension tool 17-3
 - brake return spring 4-11, 4-13
 - brake rod 4-11, 4-13
 - brake self-adjusting mechanism 4-3
 - brake shoe 4-3
 - brake spring 4-3
 - breaker, circuit 16-3, 16-5, 16-7, 16-9, 16-11
 - breather 12-3, 15-3, 15-5
 - brow 1-5
 - brow cap 1-5
 - brush 14-3, 14-5, 14-7
 - brush and screw set 6-15
 - brush box assembly 14-7
 - brush connector 6-15
 - brush holder 6-15
 - brush inspection port cover 6-15
 - brush port cover 6-15
 - brush rigging 14-3, 14-5, 14-7
 - brush spring 14-3, 14-5, 14-7
 - brush spring set 6-15
 - bucket, electric vehicle 13-13
 - buckle, bag strap 1-17
 - bumper 1-3
 - drive unit (motor) 14-3, 14-5, 14-7
 - jounce 1-35, 1-37, 1-39, 5-21
 - jounce, bracket 1-35, 1-37, 1-39, 5-21
 - bushing 5-13, 5-15, 5-17, 5-19, 5-21, 11-3
 - AC cord 16-3, 16-5
 - bushing, insulated 14-3, 14-5
 - button, drive 11-7
 - buzzer, reverse 6-3, 13-3
- ## C
- cable
 - accelerator 4-7, 9-13
 - brake 4-5
 - FNR shifter 12-13, 12-15
 - governor 9-13
 - IQDM 17-7
 - cable support bracket 12-11
 - cable, battery 13-13
 - calibration test module 17-3
 - cam
 - driven clutch 11-7
 - neutral lockout 12-11
 - cam installation tool 17-3
 - camshaft 7-11, 8-11
 - camshaft shim 8-11
 - canopy 1-27, 1-29
 - canopy bracket 1-19
 - canopy component kit 1-29
 - canopy cover 1-23, 1-27, 1-29
 - canopy drain cover 1-27, 1-29
 - canopy handle 1-27, 1-29
 - canopy hardware 1-27, 1-29
 - canopy support 1-27, 1-29
 - cap
 - battery, 6-volt 13-13
 - dust 13-3
 - fuel tank 9-3
 - key switch 6-3, 13-3
 - plug 8-5
 - spark plug 7-5
 - cap, SAM 1-23
 - carburetor 9-5, 9-7
 - carburetor float level tool 17-7
 - carburetor gasket 9-11
 - carburetor insulator 9-9, 9-11, 14-3, 14-5
 - carburetor mounting gasket 9-9, 9-11
 - card, safety first 17-9
 - case
 - battery charger 16-5, 16-7, 16-9, 16-11
 - differential gear 12-9
 - gear 12-3, 15-3, 15-5
 - rocker 7-9, 8-9
 - case, charger 16-3
 - charger bezel tool 17-3
 - charger board relay 16-3
 - charger case 16-3
 - charger hardware 16-3
 - charger legs 16-3
 - charger wires 16-3
 - charger, battery 16-5, 16-7
 - choke bottom rod 1-11, 9-15
 - choke lever 1-11, 9-15
 - circuit breaker 16-3, 16-5, 16-7, 16-9, 16-11
 - clamp
 - battery 6-5
 - cable retaining 9-13
 - hose 9-3, 9-9, 9-11
 - muffler hose 10-3, 10-5
 - clamshell bracket 1-9
 - clip, body trim 1-9, 1-19
 - clip, score card 5-3, 5-5
 - closeout 13-13
 - cluster idler gear 12-5, 12-7
 - cluster, brake 4-3
 - clutch alignment tool 17-5
 - clutch pulley 11-3
 - clutch removal tool 17-3
 - clutch repair kit 11-7
 - clutch tool kit 17-5
 - clutch weight 11-3
 - clutch, drive 11-3
 - clutch, driven 11-7

INDEX

- coil, field 6-15
 - coil, ignition 7-5, 8-5
 - collet 7-9, 8-9
 - column, steering 5-7, 5-9
 - comfort grip steering wheel kit 5-3
 - communication display module 17-5
 - component mounting plate 13-15
 - compression gauge 17-5
 - compression spring 1-11, 9-15
 - compressor, piston ring 17-9
 - compressor, valve spring 17-11
 - computer, v 3.0 onboard 13-15
 - connecting rod 7-13, 8-13
 - connector tube, handrail 1-31, 1-35, 1-37, 1-39
 - connector, 9-pin 6-3, 6-13, 13-3
 - connector, a- 6-15
 - continuity tester 17-5
 - control arm
 - A-arm 5-13
 - controller, motor speed 13-15
 - controller, speed 13-15
 - cord connector 7-11, 8-11
 - cord set, DC 16-5
 - cord, AC 16-5, 16-7, 16-9, 16-11
 - cord, DC 16-7, 16-9, 16-11
 - Cordset
 - PD3, Ac 114" 16-3
 - PD3, Ac 80" 16-3
 - PD3, DC 113" 16-3
 - PD3, DC 154" 16-3
 - PD3, DC 205" 16-3
 - counterbalance guide shaft 7-13, 8-13
 - counterbalance weight 7-13, 8-13
 - coupler, SPWS 13-11
 - cover
 - air intake 9-15
 - brush inspection port 6-15
 - brush port 6-15
 - crankcase 7-11, 8-11
 - dust 4-3
 - electronics module 13-9
 - oil pump 7-7, 8-7
 - cover plate 14-7
 - cover, canopy drain 1-27, 1-29
 - cover, drain 1-25
 - cover, steering column 5-3
 - crankcase 7-13, 8-13
 - crankcase cover 8-11
 - crankcase cover gasket 7-9, 7-11
 - crankcase vent tube 9-9, 9-11
 - crankshaft 7-13, 8-13
 - crankshaft rod 8-13
 - crankshaft seal 7-11
 - crankshaft shim 7-13, 8-13
 - current limiter 16-11
 - cushion, shock absorber 5-17, 5-19, 5-21
 - cutter, valve seat 17-5, 17-11
- ## D
- damper, RPM limiter 7-5, 8-5
 - dash 1-7
 - dash support assembly 5-13
 - dash tray 1-7
 - DC cord 16-7, 16-9, 16-11
 - DC cord set 16-5
 - DC cordset 16-3
 - decal
 - battery weight warning 3-5
 - Club Car clip 3-3, 3-5
 - component mounting plate 3-5
 - electrical cover safety 3-5
 - four-passenger warning 1-35, 1-37, 1-39, 3-7
 - frame ground warning 3-3
 - gas and governor warning 3-3
 - IR/Club Car 1-9
 - on/off 3-3, 3-5
 - operating instructions 3-3, 3-5, 5-3
 - operating instructions (electric) 3-5
 - operating instructions (gas) 3-3
 - private speed mode 3-5
 - rollover warning 3-3, 3-5
 - rotating parts 3-3
 - Tow/Run switch 3-5
 - warning, battery weight 3-5
 - desiccant bag 11-3
 - DF-terminal insulator 6-15
 - diesel tachometer probe 17-9
 - differential 15-3
 - drive unit 15-5
 - differential gear 12-9, 15-3, 15-5
 - differential gear case 12-9
 - differential housing 15-3, 15-5
 - differential idler gear 12-9
 - differential pin 12-9
 - diode 13-9
 - diode, rectifier 16-5
 - diode, tow switch 13-7
 - dipstick 7-3, 8-3
 - drain cover 1-25
 - drain plug 7-7, 8-7
 - drain plug gasket 7-7, 8-7, 12-3
 - drive belt 11-5
 - drive button 11-7
 - drive clutch 11-3
 - drive clutch button 11-3
 - drive clutch fixed sheave tool 17-5
 - drive clutch fixed-face 11-3
 - drive clutch holder tool 17-5
 - drive clutch hub puller 17-5
 - drive clutch puller 17-5
 - drive clutch spider removal tool 17-5
 - drive clutch spring 11-3
 - drive clutch weight 11-3
 - drive hub 11-3
 - drive unit 15-3
 - drive unit bumper 14-3, 14-5, 14-7
 - driven clutch 11-7
 - driven clutch button 11-7
 - driven clutch cam 11-7
 - driven clutch cam puller 17-5
 - driven clutch fixed-face assembly 11-7
 - driven clutch puller plug 17-5
 - driven clutch spring compression base tool 17-5
 - driven clutch spring compression collar tool 17-5
 - driven clutch spring compression nut tool 17-5
 - driver, drive clutch 11-3
 - drum, brake 4-3
 - dry moly lubricant 17-7
 - dust cap 13-3
 - dust cover 4-3
 - dust seal 5-11
- ## E
- eccentric adjustment screw 5-15
 - end bell, commutator 6-15
 - end bell, output shaft 6-15
 - end cap, motor 14-3, 14-5, 14-7
 - end shield
 - motor 14-3, 14-5
 - end, tie rod 5-11
 - engine 7-3
 - engine mounting plate 7-15, 8-15
 - engine shroud 7-3, 8-3
 - engine valve spring 7-9
 - engine, FE350 CW without ACR 8-3
 - equalizer 4-7, 4-9
 - exhaust system 10-3, 10-5
 - exhaust valve 7-9, 8-9
- ## F
- face, moveable 11-3, 11-7
 - fan housing 7-3, 8-3
 - fan shroud 7-3, 8-3
 - fan, flywheel 7-5, 8-5
 - fascia 1-5
 - field coil 6-15
 - field coil housing 6-15
 - fill plug 12-3
 - filter
 - air 9-15
 - fuel 9-3
 - oil 7-7, 8-7
 - filter, air 9-15

INDEX

filter, oil pump 8-7
fixed-face, drive clutch 11-3
fixed-face, driven clutch 11-7
float 9-5, 9-7
floor cover plate 4-7, 4-9
floor mat 1-33, 1-35, 1-37, 1-39
floormat 1-9
floormat retainer 1-9
flywheel 7-5, 8-5
flywheel fan 8-5
flywheel fan plate 7-5, 8-5
flywheel puller 17-7
FNR bezel 12-11
FNR handle 12-11
FNR housing 13-9
FNR shift lever 12-3
FNR shifter 12-11
FNR shifter base 12-11
FNR shifter cable 12-13, 12-15
foam tape 1-19
foot deck 1-33, 1-35, 1-37, 1-39
fork, shift 12-5, 12-7
four-passenger conversion kit 1-35, 1-37
four-passenger kit 1-39
frame and field assembly (motor) 14-7
front body 1-5, 1-19
front body, beauty panel 1-5
front hub 5-15
front suspension structure 5-13
F-terminal hardware 6-15
f-terminal insulator 6-15
fuel filter 9-3
fuel line 9-3, 9-9, 9-11
fuel pickup tube 9-3
fuel pump, impulse 9-3
fuel tank 9-3
fuel tank cap 9-3
fuel tank hold-down 9-3
fuel tank vent 9-3
fuse 16-7, 16-9, 16-11
 10-amp 6-5
 15-amp 13-9
 charger 16-3, 16-5
fuse cover, sealed 6-5

G

gasket 15-3, 15-5
 air intake 9-15
 carburetor 9-11
 carburetor mounting 9-5, 9-7, 9-9, 9-11
 crankcase cover 7-9, 7-11, 8-9, 8-11
 drain plug 7-7, 8-7, 12-3
 exhaust 7-9, 8-9, 10-3, 10-5
 head 7-9, 8-9
 insulator 7-9, 8-9, 9-9, 9-11
 liquid 12-3, 15-3, 15-5, 17-7

oil pump 7-7
 rocker case 7-9, 8-9
gasket kit, FE290 7-9
gasket kit, FE350 8-9
gauge, compression 17-5
GCOR 4-11
gear
 case 12-3, 15-3, 15-5
 cluster idler 12-5, 12-7
 differential 12-9, 15-3, 15-5
 differential idler 12-9, 15-3, 15-5
 differential output 15-3, 15-5
 helical 7-13, 8-13, 12-5, 12-7, 12-9
 spur 7-13, 8-13, 12-5, 12-7
 steering 5-11
 synchro 12-5, 12-7
gear yoke 17-7
governor 12-5, 12-7
governor arm 12-3
governor cable 9-13
governor cable bracket 9-13
governor shaft installation tool 17-7
governor shield 9-9, 9-11
grip, pencil 5-3, 5-5
grommet 9-3
guide
 intake valve 7-9, 8-9
 valve 8-9
 valve seat cutter 17-11
guide ring adhesive 17-3

H

hand rail 1-33, 1-35, 1-37, 1-39
handle, battery charger 16-5
handle, FNR 12-11
handrail connector tube 1-31, 1-35, 1-37, 1-39
hardware kit, charger 16-3
hardware, F-terminal 6-15
harness, instrument panel 6-3, 6-13, 13-3
harness, wire 6-9, 13-7
head gasket 7-9, 8-9
head, cylinder 8-9
head, FE290 7-9
heatsink 13-15, 16-5
heatsink and rectifier 16-3, 16-7, 16-9, 16-11
helical gear 7-13, 8-13, 12-5, 12-7, 12-9
hinge plate 1-15
hip restraint 1-15, 1-31, 1-35, 1-37, 1-39
hold-down, fuel tank 9-3
hoop, bag 1-17
hose, air intake 9-15
hose, fuel 9-3
hose, SPWS 13-11
housing

3-pin 14-3, 14-5, 14-7
differential 15-3, 15-5
fan 7-3, 8-3
field coil 6-15
hub 5-15
hub, front 5-15
hub, synchronizer clutch 12-5, 12-7
hubcap 5-15
hydraulic brake adjuster 17-7
hydrometer 17-7

I

idle screw assembly 9-5, 9-7
idler bearing 11-3
idler gear, differential 15-3, 15-5
ignition coil 7-5, 8-5
inner frame snubber 7-15, 8-15
input shaft 12-5, 15-3, 15-5
insert, synchronizer 12-5, 12-7
instrument panel 6-3, 13-3
instrument panel harness 6-3, 6-13, 13-3
insulated bushing 14-3, 14-5
insulator gasket 7-9, 8-9, 9-9, 9-11
insulator, carburetor 9-9, 9-11, 14-3, 14-5
intake assembly 9-15
intake cover 9-15
intake hose 9-15
intake pipe 9-9, 9-11
intake valve 7-9, 8-9
intermediate shaft 15-3, 15-5
internal retaining ring pliers 17-7
IQ display module (IQDM) 17-7

J

J-clip 1-19
jet, main 9-5, 9-7
jet, pilot 9-5, 9-7
joint
 ball 5-11
jounce bumper 1-35, 1-37, 1-39, 5-21
jounce bumper bracket 1-35, 1-37, 1-39, 5-21

K

key
 crankshaft 7-5, 7-13, 8-5, 8-13
 driven clutch 11-7
 On/Off 6-3, 13-3
 square 11-7
 starter/generator 6-15
 woodruff 12-3
key switch 6-3, 13-3
key switch cap 6-3, 13-3
kick plate 1-11
kick plate, body 1-11, 1-13

INDEX

- king pin 5-15
- Kit
 - PD3 Cordest, AC 114" 16-3
 - PD3 Cordest, AC 80" 16-3
 - PD3 Cordest, DC 113" 16-3
 - PD3 Cordest, DC 154" 16-3
 - PD3 Cordest, DC 205" 16-3
- kit
 - 3-pin housing 14-3, 14-5, 14-7
 - brake pedal adjustment tool 17-3
 - brake shoe retainer 4-3
 - canopy component 1-29
 - clutch repair 11-7
 - differential gear case 12-9
 - drive clutch button 11-3
 - drive clutch weight 11-3
 - driven clutch button 11-7
 - four-passenger 1-39
 - front hub replacement 5-15
 - impulse fuel pump rebuild 9-3
 - IQ display module (IQDM) 17-7
 - magnet and bearing 14-3, 14-5
 - motor brush 14-7
 - motor brush spring 14-7
 - motor cover plate 14-7
 - motor speed sensor 14-7
 - motor terminal hardware 14-7
 - neutral lockout cam 12-11
 - PD3 hardware 16-3
 - PD3 wiring 16-3
 - shock absorber cushion 5-17, 5-19, 5-21
 - tune-up 17-9
- kit, comfort grip steering wheel 5-3
- kit, SPWS (single-point watering system) 13-11
- L**
 - lash adjuster 8-11
 - L-bracket, motor 14-7
 - leaf spring 1-35, 1-37, 1-39, 5-15, 5-17, 5-19, 5-21
 - legs, charger 16-3
 - lever
 - change 12-3
 - choke 1-11, 9-15
 - light
 - battery 13-3
 - oil 6-3
 - limit switch 12-11
 - limiter
 - current 16-11
 - RPM 7-5, 8-5
 - line, fuel 9-3, 9-9, 9-11
 - liquid gasket 12-3, 15-3, 15-5, 17-7
 - low oil warning light 6-3
 - lubricant, dry moly 17-7
 - lubricant, moly-teflon 14-3, 14-5, 14-7, 17-7
 - lug nut 2-3, 2-5
 - lug stud 5-15, 12-9, 15-3, 15-5
- M**
 - magnet and bearing kit 14-3, 14-5
 - magnet, speed sensor 14-3, 14-5, 14-7
 - main jet 9-5, 9-7
 - main nozzle 9-5
 - manifold, SPWS 13-11
 - mat, floor 1-9, 1-33, 1-35, 1-37, 1-39
 - MCOR 4-13
 - mechanism, brake adjusting 4-3
 - meter, volt ohm 17-11
 - module
 - calibration test 17-3
 - communication display 17-5
 - moly-teflon lubricant 17-7
 - motor
 - 48-volt 14-5
 - 48-volt IQ 14-3, 14-7
 - motor armature 14-3, 14-5
 - motor brush 14-3, 14-5
 - motor brush kit 14-7
 - motor brush spring kit 14-7
 - motor bumper 14-3, 14-5, 14-7
 - motor controller 13-15
 - motor end cap 14-3, 14-5, 14-7
 - motor end shield 14-3, 14-5
 - motor L-bracket 14-7
 - motor magnet, speed sensor 14-3, 14-5, 14-7
 - motor speed controller 13-15
 - motor speed sensor 14-3, 14-5, 14-7
 - motor speed sensor kit 14-7
 - motor stator shell and winding 14-3, 14-5
 - motor terminal hardware kit 14-7
 - moveable-face 11-3, 11-7
 - muffler hose clamp 10-3, 10-5
- N**
 - nameplate 1-5
 - needle bearing 12-5, 12-7
 - neutral lockout cam 12-11
 - nozzle, main 9-5, 9-7
 - nut, lug 2-3, 2-5
- O**
 - oil filler tube 7-3, 8-3
 - oil filter 7-7, 8-7
 - oil filter mount bracket 7-7, 8-7
 - oil filter screen 7-11, 8-11
 - oil filter screen plate 7-11, 8-11
 - oil level sensor 7-11, 8-11
 - oil level switch bracket 7-11, 8-11
 - oil pump and rotor 7-7, 8-7
 - oil pump cover 7-7, 8-7
 - oil pump filter 8-7
 - oil pump gasket 7-7
 - oil pump plate 7-7, 8-7
 - oil seal 7-9, 7-13, 8-9, 8-11, 8-13, 12-3, 12-5, 12-7
 - oil warning light, low 6-3
 - onboard computer (v 3.0) 13-15
 - O-ring 7-3, 7-9, 7-11, 7-13, 8-3, 8-9, 8-11, 8-13
 - o-ring, ring, O 13-11
- P**
 - pad
 - accelerator pedal 4-11, 4-13
 - brake pedal 4-11, 4-13
 - park brake pedal 4-11, 4-13
 - paint, touch-up 17-7
 - panel, access 1-19
 - panel, beauty
 - front body 1-5
 - rear body 1-19
 - panel, SAM 1-17
 - park brake pad 4-11, 4-13
 - pedal assembly 4-11, 4-13
 - pedal group 4-11, 4-13
 - pedal spring kit 4-11, 4-13
 - pencil grip 5-3, 5-5
 - pilot air screw 9-5
 - pilot air screw assembly 9-7
 - pilot jet 9-5, 9-7
 - pin, differential 12-9
 - pin, king 5-15
 - pin, piston 7-13, 8-13
 - pinion, steering 5-11
 - pipe, intake 9-9, 9-11
 - piston 7-13, 8-13
 - piston pin 8-13
 - piston ring 7-13, 8-13
 - piston ring compressor 17-9
 - piston ring pliers 17-9
 - piston ring set 8-13
 - pivot arm 12-3
 - plate
 - backing (brake) 4-3
 - cover 14-7
 - engine mounting 7-15, 8-15
 - flywheel fan 7-5, 8-5
 - hinge 1-15
 - kick 1-11
 - oil filter screen 7-11, 8-11
 - oil pump 7-7, 8-7
 - score card 5-5
 - thrust 12-5, 12-7, 12-9

INDEX

plate, component mounting 13-15
plate, floor cover 4-7, 4-9
pliers
 internal retaining ring 17-7
 piston ring 17-9
 retaining ring 17-9
plug
 drain 7-7, 8-7
 driven clutch puller 17-5
 fill 12-3
 spark 7-5, 8-5
plug cap 8-5
pole set 6-15
press weldment 17-5
protector spray, battery terminal 17-3
puller
 bearing 17-3
 clutch 17-3
 drive clutch 17-5
 drive clutch hub 17-5
 driven clutch cam 17-5
 flywheel 17-7
 seal 17-9
 special use tool 17-9
pulley
 clutch 11-3
 starter-generator 6-15
pump, impulse fuel 9-3
push rod 7-9, 8-9

R

rack and pinion 5-11
rack and pinion steering gear box 5-11
rack, steering 5-11
raaf-facing seat 1-39
reamer, valve guide 17-9
rear body, beauty panel 1-19
receptacle, AC cord 16-11
receptacle, battery charger 13-13
rectifier diode 16-5
rectifier with heatsink 16-3, 16-7, 16-9,
 16-11
regulator, voltage 6-5
relay 16-9, 16-11
relay mounting bracket 16-9
relay, 48-volt 16-5, 16-7
relay, charger board 16-3
remover, bearing and oil seal 17-3
resistor 13-15
restraint, hip 1-15, 1-31, 1-35, 1-37, 1-39
retainer
 bearing 14-3, 14-5
 brake shoe 4-3
 shock absorber cushion 5-17, 5-19,
 5-21
 spring (drive clutch) 11-3

valve spring 7-9, 8-9
retainer, floormat 1-9
retaining ring pliers 17-9
return spring, brake 4-11, 4-13
reverse buzzer 6-3, 13-3
rigging, brush 14-3, 14-5
ring
 piston 7-13, 8-13
 retaining 11-3, 11-7, 12-11
 snap 7-9, 7-13, 8-9, 8-13
 spiral backup 11-3
 synchronizer 12-5, 12-7
ring, piston 8-13
rocker arm 7-9, 8-9
rocker case 7-9, 8-9
rocker case gasket 7-9, 8-9
rocker shaft 7-9, 8-9
rocker switch 13-9
rod
 brake 4-11, 4-13
 connecting 7-13, 8-13
 crankshaft 7-13, 8-13
 push 7-9, 8-9
 shift 12-5, 12-7
rotor, oil pump and 7-7, 8-7
RPM limiter 7-5, 8-5
RPM limiter bracket 7-5, 8-5
RPM limiter damper 7-5, 8-5
RPM limiter mount band 7-5, 8-5

S

safety first card 17-9
SAM 1-17
SAM (structural accessory module) 1-17
SAM cap 1-23
SAM panel 1-17
score card clip 5-3, 5-5
score card holder 5-3
score card plate 5-3, 5-5
screen, oil filter 7-11, 8-11
screw, eccentric adjustment 5-15
screw, valve clearance adjuster 17-9
seal
 crankshaft 7-11
 dust 5-11
 lip 15-3, 15-5
 oil 7-9, 7-13, 8-9, 8-11, 8-13, 12-3,
 12-5, 12-7, 12-9, 15-3, 15-5
seal puller 17-9
sealant 12-3, 15-3, 15-5
seat
 spring 7-9, 8-9
 valve 7-7, 8-7
seat bottom 1-15, 1-31, 1-35, 1-37, 1-39
seat bracket 1-31, 1-35, 1-37, 1-39
sensor, motor speed 14-3, 14-5, 14-7

sensor, oil level 7-11, 8-11
sensor, speed 14-3, 14-5
set, brush and screw 6-15
set, pole 6-15
shackle 5-17, 5-19, 5-21
shaft
 change 12-3
 counterbalance guide 7-13, 8-13
 input 12-5, 15-3, 15-5
 intermediate 15-3, 15-5
 rocker 7-9, 8-9
 transmission 12-7
shield, governor 9-9, 9-11
shift fork 12-5, 12-7
shift lever 12-3
shift rod 12-5, 12-7
shifter, FNR 12-11
shim, camshaft 8-11
shim, crankshaft 7-13, 8-13
shock absorber (front) 5-13
shock absorber (rear) 5-17, 5-19, 5-21
shock absorber cushion 5-17, 5-19, 5-21
shock absorber cushion retainer 5-17,
 5-19, 5-21
shock mounting bracket 5-17, 5-19, 5-21
shoe, braking 4-3
shroud 8-3
shroud, engine 7-3, 8-3
shroud, fan 7-3, 8-3
single-point watering system 13-11
sleeve 5-13, 5-15, 5-17, 5-19, 5-21
 governor 12-5, 12-7
 synchronizer 12-5, 12-7
snap ring 7-9, 7-13, 8-9, 8-13
snubber bracket 7-15, 8-15
snubber, inner frame 7-15, 8-15
solenoid, 12-volt 6-5
solenoid, 48-volt 13-15
spanner wrench 17-9
spark plug 7-5, 8-5
spark plug cap 7-5
speed controller 13-15
speed sensor 14-3, 14-5, 14-7
speed sensor magnet 14-3, 14-5, 14-7
speed sensor, motor 14-3, 14-5, 14-7
spindle 5-15
spiral backup ring 11-3
spray, battery terminal protector 17-3
spring
 brake 4-3
 brake return 4-11, 4-13
 brush 6-15, 14-3, 14-5, 14-7
 compression 1-11, 5-3, 5-5, 9-15
 drive button 11-3
 drive clutch 11-3
 driven clutch 11-7

INDEX

engine valve 7-9
forward/reverse cam 12-11
leaf 1-35, 1-37, 1-39, 5-15, 5-17, 5-19, 5-21
shifter 12-5, 12-7
synchronizer 12-5, 12-7
throttle return 9-9, 9-11
valve 8-9
spur gear 7-13, 8-13, 12-5, 12-7
SPWS 13-11
SPWS (single-point watering system) kit 13-11
SPWS coupler 13-11
SPWS fitting, swivel T 13-11
SPWS hose 13-11
SPWS manifold 13-11
SPWS tubing 13-11
stand-offs, plastic 16-3
starter/generator 6-15
starter/generator belt 6-17, 6-19, 11-3
starter/generator mounting bracket 6-17
starter/generator pulley 6-15
stator shell and winding 14-3, 14-5
steel pressure relief ball 7-7, 8-7
steering column 5-7, 5-9
steering column bearing press tool 17-9
steering column cover 5-3
steering column retaining ring tool 17-9
steering gear 5-11
steering pinion 5-11
steering rack 5-11
steering wheel 5-3
steering wheel (comfort grip) kit 5-3
steering wheel puller tool 17-9
steering, rack and pinion gear box 5-11
stem, valve 2-3, 2-5
stiffener, flywheel side 7-15, 8-15
stiffener, PTO side 8-15
strap, bag 1-17
stud 7-15, 8-15
 ball 12-11
 lug 5-15, 12-9, 15-3, 15-5
suppressor, voltage 16-7, 16-9, 16-11
suspension, front structure 5-13
switch
 four-position 16-9, 16-11
 key 6-3, 13-3
 limit 12-11
 rocker 13-9
 Tow/Run 13-9
switch rubber boot 13-9
synchro gear 12-5, 12-7
synchronizer clutch hub 12-5, 12-7
synchronizer insert 12-5, 12-7
synchronizer sleeve 12-5, 12-7
synchronizer spring 12-5, 12-7

T

12-volt battery 6-5
12-volt solenoid 6-5
tachometer 17-9
tachometer probe, diesel 17-9
tank, fuel 9-3
tape, foam 1-19
tappet 7-11
tester, continuity 17-5
thermometer, battery 17-3
throttle return spring 9-9, 9-11
throttle spring return bracket 9-9, 9-11
thrust plate 12-5, 12-7, 12-9
tie rod end 5-11
tire 2-3, 2-5
tool
 accelerator pedal adjustment 17-3
 belt tensioning, starter/generator 17-11
 brake adjustment 17-3
 brake cable release 17-3
 brake pedal adjustment 17-3
 brake pedal tension 17-3
 cam installation 17-3
 carburetor float level 17-7
 charger bezel 17-3
 clutch alignment 17-5
 cT-wrench 17-5
 drive clutch fixed sheave 17-5
 drive clutch holder 17-5
 drive clutch spider removal 17-5
 driven clutch spring compression base 17-5
 driven clutch spring compression collar 17-5
 driven clutch spring compression nut 17-5
 governor shaft installation 17-7
 puller, special use 17-9
 steering column bearing press 17-9
 steering column retaining ring 17-9
 steering wheel puller 17-9
 transaxle axle seal 17-9
 transaxle pinion seal 17-9
 transmission 17-9
 valve guide driver 17-9
 valve seat cutter 17-5
tool kit, clutch 17-5
touch-up paint 17-7
tow switch diode 13-7
Tow/Run switch 13-9
transaxle 15-3, 15-5
transaxle axle seal tool 17-9
transaxle housing 15-3, 15-5
transaxle pinion seal tool 17-9
transaxle, unitized 12-3
transformer 16-3

transformer, battery charger 16-5, 16-7, 16-9, 16-11
transmission shaft 12-7
transmission tool 17-9
tube
 crankcase vent 9-9, 9-11
 oil filler 7-3, 8-3
tube, fuel pickup 9-3
tubing, SPWS 13-11
tune-up kit 17-9
T-wrench tool 17-5

U

U-bolt 1-35, 1-37, 1-39, 5-21
u-bolt 5-17, 5-19
underbody 1-19
underbody cover 1-31, 1-35, 1-37, 1-39
underbody cover kit 1-23
underbody, rear 1-19
unitized transaxle 12-3

V

valve
 exhaust 7-9, 8-9
 intake 7-9, 8-9
 reed 7-9, 8-9
valve clearance adjuster screw 17-9
valve guide 8-9
valve guide driver tool 17-9
valve guide reamer 17-9
valve guide, intake 7-9, 8-9
valve seat 7-7, 8-7
valve seat cutter 17-5, 17-11
valve seat cutter guide 17-11
valve seat cutter tool 17-5
valve seat t-wrench 17-11
valve spring 8-9
valve spring compressor 17-11
valve spring retainer 7-9, 8-9
valve stem 2-3, 2-5
vent barb 9-3
volt ohm meter 17-11
voltage regulator 6-5
voltage suppressor 16-7, 16-9, 16-11

W

warning light, low oil 6-3
watering system, single-point 13-11
wedge, bearing puller 17-3
weight
 clutch 11-3
 counterbalance 7-13, 8-13
 secondary clutch 11-3
weldment
 press 17-5

INDEX

wheel 2-3, 2-5
wheel and tire 5-5
wheel, steering 5-3
wire harness 6-9, 13-7
wiring, charger 16-3
woodruff key 12-3
wrench, spanner 17-9

Y

yoke support 5-11
yoke, gear 17-7



Club Car, Inc.
P.O. Box 204658
Augusta, GA 30917-4658
USA

Web www.clubcar.com
Phone 1.706.863.3000
1.800.ClubCar
Int'l +1 706.863.3000
Fax 1.706.863.5808